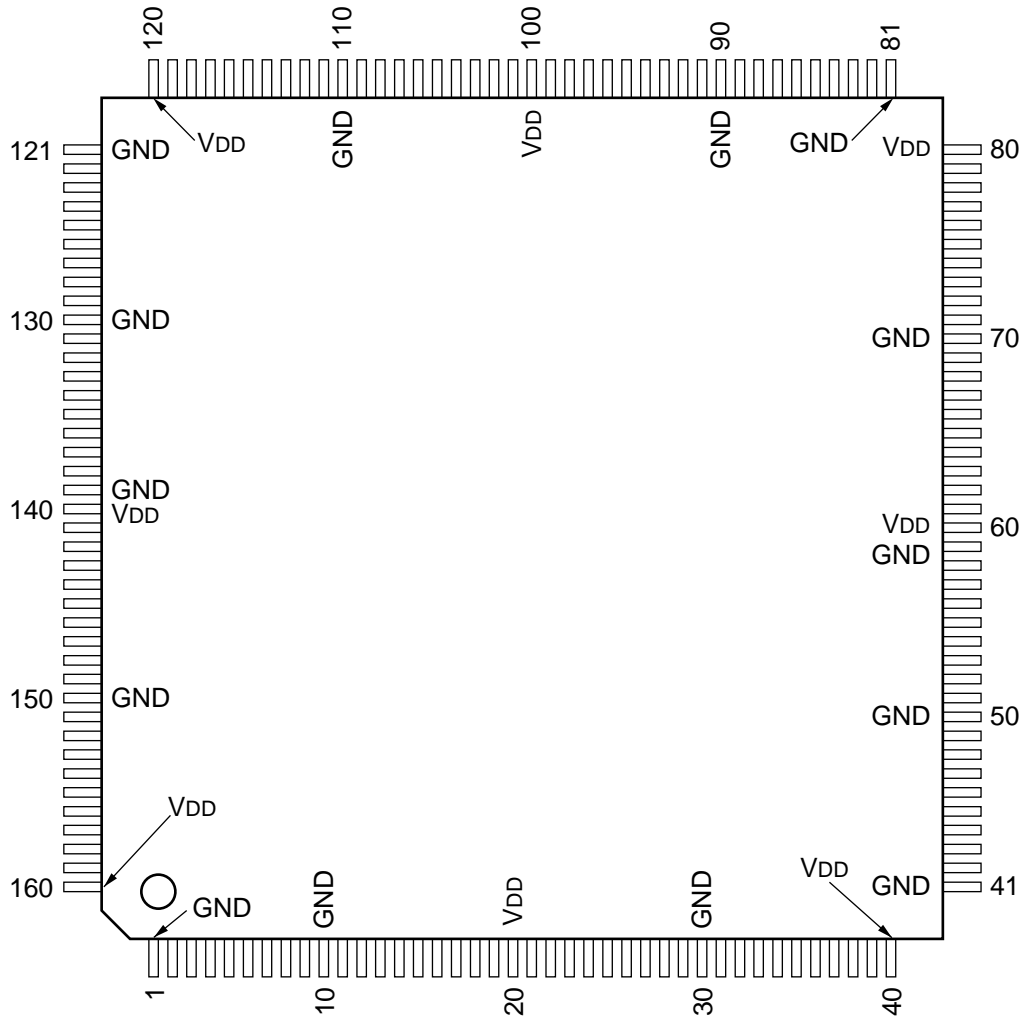


C-MOS KEY PROCESSOR

—TOP VIEW—



PIN No.	I/O	SIGNAL	PIN No.	I/O	SIGNAL	PIN No.	I/O	SIGNAL	PIN No.	I/O	SIGNAL
1	—	GND	41	—	GND	81	—	GND	121	—	GND
2	I	RST	42	O	KEY2 6	82	O	KEY1 3	122	O	VIDEO 2
3	I	TEST 1	43	O	KEY2 5	83	O	KEY1 4	123	O	VIDEO 3
4	I	TEST 0	44	O	KEY2 4	84	O	KEY1 5	124	O	VIDEO 4
5	I	MSRC 14	45	O	KEY2 3	85	O	KEY1 6	125	O	VIDEO 5
6	I	MSRC 13	46	O	KEY2 2	86	O	KEY1 7	126	O	VIDEO 6
7	I	MSRC 12	47	O	KEY2 1	87	O	KEY1 8	127	O	VIDEO 7
8	I	MSRC 11	48	O	KEY2 0	88	O	KEY1 9	128	O	VIDEO 8
9	I	MSRC 10	49	I	DLKY 11	89	O	KEY1 10	129	O	VIDEO 9
10	—	GND	50	—	GND	90	—	GND	130	—	GND
11	I	MSRC 9	51	I	DLKY 10	91	O	KEY1 11	131	O	VIDEO 10
12	I	MSRC 8	52	I	DLKY 9	92	I	BORD 0	132	O	VIDEO 11
13	I	MSRC 7	53	I	DLKY 8	93	I	BORD 1	133	I	KSRC 14
14	I	MSRC 6	54	I	DLKY 7	94	I	BORD 2	134	I	KSRC 13
15	I	MSRC 5	55	I	DLKY 6	95	I	BORD 3	135	I	KSRC 12
16	I	MSRC 4	56	I	DLKY 5	96	I	BORD 4	136	I	KSRC 11
17	I	MSRC 3	57	I	DLKY 4	97	I	BORD 5	137	I	KSRC 10
18	I	MSRC 2	58	I	DLKY 3	98	I	BORD 6	138	I	KSRC 9
19	I	MSRC 1	59	—	GND	99	I	BORD 7	139	—	GND
20	—	VDD	60	—	VDD	100	—	VDD	140	—	VDD
21	I	MSRC 0	61	I	DLKY 2	101	I	BORD 8	141	I	KSRC 8
22	I	MASK 11	62	I	DLKY 1	102	I	BORD 9	142	I	KSRC 7
23	I	MASK 10	63	I	DLKY 0	103	I	BORD 10	143	I	KSRC 6
24	I	MASK 9	64	I	BDKY 11	104	I	BORD 11	144	I	KSRC 5
25	I	MASK 8	65	I	BDKY 10	105	I	FILL 0	145	I	KSRC 4
26	I	MASK 7	66	I	BDKY 9	106	I	FILL 1	146	I	KSRC 3
27	I	MASK 6	67	I	BDKY 8	107	I	FILL 2	147	I	KSRC 2
28	I	MASK 5	68	I	BDKY 7	108	I	FILL 3	148	I	KSRC 1
29	I	MASK 4	69	I	BDKY 6	109	I	FILL 4	149	I	KSRC 0
30	—	GND	70	—	GND	110	—	GND	150	—	GND
31	I	MASK 3	71	I	BDKY 5	111	I	FILL 5	151	I	CK
32	I	MASK 2	72	I	BDKY 4	112	I	FILL 6	152	I	CTMG
33	I	MASK 1	73	I	BDKY 3	113	I	FILL 7	153	I	BLANK
34	I	MASK 0	74	I	BDKY 2	114	I	FILL 8	154	I	CKX
35	O	KEY2 11	75	I	BDKY 1	115	I	FILL 9	155	I	CS1
36	O	KEY2 10	76	I	BDKY 0	116	I	FILL 10	156	I	CS0
37	O	KEY2 9	77	O	KEY1 0	117	I	FILL 11	157	I/O	SDAT
38	O	KEY2 8	78	O	KEY1 1	118	O	VIDEO 0	158	I	SADD
39	O	KEY2 7	79	O	KEY1 2	119	O	VIDEO 1	159	I	CKD
40	—	VDD	80	—	VDD	120	—	VDD	160	—	VDD

INPUT

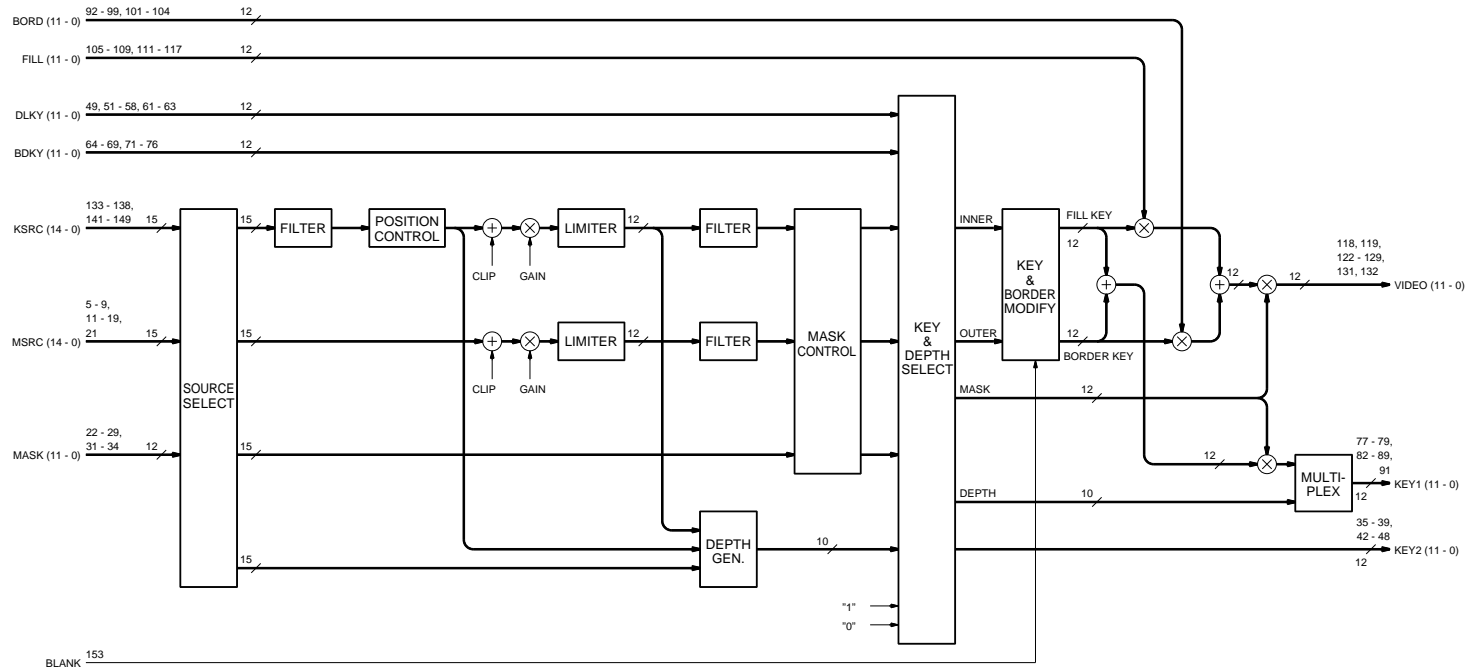
BDKY (11 - 0) ; BORDER KEY FROM BORDER PROCESSOR (1.11BIT KEY SIGNAL)
BLANK ; BLANKING PULSE
BORD (11 - 0) ; BORDER VIDEO (12BIT)
CK ; SYSTEM CLOCK
CKD ; SERIAL CONTROL CLOCK
CKX ; SWITCHING TIMING PULSE
CS1, CS0 ; CHIP SELECT
CTMG ; COLOR TIMING
DLKY (11 - 0) ; DELAYED KEY FROM BORDER PROCESSOR (1.11BIT KEY SIGNAL)
FILL (11 - 0) ; FILL VIDEO (12BIT)
KSRC (14 - 0) ; KEY SOURCE (2'S COMPLEMENT 15BIT)
MASK (11 - 0) ; MASK KEY (1.11BIT KEY SIGNAL)
MSRC (14 - 0) ; MASK SOURCE (2'S COMPLEMENT 15BIT)
RST ; RESET PULSE
SADD ; SERIAL ADDRESS
TEST 1, TEST 0 ; TEST MODE SET

OUTPUT

KEY1(11 - 0) ; PROCESSED KEY AND BORDER (1.11BIT KEY SIGNAL)
KEY2(11 - 0) ; KEY OUT FOR BORDER PROCESSOR (1.11BIT KEY SIGNAL)
VIDEO(11 - 0) ; PROCESSED VIDEO FILL AND BORDER

INPUT/OUTPUT

SDAT ; SERIAL DATA



153

