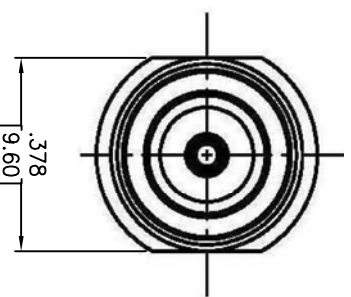
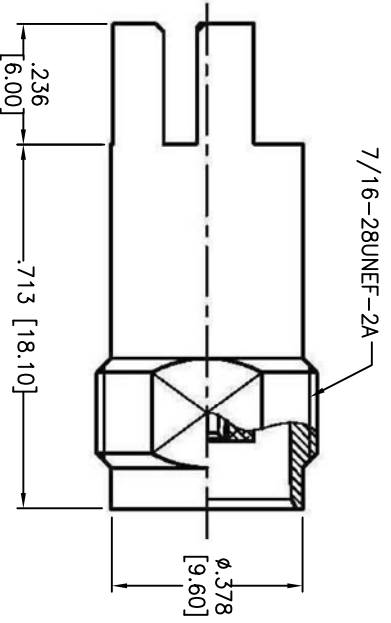
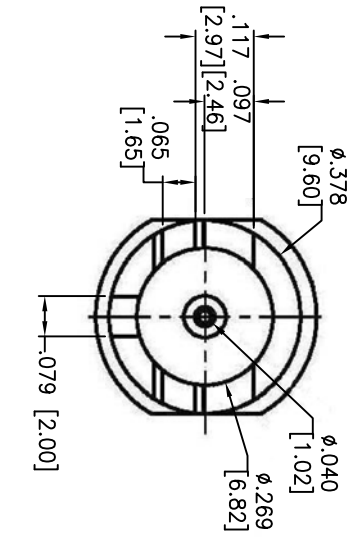


Rev	AWO #	Description	Date	Appr
-	10525	RELEASED	7/09/10	

APPROVED: _____
 DATE: _____ TITLE: _____



SPECIFICATIONS:

Electrical:
 Nominal Impedance: 50 ohms
 Frequency range: 0-11 GHz
 Working Voltage: 500 VRMS max.
 Dielectric Withstanding Voltage: 1500 VRMS min.
 Contact Resistance: 1.5 Milliohms max. (Center Contact)
 0.5 Milliohms max. (Outer Contact)
 Insulator Resistance: 5000 Megohms min.
 Temperature Range: -55°C to +125°C
 Environmental:
 Lead free, RoHS compliant.

UNLESS OTHERWISE SPECIFIED
 ALL DIMENSIONS ARE INCHES [MM]
 TOLERANCES: EXCEPT AS NOTED

INCHES	HOLES
.X ± .10	Ø.X ± .10
.XX ± .020	Ø.XXX ± .015
.XXX ± .015	Ø.XXX ± .010

APPROVALS

DATE	DATE
DRAWN DY	9/08/10
CHECKED	
APPROVED	

ADAM TECH
 909 Rahway Avenue, Union, NJ 07083
 Phone: 908-687-5000 Fax: 908-687-5710

TITLE	TNC FEMALE CONNECTOR
SIZE	PART NO.
X	RF7-17-T-00-50
REF:	S00049T
SCALE:	NTS
SHEET	1 OF 1



6 5 4 3 2 1