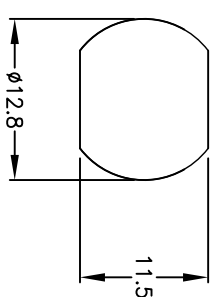
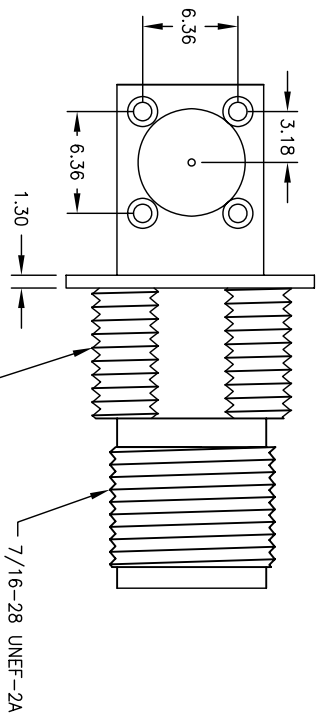
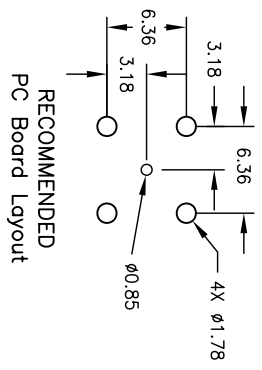
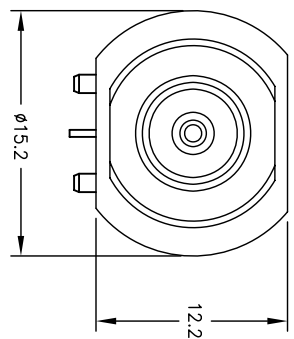
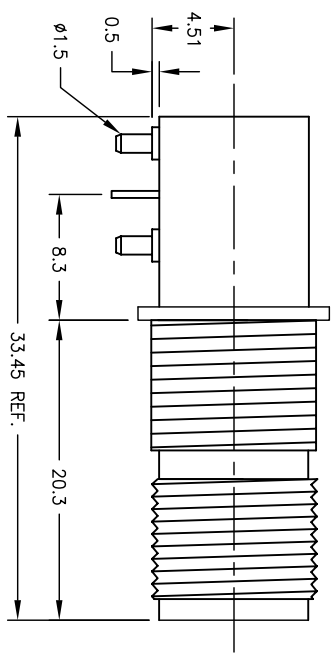
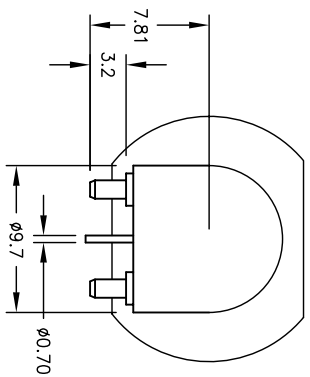


Rev	AWO #	Description	Date	Appr
-	6214	RELEASED	2/17/06	

APPROVED: _____ TITLE: _____
 DATE: _____



RECOMMENDED
 PANEL CUTOUT
 MAX PANEL THICKNESS: 5.5mm

SPECIFICATIONS

Material:
 Insulator: TPX
 Body: Zinc Alloy, Nickel plated
 Contact insulation: Teflon
 Contacts: Phosphor Bronze, Gold and Tin plated.
 Electrical
 Nominal Impedance: 50 Ohms
 Frequency Range: 0 – 4 GHz
 Maximum Peak Voltage: 500V
 Insulation Resistance: 5000 Mohms min @ 500 VDC
 Dielectric Withstanding Voltage: 1500 VAC rms.
 Environmental:
 Lead free, RoHS compliant.
 Recommended soldering temp: 235 for 5 sec.



ADAM TECH

909 Railway Avenue, Union, NJ 07083
 Phone: 908-687-5000 Fax: 908-687-5710

TITLE: TNC, RIGHT ANGLE CONNECTOR, PCB,
 50 OHM

UNLESS OTHERWISE SPECIFIED ALL DIMENSIONS ARE MM [INCHES] TOLERANCES: EXCEPT AS NOTED		INCHES		HOLDS	
.X	± .10	ØX	± .10		
.XX	± .020	ØXX	± .015		
.XXX	± .015	ØXXX	± .010		
APPROVALS		DATE			
DRAWN	SS	2/17/06			
CHECKED					
APPROVED					
SIZE	PART NO.	REF:	SCALE:	SHEET	REV.
X	RF7-07-T-00-50		NTS	1 OF 1	