

KR Electronics

General Description

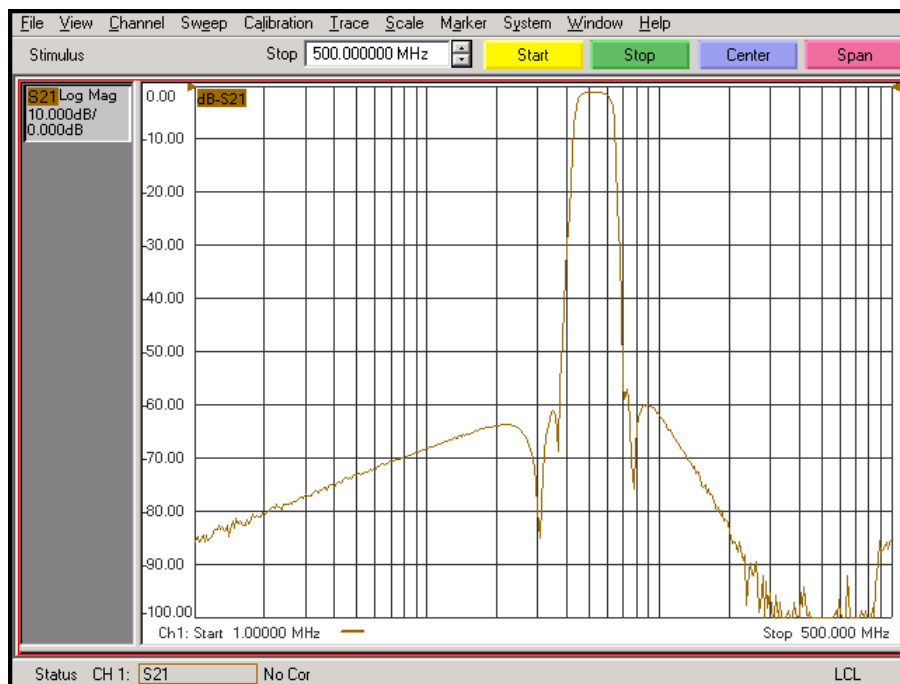
KR Electronics part number 2936-2 is a 36 MHz elliptic band-pass filter. The filter has a minimum 1 dB bandwidth of 8 MHz. Other center frequencies and bandwidths available. Please consult the factory.

Features

- 36 MHz Center Frequency
- 8 MHz minimum 1 dB Bandwidth
- 50 Ω Source and Load
- Surface Mount

Typical Performance

Overall Response (10 dB/div)

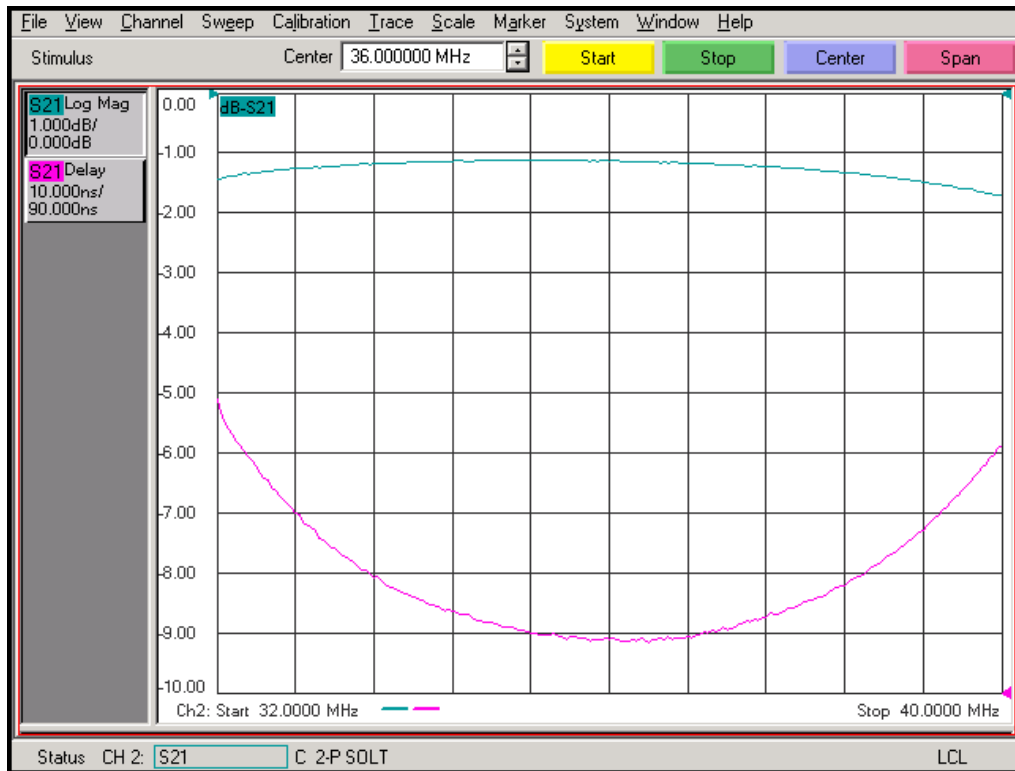


KR Electronics, Inc.
91 Avenel Street
Avenel, NJ 07001

Web www.krfilters.com
Email sales@krfilters.com
Phone (732) 636-1900
Fax (732) 636-1982

Typical Performance

Passband Amplitude & Group Delay (1 dB/div & 10 nsec/div)

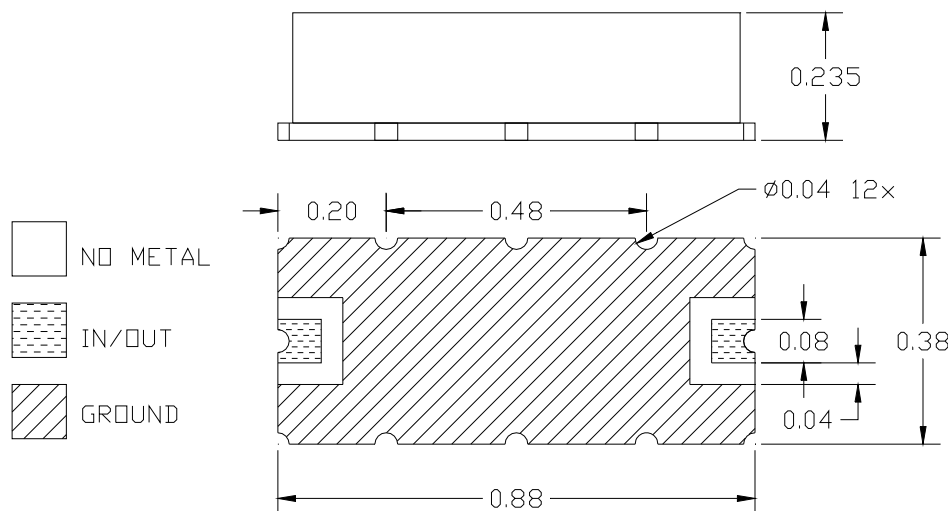


KR Electronics 2936-2

Specifications

Parameter	Specification	
Filter type	Bandpass	
Center Frequency	36 MHz	
Insertion Loss	2.5 dB max	1 dB typical
1 dB Bandwidth	8 MHz min	9.8 MHz typical
Rejection at 25.6 MHz	50 dB min	
Rejection at 46.4 MHz	50 dB min	
Source and Load	50 Ω	

Physical Dimensions



Notes:

1. Surface mount package
2. Dimensions in inches
3. Max reflow temperature 209° C for 10 sec
4. If boards are cleaned after installation units must be completely dried

KR Electronics, Inc.
91 Avenel Street
Avenel, NJ 07001

Web www.krfilters.com
Email sales@krfilters.com
Phone (732) 636-1900
Fax (732) 636-1982