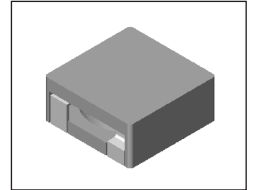


SMT Power Inductor

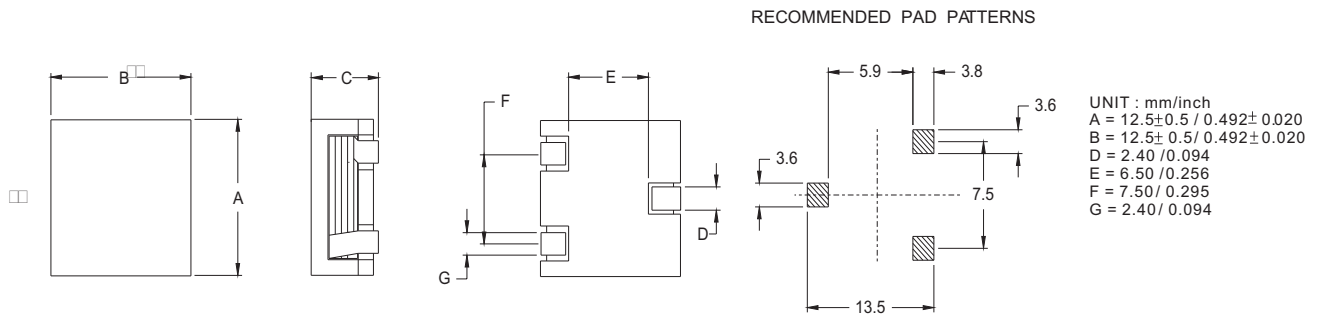
HAU1342, 1350, 1355 & 1375 Type

Features

- RoHS compliant.
- Low profile, SMD type.
- High current.
- Magnetic shielded.
- High energy storage and low DCR.
- Provided with embossed carrier tape packing.
- Ideal for power source circuits, DC-DC converter, DC-AC inverters inductor applications.
- In addition to the standard versions shown here, customized inductors are available to meet your exact requirements.



Mechanical Dimension :



Electrical Characteristics : 25°C, 100KHz, 1V

PART NO.	Lo ¹ (uH)	Li (uH) ±20%	DCR (mΩ) MAX	Isat ² (Adc)	I _{rms} ³ (Adc)	HEIGHT "C" (mm/inch) MAX.
HAU1342-0R8	0.8	0.6	2.5	30	34	4.2 / 0.165
HAU1342-1R4	1.4	1.2	3.4	20	22	4.2 / 0.165
HAU1342-2R2	2.2	1.8	4.3	14	20	4.2 / 0.165
HAU1350-0R7	0.7	0.6	1.2	40	34	5.0 / 0.197
HAU1350-1R2	1.2	0.9	1.5	34	30	5.0 / 0.197
HAU1355-0R3	0.3	0.24	0.6	45	40	5.5 / 0.217
HAU1355-0R7	0.7	0.55	1.2	38	32	5.5 / 0.217
HAU1355-1R2	1.2	0.9	1.5	34	28	5.5 / 0.217
HAU1355-1R9	1.9	1.5	4.0	22	20	5.5 / 0.217
HAU1355-2R7	2.7	2.2	4.7	20	16	5.5 / 0.217
HAU1355-3R6	3.6	2.9	5.6	18	14	5.5 / 0.217
HAU1355-4R8	4.8	3.8	6.4	16	12	5.5 / 0.217
HAU1355-6R4	6.4	5.0	10.0	13	10	5.5 / 0.217
HAU1375-1R2	1.2	0.9	1.5	45	30	7.5 / 0.295

1. Lo is the initial inductance and the tolerance of inductance is ±20%.
2. Isat is the DC current which cause the inductance drop to Li.
3. I_{rms} is the DC current which cause the surface temperature of the part increase less than 45°C.
4. Operating temperature : -20°C to 105°C (including self-temperature rise).



DELTA ELECTRONICS, INC.

(TAOYUAN PLANT CPBG) 252, SAN YING ROAD, KUEISAN INDUSTRIAL ZONE, TAOYUAN SHIEN, 333, TAIWAN, R.O.C.
 TEL: 886-3-3591968; FAX: 886-3-3591991
<http://www.deltawww.com>