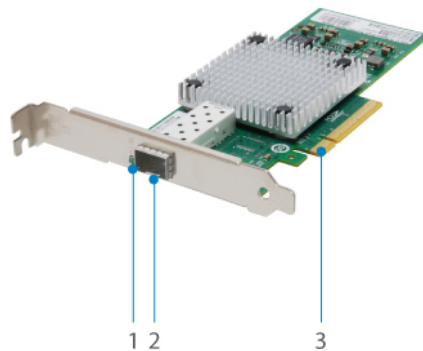


GNC-0201 [redacted] [redacted]: 1

10 Gigabit Fiber PCIe Network Card, SFP Plus, PCIe x8

The LevelOne GNC-0201 Gigabit network card facilitates high-speed connectivity within a fiber-optic network, supporting Dual SFP+ Connectivity and Fibre Channel over Ethernet (FCoE). Wake-on-LAN functionality allows remote start-up and shutdown, with iSCSI remote boot providing further flexibility. GNC-0201 providing advanced load balancing across multiple CPUs, and is compatible with most network operating systems



1. LED Indicator (Link / Activity)
2. Fiber Ports
3. PCI Slot

Key Features

- [redacted] [redacted] [redacted] [redacted] [redacted] [redacted] Wake-on-LAN [redacted]
- Supports Dual SFP+ Connectivity
- Load balancing across multiple CPUs
- Supports iSCSI remote boot
- Supports Fibre Channel over Ethernet (FCoE)
- Supports most network operating systems (NOS)



System Specifications

Standards & Protocols:

- IEEE 802.3 2005* flow control support
- IEEE 802.1Q Virtual LANs (VLANs)
- IEEE 802.1p Quality of Service (QoS)
- IEEE 802.3ad Link Aggregation Control Protocol (LACP)



Connectors and Cabling:

10G SFP+ Port
PCI Express* v2.0 (5.0 GT/s) x8/x4/x2/x1

Indicator:

Link/Activity

Power:

4.5w

Features

General:

64 Tx and 64 Rx queues, Receive Side Coalescing (RSC), low latency interrupts, Intel® Ethernet Flow Director, Intel® Virtualization Technology for Connectivity (Intel® VT-c) (VMDq, SR-IOV), FCoE CRC offload, FCoE direct data placement

Management:

Advanced: IPMI pass-through via SMBus or NC-SI, iSCSI boot standard: WoL, PXE remote boot, VLAN filtering

Performance

Jumbo Frame (K):

9.5 K

Environment

Temperature (°C):

Operating: 0 °C~55 °C (32 °F~131 °F)
Storage: -40 °C~70 °C (-40 °F~158 °F)

Humidity (Non-condensing):

Operating: 5% ~ 95%
Storage: 5% ~ 95%

Physical Specifications

Dimensions (W x D x H mm):

165 x 69 x 17 mm

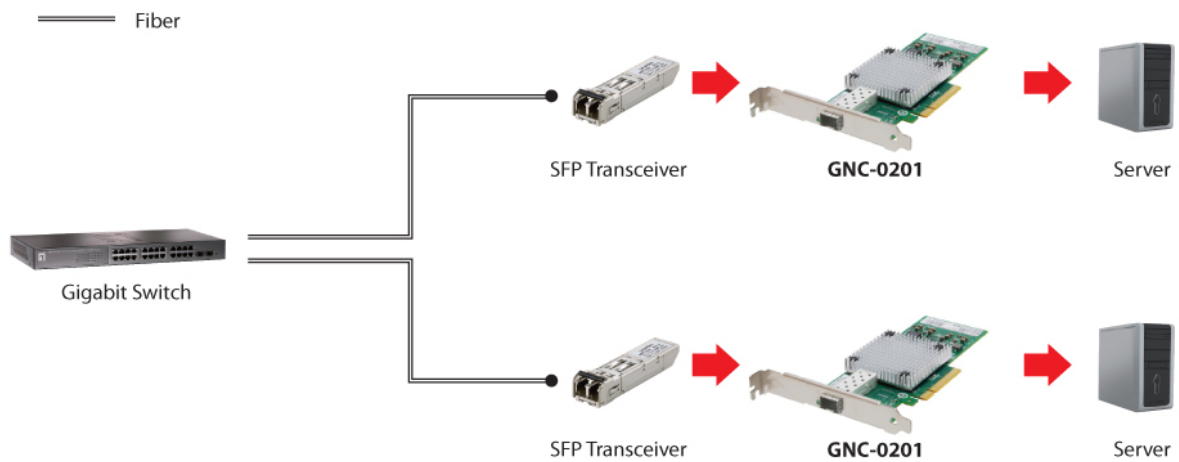
Weight (g):

100g

Others

Operation Systems:

Windows Vista/7/8/8.1
Windows Server 2003/2008/2008 R2/2012/2012 R2
Linux kernel 2.6.30 or greater (x86_64) (w/ SR-IOV support)
FreeBSD 7.2 or later
Linux RHEL 5.6/6.x
Linux SLES 11 SP1
Linux SLES 10 SP4
OS Independent
DOS ODI/NDIS 2
EFI 1.1
UEFI 2.1
Vmware ESX 4.02
VMware Workstation



Order Information

GNC-0201

Package Contents

GNC-0201
Low Profile Bracket
Quick Installation Guide
Resource CD (User Manual, Driver)

No liability or responsibility for any errors or omissions in the content.
Specifications are subject to change without notice.
All mentioned brand names are registered trademarks and property of their owners.
Copyright © Digital Data Communications GmbH, Germany. All Rights Reserved.