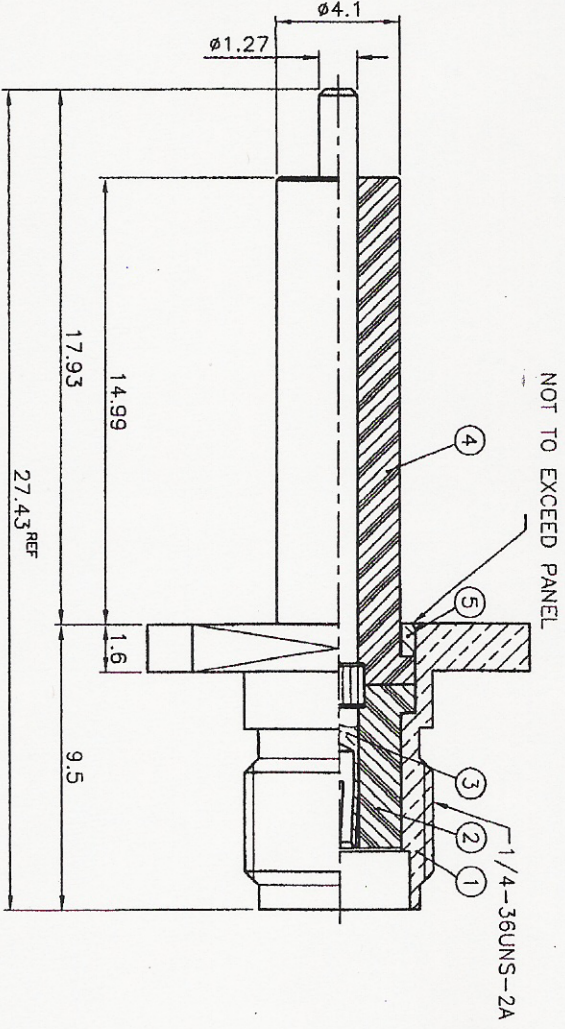
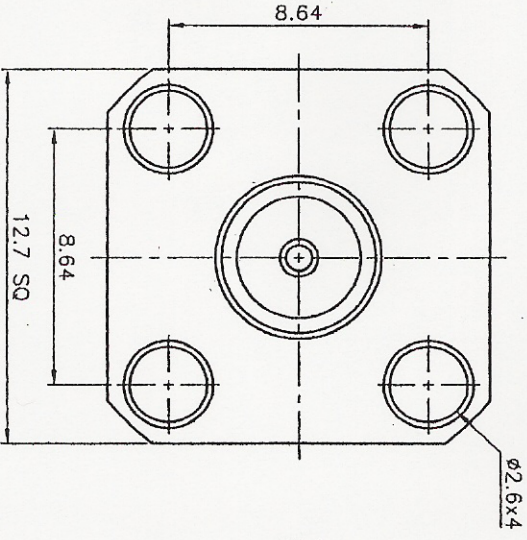


APPROVED: _____ TITLE: _____
 DATE: _____

Rev	AWO #	Description	Date	Appr
-	978	RELEASED	08/03/04	BAS



NOT TO EXCEED PANEL

- Notes:
1. Stainless steel pre QQ-S-764, type 303
 2. Passivated
 3. Gold plated 30u" min over nickel plated 70 min thick over copper strike
 4. Teflon MIL-P-19468
 5. Beryllium copper per QQ-C-530

NO.	DESCRIPTION	MATERIAL	QTY	FINISH
4	LOCK RING	NOTE 1	1	NOTE 2
4	INSULATOR	NOTE 4	1	WHITE
3	CONTACT PIN	NOTE 5	1	NOTE 3
2	INSULATOR	NOTE 4	1	WHITE
1	BODY	NOTE 1	1	NOTE 2

UNLESS OTHERWISE SPECIFIED
 ALL DIMENSIONS ARE MM [INCHES]
 TOLERANCES: EXCEPT AS NOTED
 INCHES: .10 ± .10
 .XX ± .020
 .XXX ± .015
 HOLES: .10 ± .10
 .XX ± .015
 .XXX ± .010

ADAM TECH
 909 Rahway Avenue, Union, NJ 07083
 Phone: 908-687-5000 Fax: 908-687-0214

APPROVALS	DATE	TITLE	SIZE	PART NO.	REV.
DRAWN	BAS	08/03/04	X	RF2-18-T-11-50	-
CHECKED					
APPROVED					

SCALE: NTS SHEET 1 OF 1