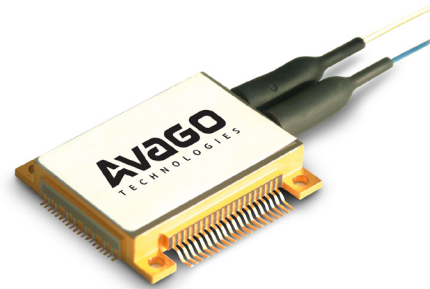


# RX-PMQPSK-40 Series

## 40 Gb/s PM-QPSK Integrated Coherent Receiver



### Product Brief



#### Description

Avago Technologies' 40Gb/s PM-QPSK Integrated Coherent Receiver integrates signal and local oscillator polarization splitters, two matched 90° optical hybrids, four high speed balanced detector pairs and four differential in/out linear TIAs with manual and automatic gain control in a single compact surface-mount package.

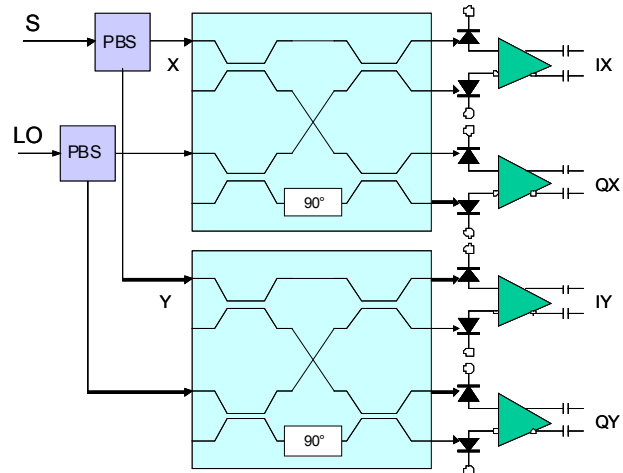
The receiver makes use of Avagos' extensive portfolio of high speed InP based balanced photodetectors (PDs) and Silica Planar Lightguide Circuit (PLC) device technology for the 90° hybrid mixers. It also leverages Avagos' automated hybrid integration platform for mounting the balanced PDs directly onto the PLC chip to provide a highly integrated optical hybrid chip for high performance in a very small footprint.

#### Applications

- Supports 40 Gb/s coherent PM-QPSK optical transmission systems

#### Features

- Complete integrated PM-QPSK coherent receiver functionality in a single package:
  - o Polarization beam splitters
  - o Optical 90° hybrids (coherent mixers)
  - o Balanced photodetectors
  - o Linear differential in/out TIAs
  - o Selectable AGC or manual control
- Baud rate up to 13 GBd
- Package electro-mechanical conforms with OIF-DPC-RX, ver. 1.0
- Operating temperature: -5 °C to +80 °C
- No active temperature control required.



For product information and a complete list of distributors, please go to our web site: [www.avagotech.com](http://www.avagotech.com)

Avago, Avago Technologies, and the A logo are trademarks of Avago Technologies in the United States and other countries. CyOptics and the CyOptics logo are trademarks of CyOptics, Inc. in the United States and other countries. Data subject to change. Copyright © 2005-2013 CyOptics, Inc. All rights reserved. AV02-4135EN - June 5, 2013

