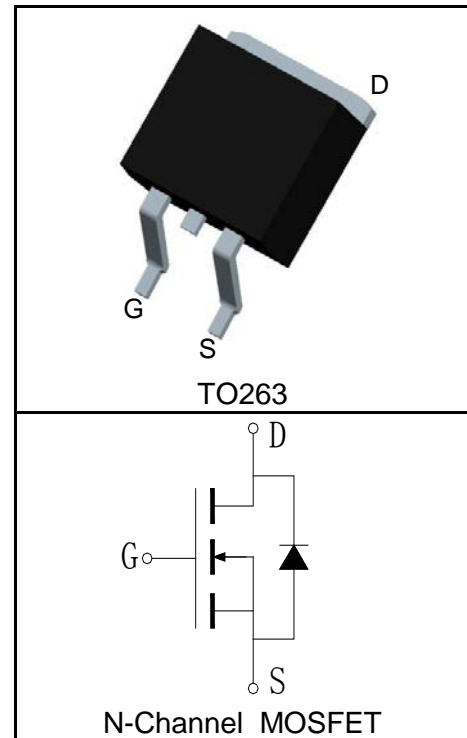


Features

- 100V/130A,
RDS (ON) = 7mΩ(Typ.)@VGS=10V
- Super High Dense Cell Design
- Ultra Low On-Resistance
- 100% avalanche tested
- Lead Free and Green Devices Available (RoHS Compliant)

Applications

- High Efficiency Synchronous Rectification in SMPS
- High Speed Power Switching

Pin Description

Absolute Maximum Ratings

Symbol	Parameter	Rating	Unit
Common Ratings (T _C =25°C Unless Otherwise Noted)			
V _{DSS}	Drain-Source Voltage	100	V
V _{GSS}	Gate-Source Voltage	±25	
T _J	Maximum Junction Temperature	175	°C
T _{STG}	Storage Temperature Range	-55 to 175	°C
I _S	Diode Continuous Forward Current	T _C =25°C 130	A
Mounted on Large Heat Sink			
I _{DP} ^①	300μs Pulse Drain Current Tested	T _C =25°C 520	A
I _D ^②	Continuous Drain Current(V _{GS} =10V)	T _C =25°C 130	A
		T _C =100°C 92	
P _D	Maximum Power Dissipation	T _C =25°C 300	W
		T _C =100°C 150	
R _{θJC}	Thermal Resistance-Junction to Case	0.5	°C/W
R _{θJA}	Thermal Resistance-Junction to Ambient	62.5	°C/W
Drain-Source Avalanche Ratings			
E _{AS} ^③	Avalanche Energy, Single Pulsed	552	mJ

Electrical Characteristics ($T_C=25^{\circ}\text{C}$ Unless Otherwise Noted)

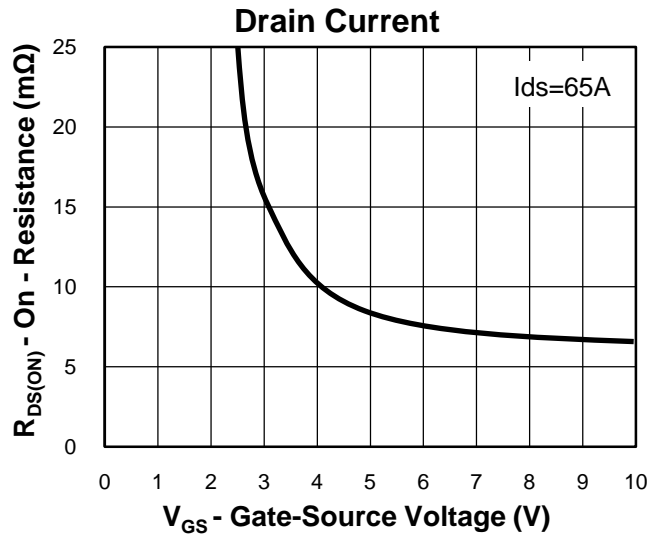
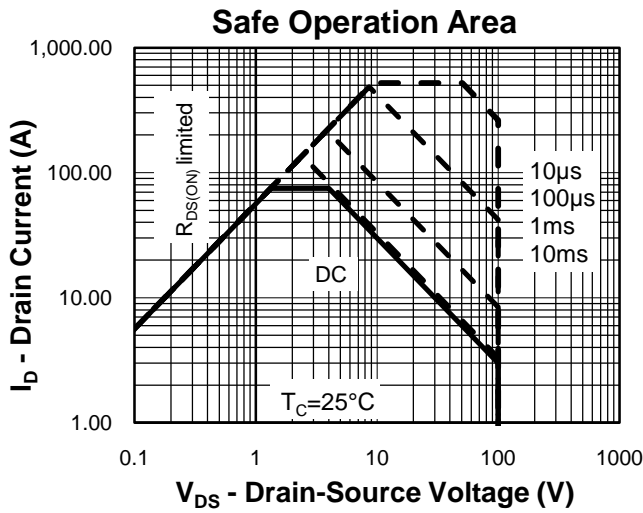
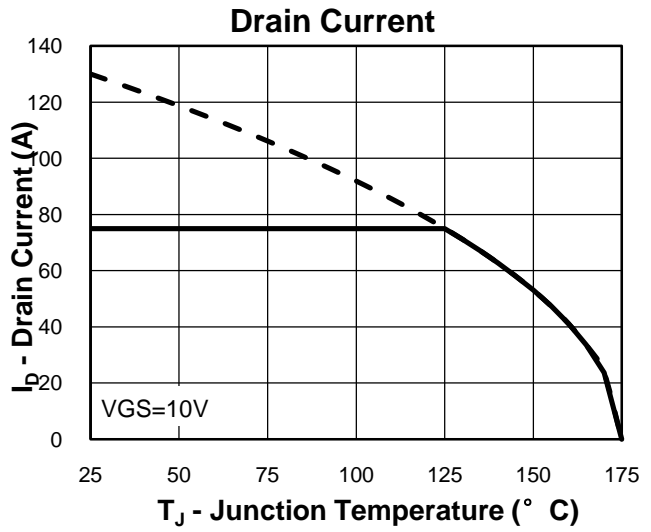
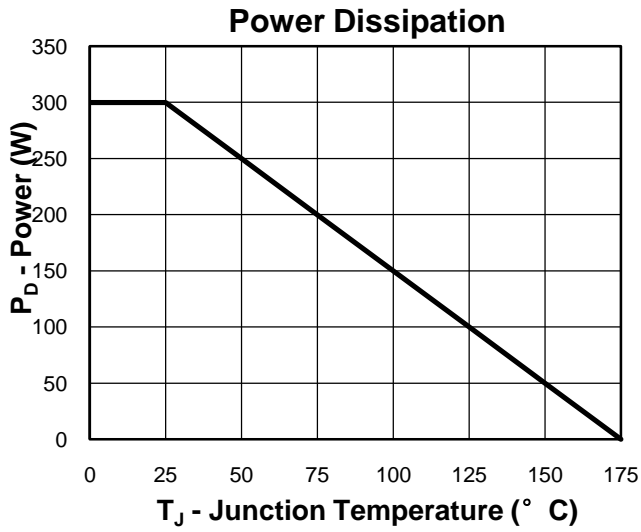
Symbol	Parameter	Test Condition	RU1H130S			Unit
			Min.	Typ.	Max.	
Static Characteristics						
BV_{DSS}	Drain-Source Breakdown Voltage	$V_{GS}=0V, I_{DS}=250\mu A$	100			V
I_{DSS}	Zero Gate Voltage Drain Current	$V_{DS}=100V, V_{GS}=0V$			1	μA
		$T_J=125^{\circ}\text{C}$			30	
$V_{GS(th)}$	Gate Threshold Voltage	$V_{DS}=V_{GS}, I_{DS}=250\mu A$	2		4	V
I_{GSS}	Gate Leakage Current	$V_{GS}=\pm 25V, V_{DS}=0V$			± 100	nA
$R_{DS(ON)}^{(4)}$	Drain-Source On-state Resistance	$V_{GS}=10V, I_{DS}=65A$		7	9	m Ω
Diode Characteristics						
$V_{SD}^{(4)}$	Diode Forward Voltage	$I_{SD}=65A, V_{GS}=0V$			1.2	V
t_{rr}	Reverse Recovery Time	$I_{SD}=65A, di_{SD}/dt=100A/\mu s$		42		ns
Q_{rr}	Reverse Recovery Charge			64		μC
Dynamic Characteristics ⁽⁵⁾						
R_G	Gate Resistance	$V_{GS}=0V, V_{DS}=0V, F=1\text{MHz}$		1		Ω
C_{iss}	Input Capacitance	$V_{GS}=0V,$ $V_{DS}=50V,$ Frequency=1.0MHz		6800		pF
C_{oss}	Output Capacitance			630		
C_{riss}	Reverse Transfer Capacitance			350		
$t_{d(ON)}$	Turn-on Delay Time	$V_{DD}=50V, R_L=1\Omega,$ $I_{DS}=65A, V_{GEN}=10V,$ $R_G=5\Omega$		22		ns
t_r	Turn-on Rise Time			86		
$t_{d(OFF)}$	Turn-off Delay Time			72		
t_f	Turn-off Fall Time			66		
Gate Charge Characteristics ⁽⁵⁾						
Q_g	Total Gate Charge	$V_{DS}=80V, V_{GS}=10V,$ $I_{DS}=65A$		130		nC
Q_{gs}	Gate-Source Charge			32		
Q_{gd}	Gate-Drain Charge			55		

- Notes:
- ① Pulse width limited by safe operating area.
 - ② Calculated continuous current based on maximum allowable junction temperature. Package limitation current is 75A.
 - ③ Limited by T_{Jmax} , $I_{AS}=47A$, $V_{DD}=48V$, $R_G=50\Omega$, Starting $T_J=25^{\circ}\text{C}$.
 - ④ Pulse test ; Pulse width $\leq 300\mu s$, duty cycle $\leq 2\%$.
 - ⑤ Guaranteed by design, not subject to production testing.

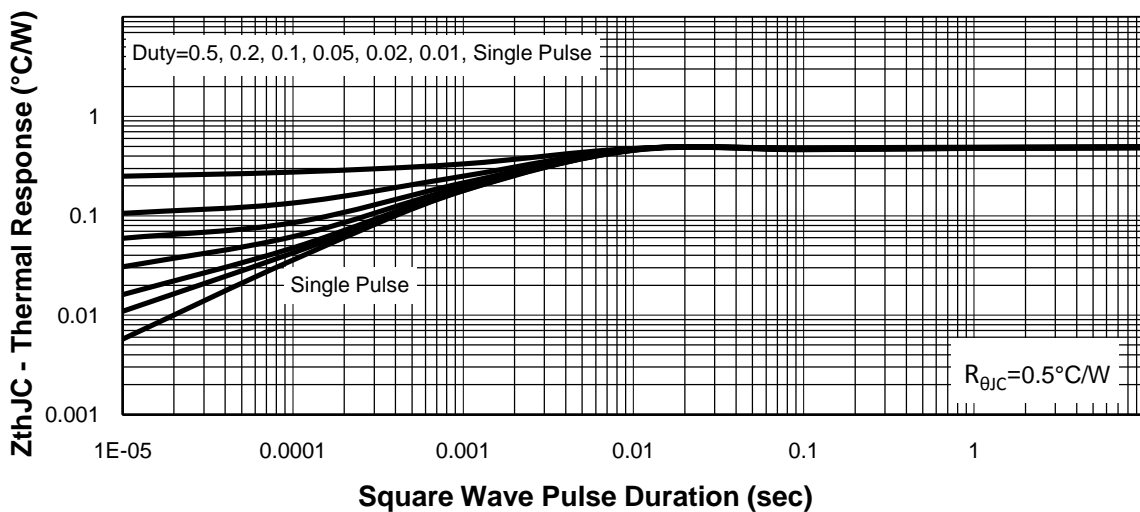
Ordering and Marking Information

Device	Marking	Package	Packaging	Quantity	Reel Size	Tape width
RU1H130S	RU1H130S	TO263	Tube	50	-	-

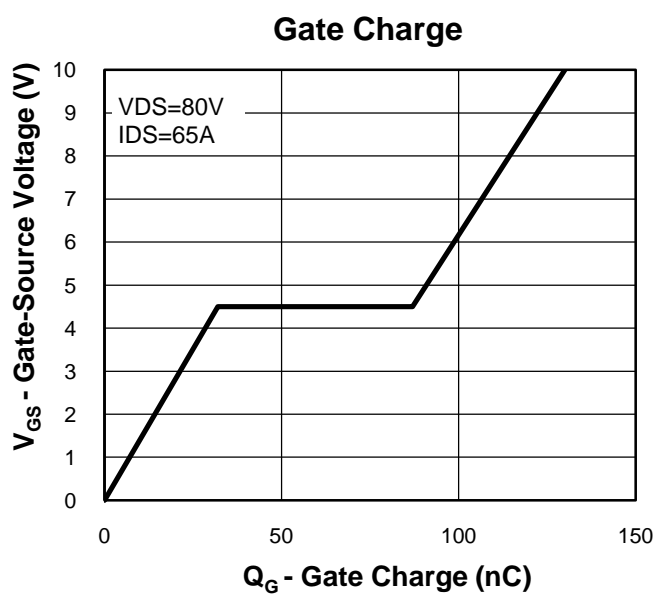
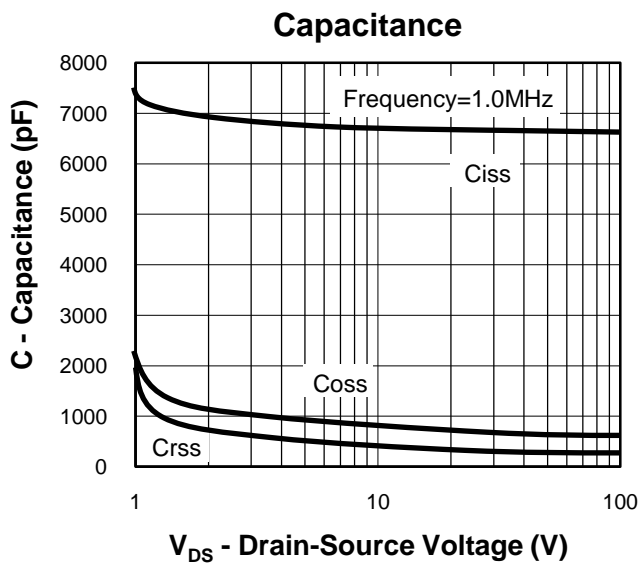
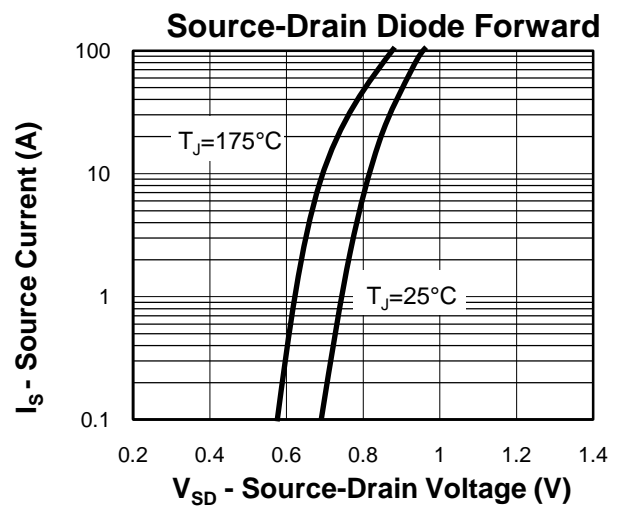
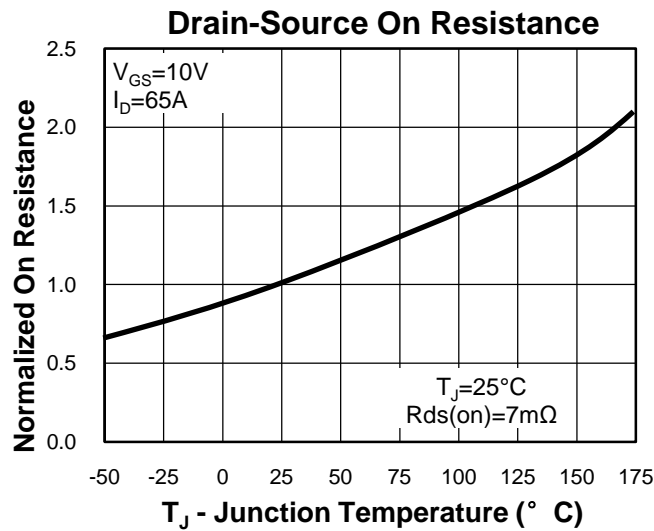
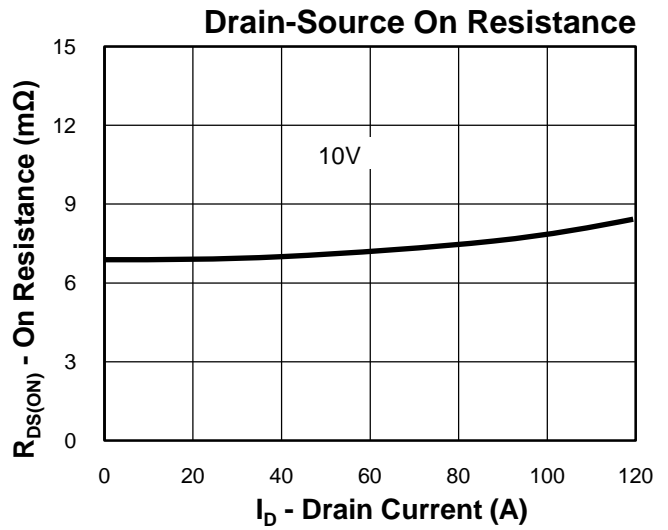
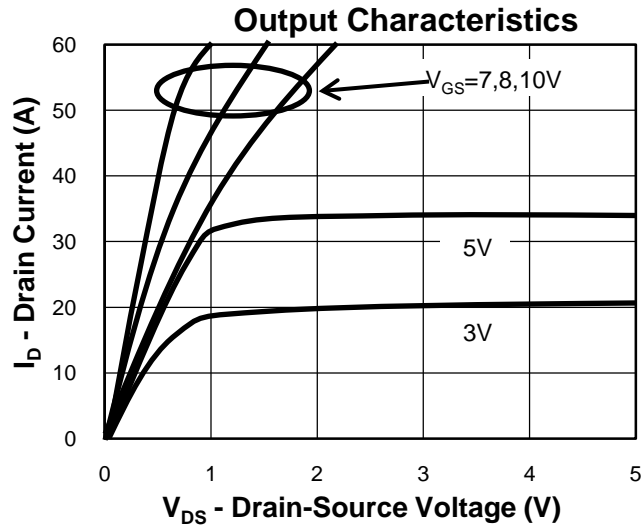
Typical Characteristics



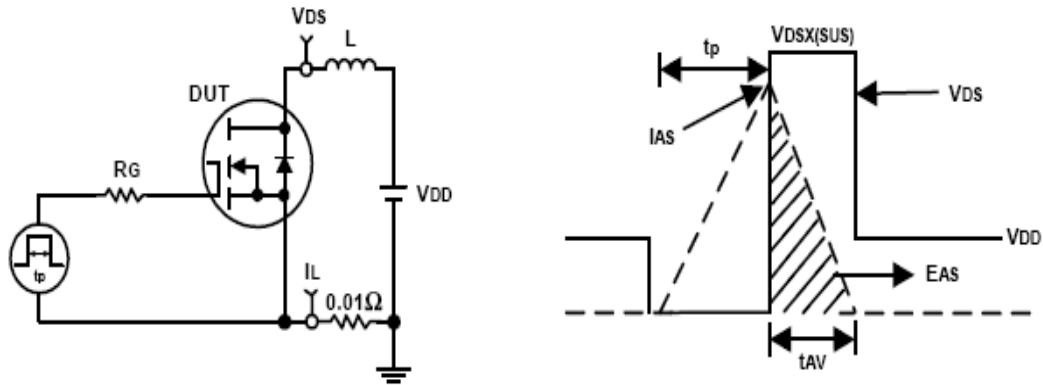
Thermal Transient Impedance



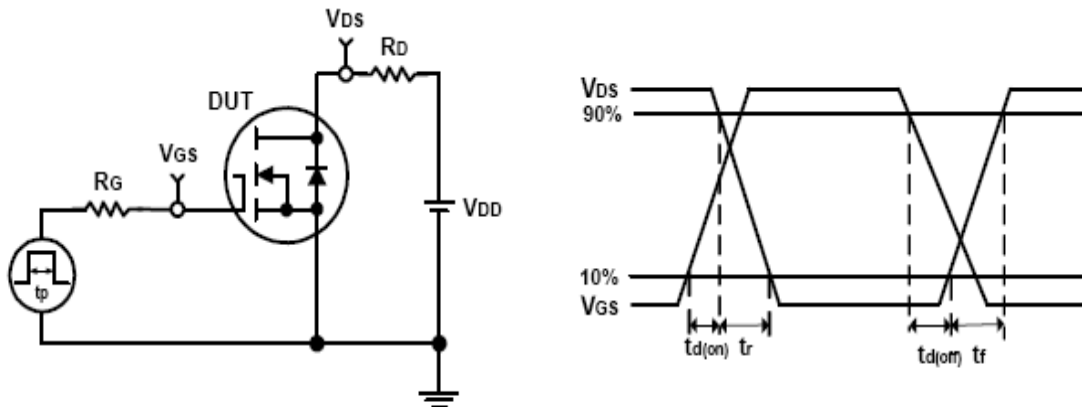
Typical Characteristics



Avalanche Test Circuit and Waveforms

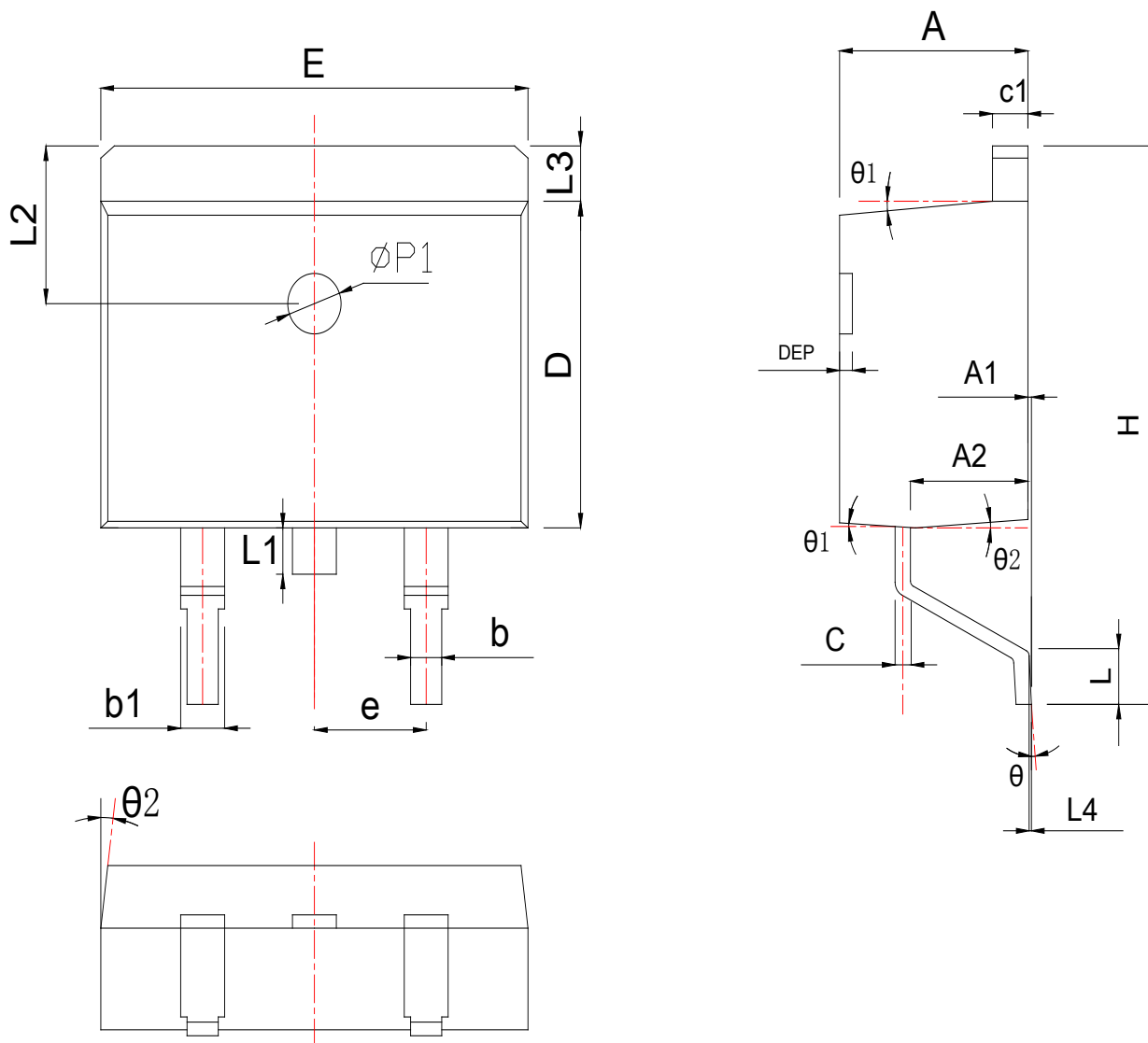


Switching Time Test Circuit and Waveforms



Package Information

TO263



SYMBOL	MM			INCH			SYMBOL	MM			INCH		
	MIN	NOM	MAX	MIN	NOM	MAX		MIN	NOM	MAX	MIN	NOM	MAX
A	4.40	4.55	4.70	0.173	0.179	0.185	L	2.00	2.30	2.60	0.079	0.091	0.102
A1	0.00	0.10	0.25	0.000	0.005	0.010	L3	1.17	1.29	1.40	0.046	0.051	0.055
A2	2.59	2.69	2.79	0.102	0.106	0.110	L1	*	*	1.70	*	*	0.067
b	0.77	*	0.90	0.030		0.035	L4	0.25 BSC			0.01 BSC		
b1	1.23	*	1.36	0.048		0.054	L2	2.50 REF			0.098 REF		
c	0.34	*	0.47	0.013		0.019	θ	0°	*	8°	0°	*	8°
c1	1.22	*	1.32	0.048		0.052	$\theta1$	5°	7°	9°	5°	7°	9°
D	8.60	8.70	8.80	0.339	0.343	0.346	$\theta2$	1°	3°	5°	1°	3°	5°
E	10.00	10.13	10.26	0.394	0.399	0.404	DEP	0.05	0.10	0.20	0.002	0.004	0.008
e	2.54BSC			0.100BSC			$\Phi p1$	1.40	1.50	1.60	0.055	0.059	0.063
H	14.70	15.10	15.50	0.579	0.594	0.610							

Customer Service**Worldwide Sales and Service:**

Sales@ruichips.com

Technical Support:

Technical@ruichips.com

Investor Relations Contacts:

Investor@ruichips.com

Marcom Contact:

Marcom@ruichips.com

Editorial Contact:

Editorial@ruichips.com

HR Contact:

HR@ruichips.com

Legal Contact:

Legal@ruichips.com

Shen Zhen RUICHIPS Semiconductor CO., LTD

Room 501, the 5floor An Tong Industrial Building,
NO.207 Mei Hua Road Fu Tian Area Shen Zhen City, CHINA

TEL: (86-755) 8311-5334

FAX: (86-755) 8311-4278

E-mail: Sales-SZ@ruichips.com