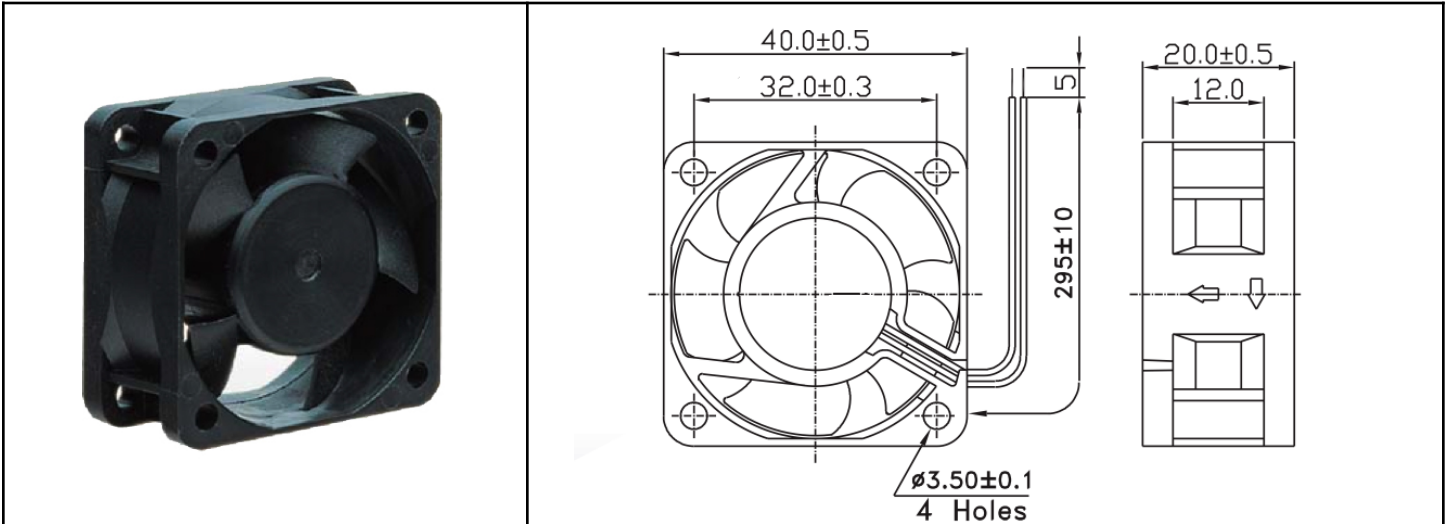


# OD4020 Series



DC Fan - 12, 24V  
40x20mm (1.58"x 0.79")



Frame & Impeller	PBT, UL94V-O plastic	<b>Available Options:</b> Sleeve Bearing Ball Bearing Tachometer Alarm 5V  <u>Life Expectancy (L10)</u> 50,000+ hrs  <u>Operating Temperature</u> -10 ~ 70C	
Connection	2x Lead wires 26AWG		
Motor	Brushless DC, auto restart, impedance and polarity protected		
Bearing System	Sealed Sleeve		
Insulation Resistance	10M ohm between leadwire and frame (500VDC)		
Dielectric Strength	1 second at 500 VAC, max leakage - 500 MicroAmp		
Storage Temperature	-30C ~ +90C		

Model Number	OD4020-12HSS	OD4020-24HSS
Part number	142143001	142243001
Nominal Voltage	12 VDC	24 VDC
Nominal Current	0.11A	0.09A
Rated Power	1.2W	1.7W
Rated Speed (RPM)	7800	7800
Airflow (CFM)	9	9
Noise Level (dB)	32	32
Max. Static Pressure	0.30" H2O	0.30" H2O