



## 50 Ohm N Female to 75 Ohm F Male Adapter

### TECHNICAL DATA SHEET

PE9389

#### 50 Ohm N Female to 75 Ohm F Male Adapter

##### Configuration

Connector 1	N Female
Impedance 1	50 Ohms
Connector Specification 1	MIL-STD-348A
Connector 2	F Male
Impedance 2	75 Ohms
Adapter Design	Standard
Body Style	Straight

##### Electrical Specifications

Frequency Range, MHz	DC to 250
Maximum VSWR	1.3:1
Maximum Operating Voltage, Volts	500
Dielectric Withstanding Voltage, Vrms	1,500

##### Mechanical Specifications

###### Temperature

Operating Range, deg C	-40 to +85
------------------------	------------

###### Size

Length, in [mm]	1.091 [27.71]
Width/Dia., in [mm]	0.625 [15.88]
Dielectric Type	Teflon

###### Connector 1

Type	N Female
Inner Conductor Material and Plating	Brass, Gold
Inner Conductor Plating Specification	30µ in. minimum
Body Material and Plating	Brass, Nickel
Body Plating Specification	100µ in. minimum

###### Connector 2

Type	F Male
Inner Conductor Material and Plating	Brass, Gold
Inner Conductor Plating Specification	30µ in. minimum
Coupling Nut Material and Plating	Brass, Nickel
Coupling Nut Plating Specification	100µ in. minimum
Hex Size, in	7/16
Torque, in-lbs [Nm]	15 [1.7]
Body Material and Plating	Brass, Nickel
Body Plating Specification	100µ in. minimum

Click the following link (or enter part number in "SEARCH" on website) to obtain additional part information including price, inventory and certifications: [50 Ohm N Female to 75 Ohm F Male Adapter PE9389](#)

The information contained in this document is accurate to the best of our knowledge and representative of the part described herein. It may be necessary to make modifications to the part and/or the documentation of the part, in order to implement improvements. Pasternack reserves the right to make such changes as required. Unless otherwise stated, all specifications are nominal.





## 50 Ohm N Female to 75 Ohm F Male Adapter

### TECHNICAL DATA SHEET

PE9389

**Compliance Certifications** (visit [www.Pasternack.com](http://www.Pasternack.com) for current document)

RoHS Compliant

Yes

**Plotted and Other Data**

Notes:

Values at 25 °C, sea level

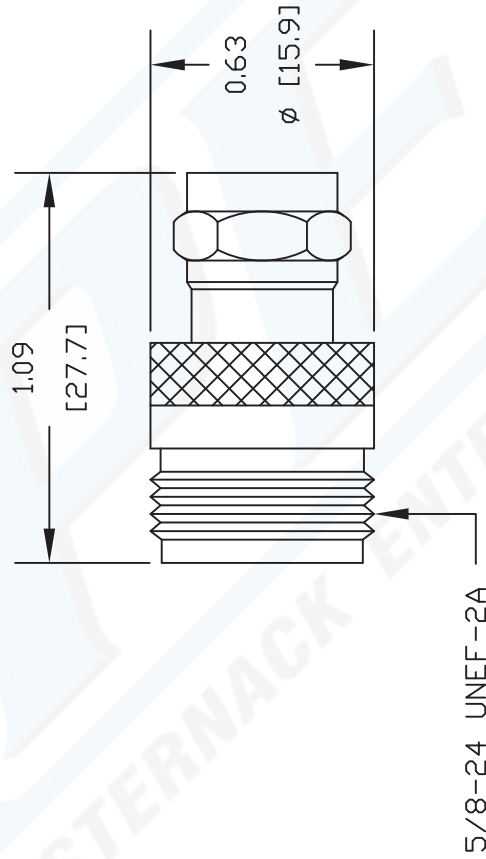
URL: <http://www.pasternack.com/n-female-f-male-straight-adapter-pe9389-p.aspx>

50 Ohm N Female to 75 Ohm F Male Adapter from Pasternack Enterprises has same day shipment for domestic and International orders. Our RF, microwave and fiber optic products maintain a 99% availability and are part of the broadest selection in the industry.

The information contained in this document is accurate to the best of our knowledge and representative of the part described herein. It may be necessary to make modifications to the part and/or the documentation of the part, in order to implement improvements. Pasternack reserves the right to make such changes as required. Unless otherwise stated, all specifications are nominal.

# PE9389 CAD Drawing

## 50 Ohm N Female to 75 Ohm F Male Adapter



DWG TITLE

**PE9389**

NOTES:  
 1. UNLESS OTHERWISE SPECIFIED ALL DIMENSIONS ARE NOMINAL.  
 2. ALL SPECIFICATIONS ARE SUBJECT TO CHANGE WITHOUT NOTICE AT ANY TIME.  
 3. DIMENSIONS ARE IN INCHES [mm].

REV. -

FSCM NO. 53919

CAD FILE 111502

SCALE N/A

SIZE A

127



**PASTERNAK®**  
 Pasternack Enterprises, Inc.  
 P.O. Box 16759 | Irvine | CA | 92623  
**Phone:** (949) 261-1920 | **Fax:** (949) 261-7451  
**Website:** [www.pasternack.com](http://www.pasternack.com) | **E-Mail:** [sales@pasternack.com](mailto:sales@pasternack.com)