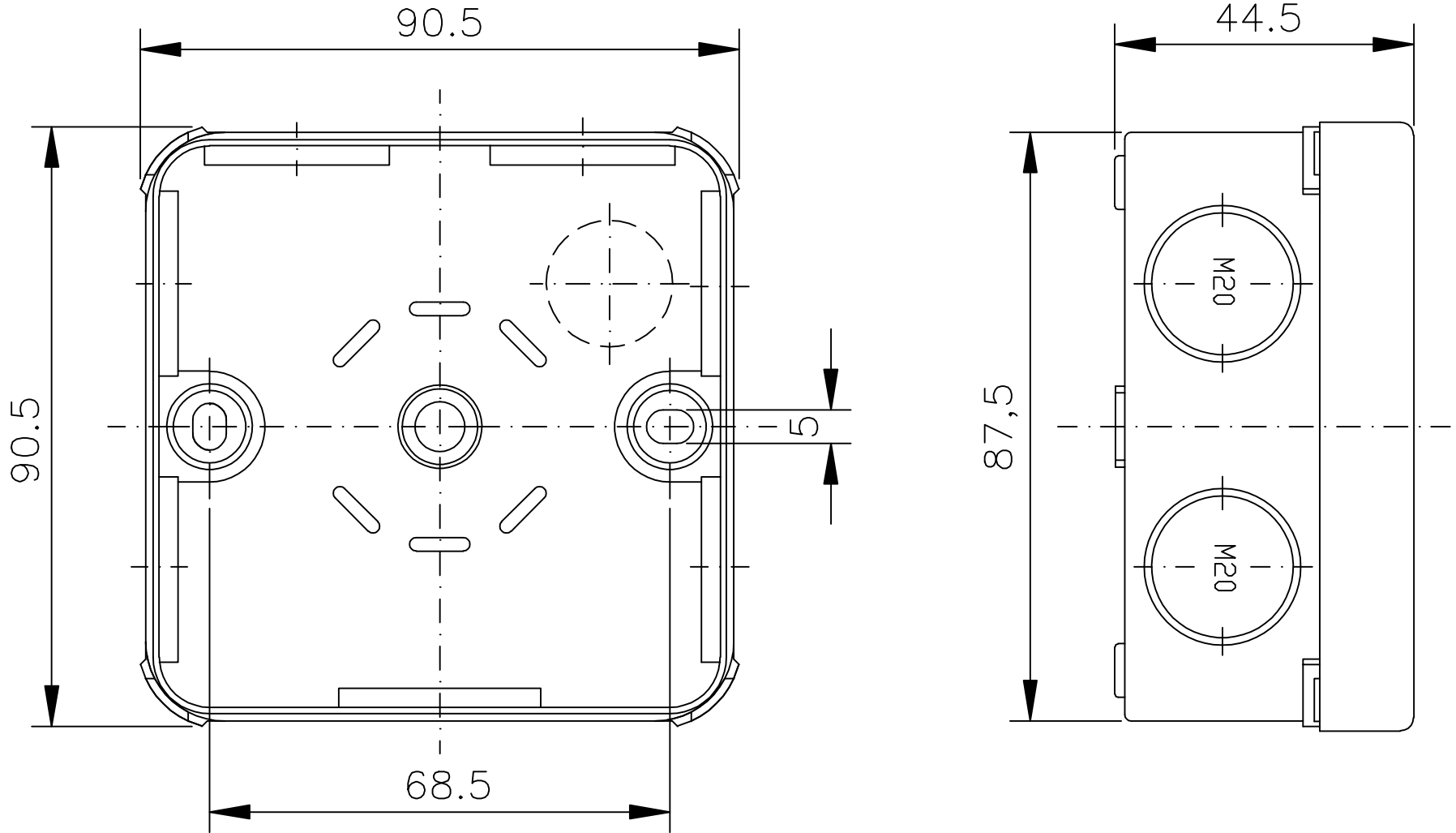
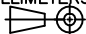


REVISIONS FOR DWG # 3EN-3IS-HP-HP090

REV	CH.NO.	DESCRIPTION	DATE	REVISED BY
-	-	ORIGINAL DESIGN	08/01/11	ROLAND G



UNLESS OTHERWISE SPECIFIED

- ALL DIMENSIONS ARE IN MILLIMETERS
- THIRD ANGLE PROJECTION 

• TOLERANCE

XX	±	XX mm
XX.X	±	XX mm
XX.XX	±	XX mm
ALL	±	XX mm

CIRTEC

This Drawing is the property of

Altech Corp.

35 Royal Road
Flemington NJ 08822-6000
(908) 806-9400 • Fax (908) 806-9490

AND IS A CONFIDENTIAL DISCLOSURE LENT WITHOUT CONSIDERATION OTHER THAN THE BORROWER'S AGREEMENT THAT IT SHALL NOT BE REPRODUCED, COPIED, LENT, OR DISPOSED OF DIRECTLY OR INDIRECTLY NOR USED FOR ANY PURPOSE OTHER THAN THAT FOR WHICH IT IS SPECIFICALLY FURNISHED.

TITLE: HP 90 POLYPROPYLENE ENCLOSURE
325-990

DRAWN BY: ROLAND GYORGYPAL	08/01/2011	DRAWING NO.:	REV.:
CHECKED BY: JEFF ROYE	08/01/2011	3EN-3IS-HP-HP090	
RELEASED BY: LASZLO G	08/01/2011	SCALE:	SHEET: 1 OF: 1