



**LIS3DH: MEMS digital output motion sensor
ultra low-power high performance 3-axis “nano” accelerometer**

Introduction

This document describes the low-voltage 3-axis digital output linear MEMS accelerometer provided in an LGA package.

The LIS3DH is an ultra low-power high performance 3-axis linear accelerometer belonging to the “nano” family, with a digital I²C/SPI serial interface standard output.

The device features ultra low-power operational modes that allow advanced power saving and smart sleep-to-wake-up and return-to-sleep functions.

The LIS3DH has dynamic user selectable full scales of $\pm 2g/\pm 4g/\pm 8g/\pm 16g$ and it is capable of measuring accelerations with output data rates from 1 Hz to 5 kHz.

The device may be configured to generate interrupt signals by an independent inertial wake-up/free-fall event as well as by the position of the device itself. Thresholds and timing of the interrupt generator are programmable by the end user on the fly.

Automatic programmable sleep-to-wake-up and return-to-sleep functions are also available for enhanced power saving.

The LIS3DH has an integrated 32-level first in first out (FIFO) buffer allowing the user to store data for host processor intervention reduction.

The LIS3DH is available in a small thin plastic land grid array package (LGA) and it is guaranteed to operate over an extended temperature range from -40 °C to +85 °C.

The ultra small size and weight of the SMD package make it an ideal choice for handheld portable applications such as cell phones and PDAs, or any other application where reduced package size and weight are required.

Contents

1	Registers table	7
2	Operating modes	9
2.1	Power-down mode	10
2.2	Normal mode	10
2.3	Low power mode	10
2.4	Switch mode timing	11
3	Startup sequence	12
3.1	Reading acceleration data	12
3.1.1	Using the status register	12
3.1.2	Using the data-ready (DRY) signal	13
3.1.3	Using the block data update (BDU) feature	13
3.2	Understanding acceleration data	14
3.2.1	Data alignment	14
3.2.2	Big-little endian selection	14
3.2.3	Example of acceleration data	14
4	High-pass filter	15
4.1	Filter configuration	15
4.1.1	Normal mode	16
4.1.2	Reference mode	16
4.1.3	Autoreset	17
5	Interrupt generation	18
5.1	Interrupt pin configuration	18
6	Inertial interrupt	20
6.1	Duration	20
6.2	Threshold	21
6.3	Free-fall and wake-up interrupts	21
6.3.1	Inertial wake-up	23
6.3.2	HP filter bypassed	23

6.3.3	Using the HP filter	24
6.4	Free-fall detection	25
7	6D/4D orientation detection	27
7.1	6D orientation detection	27
7.2	4D direction	29
8	Click and double click recognition	30
8.1	Single click	30
8.2	Double click	31
8.3	Register description	32
8.3.1	TAP_CFG (38h)	32
8.3.2	TAP_SRC (39h)	33
8.3.3	TAP_THS (3Ah)	34
8.3.4	TIME_LIMIT (3Bh)	34
8.3.5	TIME_LATENCY (3Ch)	34
8.3.6	TIME WINDOW (3Dh)	35
8.3.7	CTRL_REG3 [Interrupt CTRL register] (22h)	35
8.4	Examples	35
8.4.1	Playing with TAP_TimeLimit	36
8.4.2	Playing with TAP_Latency	37
8.4.3	Playing with TAP_Window	38
9	First in first out (FIFO) buffer	39
9.1	FIFO description	39
9.2	FIFO registers	40
9.2.1	Control register 5 (0x24)	40
9.2.2	FIFO control register (0x2E)	41
9.2.3	FIFO source register (0x2F)	42
9.3	FIFO modes	43
9.3.1	Bypass mode	43
9.3.2	FIFO mode	43
9.3.3	Stream mode	44
9.3.4	Stream-to-FIFO mode	46
9.4	Watermark	48
9.5	Retrieve data from FIFO	48

10	Auxiliary ADC	50
	10.1 Temperature sensor	50
11	Revision history	51

List of tables

Table 1.	Registers table	7
Table 2.	Operating mode selection	9
Table 3.	Data rate configuration	9
Table 4.	Power consumption (mA)	9
Table 5.	Switch mode timing	11
Table 6.	Output data registers content vs. acceleration (FS = 2 g)	14
Table 7.	High-pass filter mode configuration	15
Table 8.	Low power mode - high-pass filter cut-off frequency [Hz].	16
Table 9.	Reference mode LSB value	16
Table 10.	CTRL_REG3 register	18
Table 11.	CTRL_REG3 description	18
Table 12.	CTRL_REG6 register	18
Table 13.	CTRL_REG6 register	18
Table 14.	Interrupt mode configuration	20
Table 15.	Duration LSB value in normal mode	20
Table 16.	Threshold LSB value	21
Table 17.	INT1_SRC register in 6D position	29
Table 18.	TAP_CFG register	32
Table 19.	TAP_CFG description	32
Table 20.	Truth table	33
Table 21.	TAP_SRC register	33
Table 22.	TAP_SRC description	33
Table 23.	TAP_THS register	34
Table 24.	TAP_SRC description	34
Table 25.	TIME_LIMIT register	34
Table 26.	TIME_LIMIT register	34
Table 27.	TIME_LATENCY register	34
Table 28.	TIME_LATENCY description	34
Table 29.	TIME_WINDOW description	35
Table 30.	TIME_LATENCY description	35
Table 31.	CTRL_REG3 register	35
Table 32.	CTRL_REG3 description	35
Table 33.	FIFO buffer Full Representation (32nd sample set stored)	39
Table 34.	FIFO Overrun Representation (33rd sample set stored and 1st sample discarded)	40
Table 35.	FIFO enable bit in CTRL_REG5	40
Table 36.	FIFO_CTRL_REG	41
Table 37.	FIFO_SRC_REG	42
Table 38.	FIFO_SRC_REG behavior assuming FTH[4:0] = 15	42
Table 39.	CTRL_REG3 (0x22)	42
Table 40.	Document revision history	51

List of figures

Figure 1.	Data ready signal	13
Figure 2.	High-pass filter connections block diagram	15
Figure 3.	HP_FILTER_RESET readings	16
Figure 4.	Reference mode	17
Figure 5.	Autoreset	17
Figure 6.	Interrupt signals and interrupt pins	19
Figure 7.	Free-fall, wake-up interrupt generator	22
Figure 8.	FF_WU_CFG high and low	22
Figure 9.	Inertial wake-up interrupt	23
Figure 10.	Free-fall interrupt	25
Figure 11.	ZH, ZL, YH, YL, XH, and XL behavior	27
Figure 12.	6D movement vs. 6D position	28
Figure 13.	6D recognized positions	28
Figure 14.	Single click event with non latched interrupt	30
Figure 15.	Single and double click recognition	31
Figure 16.	Double click recognition	32
Figure 17.	Short TimeLimit	36
Figure 18.	Long TimeLimit	36
Figure 19.	Short latency	37
Figure 20.	Long latency	37
Figure 21.	Short window	38
Figure 22.	Long window	38
Figure 23.	FIFO_EN connection block diagram	41
Figure 24.	FIFO mode behavior	44
Figure 25.	Stream mode fast reading behavior	45
Figure 26.	Stream mode slow reading behavior	45
Figure 27.	Stream mode slow reading zoom	46
Figure 28.	Stream-to-FIFO mode: interrupt not latched	47
Figure 29.	Stream-to-FIFO mode: interrupt latched	47
Figure 30.	Watermark behavior - FTH[4:0] = 10	48
Figure 31.	FIFO reading diagram - FTH[4:0] = 10	49



1 Registers table

Table 1. Registers table

Register name	Address	Bit7	Bit6	Bit5	Bit4	Bit3	Bit2	Bit1	Bit0
STATUS_REG_AUX	07h	321OR	3OR	2OR	1OR	321DA	3DA	2DA	1DA
OUT_ADC1_L	08h	A1D7	A1D6	A1D5	A1D4	A1D3	A1D2	A1D1	A1D0
OUT_ADC1_H	09h	A1D15	A1D14	A1D13	A1D12	A1D11	A1D10	A1D9	A1D8
OUT_ADC2_L	0Ah	A2D7	A2D6	A2D5	A2D4	A2D3	A2D2	A2D1	A2D0
OUT_ADC2_H	0Bh	A2D15	A2D14	A2D13	A2D12	A2D11	A2D10	A2D9	A2D8
OUT_ADC3_L	0Ch	A3D7	A3D6	A3D5	A3D4	A3D3	A3D2	A3D1	A3D0
OUT_ADC3_H	0Dh	3A3D15	C2	A3D13	A3D12	A3D11	A3D10	A3D9	A3D8
INT_COUNTER_REG	0Eh	C7	C6	C5	C4	C3	C2	C1	C0
WHO_AM_I	0Fh	0	0	1	1	0	0	1	1
TEMP_CFG_REG	1Fh	ADC_PD	TEMP_EN	0	0	0	0	0	0
CTRL_REG1	20h	ODR3	ODR2	ODR1	ODR0	LPen	Zen	Yen	Xen
CTRL_REG2	21h	HPM1	HPM0	HPCF2	HPCF1	FDS	HPCLICK	HPIS2	HPIS1
CTRL_REG3	22h	I1_CLICK	I1_AOI1	0	I1_DRDY1	I1_DRDY2	I1_WTM	I1_OVERRUN	-
CTRL_REG4	23h	BDU	BLE	FS1	FS0	HR	ST1	ST0	SIM
CTRL_REG5	24h	BOOT	FIFO_EN	-	-	LIR_INT1	D4D_INT1	0	0
CTRL_REG6	25h	I2_CLICKen	I2_INT1	0	BOOT_I1	0	-	H_LACTIVE	-
REFERENCE	26h	REF7	REF6	REF5	REF4	REF3	REF2	REF1	REF0
STATUS_REG2	27h	ZYXOR	ZOR	YOR	XOR	ZYXDA	ZDA	YDA	XDA
OUT_X_L	28h	XD7	XD6	XD5	XD4	XD3	XD2	XD1	XD0
OUT_X_H	29h	XD15	XD14	XD13	XD12	XD11	XD10	XD9	XD8
OUT_Y_L	2Ah	YD7	YD6	YD5	YD4	YD3	YD2	YD1	YD0
OUT_Y_H	2Bh	YD15	YD14	YD13	YD12	YD11	YD10	YD9	YD8

**Table 1. Registers table (continued)**

Register name	Address	Bit7	Bit6	Bit5	Bit4	Bit3	Bit2	Bit1	Bit0
OUT_Z_L	2Ch	ZD7	ZD6	ZD5	ZD4	ZD3	ZD2	ZD1	ZD0
OUT_Z_H	2Dh	ZD15	ZD14	ZD13	ZD12	ZD11	ZD10	ZD9	ZD8
FIFO_CTRL_REG	2E	FM1	FM0	TR	FTH4	FTH3	FTH2	FTH1	FTH0
FIFO_SRC_REG	2F	WTM	OVRN_FIFO	-	FSS4	FSS3	FSS2	FSS1	FSS0
INT1_CFG	30h	AOI	6D	ZHIE	ZLIE	YHIE	YLIE	XHIE	XLIE
INT1_SRC	31h	-	IA	ZH	ZL	YH	YL	XH	XL
INT1_THS	32h	0	THS6	THS5	THS4	THS3	THS2	THS1	THS0
INT1_DURATION	33h	0	D6	D5	D4	D3	D2	D1	D0
CLICK_CFG	38h	-		ZD	ZS	YD	YS	XD	XS
CLICK_SRC	39h	-	IA	DCLICK	SCLICK	Sign	Z	y	x
CLICK_THS	3Ah	-	Ths6	Ths5	Ths4	Ths3	Ths2	Ths1	Ths0
TIME_LIMIT	3Bh	-	TLI6	TLI5	TLI4	TLI3	TLI2	TLI1	TLI0
TIME_LATENCY	3Ch	TLA7	TLA6	TLA5	TLA4	TLA3	TLA2	TLA1	TLA0
TIME_WINDOW	3Dh	TW7	TW6	TW5	TW4	TW3	TW2	TW1	TW0
ACT_THS	3Eh	-	ATHS6	ATHS5	ATHS4	ATHS3	ATHS2	ATHS1	ATHS0
INACT_DUR	3Fh	ADUR7	ADUR6	ADUR5	ADUR4	ADUR3	ADUR2	ADUR1	ADUR0

2 Operating modes

The LIS3DH provides three different operating modes, respectively reported as power-down mode, normal mode, and low power mode. While normal mode guarantees higher resolution, low power mode further reduces the current consumption.

After power supply is applied, the LIS3DH performs a 5 ms boot procedure to load the trimming parameter. After the boot is completed, the device is automatically configured in power-down mode.

Referring to the LIS3DH datasheet, output data rate (ODR) and low power enable (LPen) bits of CTRL_REG1 and HR bits of CTRL_REG4 are used to select the operating modes (power-down mode, normal mode and low power mode) and output data rate ([Table 2](#) and [Table 3](#)).

Table 2. Operating mode selection

Operating mode	CTRL_REG1[3] (LPen bit)	CTRL_REG4[3] (HR bit)	BW [Hz]	Turn-on time [ms]
Low power mode	1	0	ODR/2	1
Normal mode	0	1	ODR/9	7/ODR

Table 3. Data rate configuration

ODR3	ODR2	ODR1	ODR0	Power mode selection
0	0	0	0	Power-down mode
0	0	0	1	Normal/low power mode (1 Hz)
0	0	1	0	Normal/low power mode (10 Hz)
0	0	1	1	Normal/low power mode (25 Hz)
0	1	0	0	Normal/low power mode (50 Hz)
0	1	0	1	Normal/low power mode (100 Hz)
0	1	1	0	Normal/low power mode (200 Hz)
0	1	1	1	Normal/low power mode (400 Hz)
1	0	0	0	Low power mode (1.5 kHz)
1	0	0	1	Normal (1.250 kHz)/low power mode (5 kHz)

[Table 4](#) shows the typical values of the power consumption for the different operating modes.

Table 4. Power consumption (μA)

ODR(Hz)	Normal mode (μA)	Low power mode (μA)
Power-down	0.4	0.4
1	2	2

Table 4. Power consumption (μA) (continued)

ODR(Hz)	Normal mode (μA)	Low power mode (μA)
10	4	3
25	6	4
50	11	6
100	20	10
200	38	18
400	73	36
1250	185	-
1600	-	99
5000	-	184

2.1 Power-down mode

When the device is in power-down mode, almost all internal blocks of the device are switched off to minimize power consumption. Digital interfaces (I²C and SPI) are still active to allow communication with the device. The configuration registers content is preserved and output data registers are not updated, therefore keeping the last data sampled in memory before going into power-down mode.

2.2 Normal mode

In normal mode, data are generated at the data rate (ODR) selected through the DR bits and for the axis enabled through Zen, Yen, and Xen bits of CTRL_REG1. Data generated for a disabled axis is 00h.

Data interrupt generation is active and configured through the INT1_CFG register.

2.3 Low power mode

While normal mode guarantees higher resolution, low power mode further reduces the current consumption.

In low power mode, data are generated at the data rate (ODR) selected through the DR bits and for the axis enabled through the Zen, Yen, and Xen bits of CTRL_REG1. Data generated for a disabled axis is 00h.

Data interrupt generation is active and configured through the INT1_CFG register.

2.4 Switch mode timing

Switch mode time is shown in [Table 1](#).

Table 5. Switch mode timing

Starting mode	Target mode	Turn on time - TYP (ms)
Power-down	Low power	2/ODR
Power-down	Normal	7/ODR
Normal	Power-down	0
Low power	Power-down	0
Low power	Normal	7/ODR
Normal	Low power	2/ODR

3 Startup sequence

Once the device is powered-up, it automatically downloads the calibration coefficients from the embedded flash to the internal registers. When the boot procedure is completed, i.e. after approximately 5 milliseconds, the device automatically enters power-down mode. To turn on the device and gather acceleration data, it is necessary to select one of the operating modes through CTRL_REG1 and to enable at least one of the axes.

The following general purpose sequence can be used to configure the device:

1. Write CTRL_REG1
2. Write CTRL_REG2
3. Write CTRL_REG3
4. Write CTRL_REG4
5. Write CTRL_REG5
6. Write CTRL_REG6
7. Write Reference
8. Write INT1_THS
9. Write INT1_DUR
10. Write INT1_CFG
11. Write CTRL_REG5

3.1 Reading acceleration data

3.1.1 Using the status register

The device is provided with a STATUS_REG which should be polled to check when a new set of data is available. The reading procedure should be the following:

1. Read STATUS_REG
2. If STATUS_REG(3) = 0 then go to 1
3. If STATUS_REG(7) = 1 then some data have been overwritten
4. Read OUTX_L
5. Read OUTX_H
6. Read OUTY_L
7. Read OUTY_H
8. Read OUTZ_L
9. Read OUTZ_H
10. Data processing
11. Go to 1

The check performed at step 3 allows to understand whether the reading rate is adequate compared to the data production rate. In case one or more acceleration samples have been overwritten by new data, because of a too slow reading rate, the ZYXOR bit of STATUS_REG is set to 1.

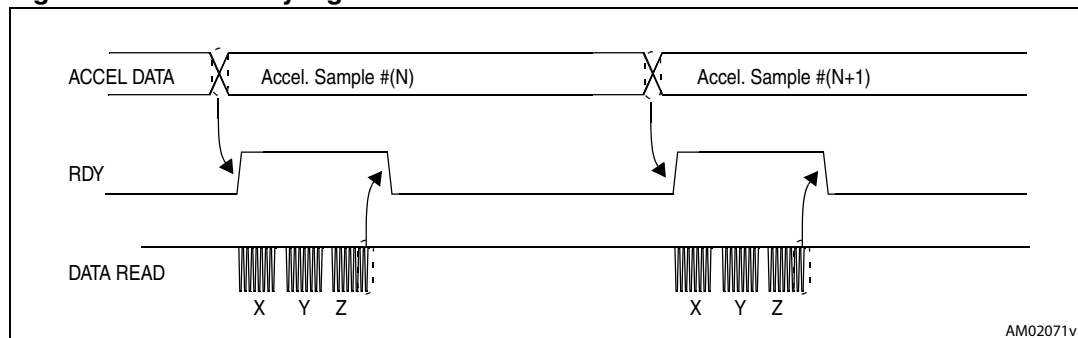
The overrun bits are automatically cleared when all the data present inside the device have been read and new data have not been produced in the meantime.

3.1.2 Using the data-ready (DRY) signal

The device may be configured to have one HW signal to determinate when a new set of measurement data is available for reading. This signal is represented by the XYZDA bit of STATUS_REG. The signal can be driven to INT1 pin by setting the I1_DRDY1 bit of CTRL_REG3 to 1 and its polarity set to active-low or active-high through the H_LACTIVE bit of CTRL_REG6.

The data-ready signal rises to 1 when a new set of acceleration data has been generated and it is available for reading. The interrupt is reset when the higher part of the data of all the enabled channels has been read (29h, 2Bh, 2Dh).

Figure 1. Data ready signal



3.1.3 Using the block data update (BDU) feature

If the reading of the acceleration data is particularly slow and cannot be synchronized (or it is not required) with either the XYZDA bit present inside the STATUS_REG or with the RDY signal, it is strongly recommended to set the BDU (block data update) bit in CTRL_REG4 to 1.

This feature avoids the reading of values (most significant and least significant parts of the acceleration data) related to different samples. In particular, when the BDU is activated, the data registers related to each channel always contain the most recent acceleration data produced by the device, but, in case the reading of a given pair (i.e. OUT_X_H and OUT_X_L, OUT_Y_H and OUT_Y_L, OUT_Z_H and OUT_Z_L) is initiated, the refresh for that pair is blocked until both MSB and LSB parts of the data are read.

Note: BDU only guarantees that OUT_X(Y, Z)_L and OUT_X(X, Z)_H have been sampled at the same moment. For example, if the reading speed is too low, it may read X and Y sampled at T1 and Z sampled at T2.

3.2 Understanding acceleration data

The measured acceleration data are sent to OUTX_H, OUTX_L, OUTY_H, OUTY_L, OUTZ_H, and OUTZ_L registers. These registers contain, respectively, the most significant part and the least significant part of the acceleration signals acting on the X, Y, and Z axes.

The complete acceleration data for the X (Y, Z) channel is given by the concatenation OUTX_H & OUTX_L (OUTY_H & OUTY_L, OUTZ_H & OUTZ_L) and it is expressed as a 2's complement number.

3.2.1 Data alignment

Acceleration data are represented as 16-bit numbers and are left justified.

3.2.2 Big-little endian selection

The LIS3DH allows to swap the content of the lower and the upper part of the acceleration registers (i.e. OUTX_H with OUTX_L), to be compliant with both little-endian and big-endian data representations.

“Little Endian” means that the low-order byte of the number is stored in memory at the lowest address, and the high-order byte at the highest address. (The little end comes first). This mode corresponds to bit BLE in CTRL_REG4 reset to 0 (default configuration).

On the contrary, “Big Endian” means that the high-order byte of the number is stored in memory at the lowest address, and the low-order byte at the highest address.

3.2.3 Example of acceleration data

[Table 6](#) provides a few basic examples of the data that is read in the data-registers when the device is subject to a given acceleration. The values listed in the table are given under the hypothesis of perfect device calibration (i.e. no offset, no gain error,...) and practically show the effect of the BLE bit.

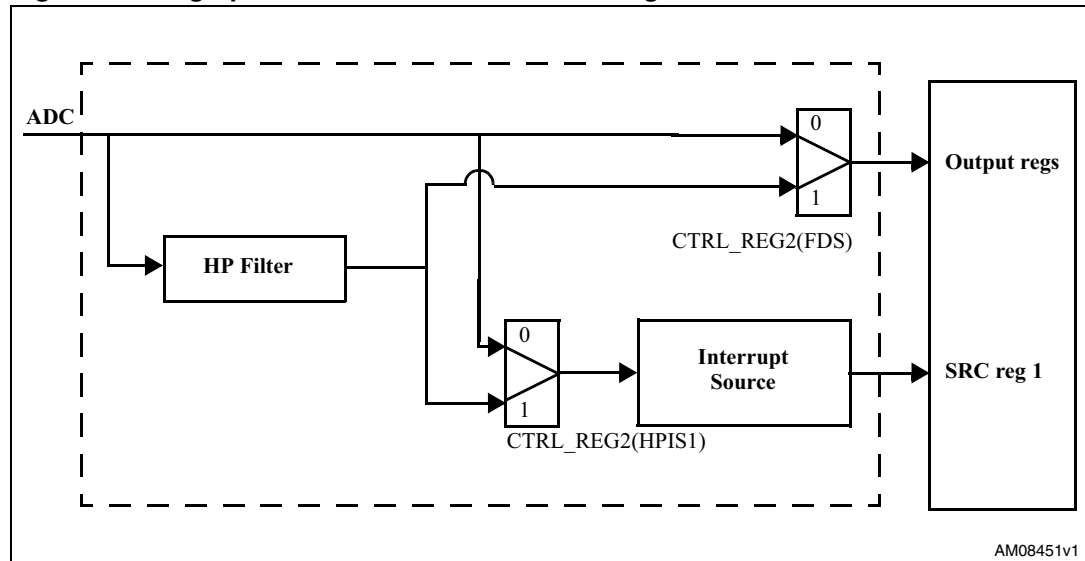
Table 6. Output data registers content vs. acceleration (FS = 2 g)

Acceleration values	BLE = 0		BLE = 1	
	Register address			
	28h	29h	28h	29h
0 g	00h	00h	00h	00h
350 mg	E0h	15h	15h	E0h
1 g	00h	04h	04h	00h
-350 mg	20h	EAh	EAh	20h
-1g	00h	C0h	C0h	00h

4 High-pass filter

The LIS3DH provides an embedded high-pass filtering capability to easily delete the DC component of the measured acceleration. As shown in [Figure 2](#), through FDS, HPen1, and HPen2 bits of CTRL_REG2 configuration, it is possible to independently apply the filter on the output data and/or on the interrupts data. This means that it is possible, i.e., to get filtered data while interrupt generation works on unfiltered data.

Figure 2. High-pass filter connections block diagram



4.1 Filter configuration

Referring to [Table 7](#), two operating modes are possible for the high-pass filter:

Table 7. High-pass filter mode configuration

HPM1	HPM0	High-pass filter mode
0	0	Normal mode (reset reading HP_RESET_FILTER)
0	1	Reference signal for filtering
1	0	Normal mode
1	1	Autoreset on interrupt event

The bandwidth of the high-pass filter depends on the selected ODR and on the settings of HPCFx bits of CTRL_REG2. The high-pass filter cut-off frequencies (f_t) are shown in [Table 8](#).

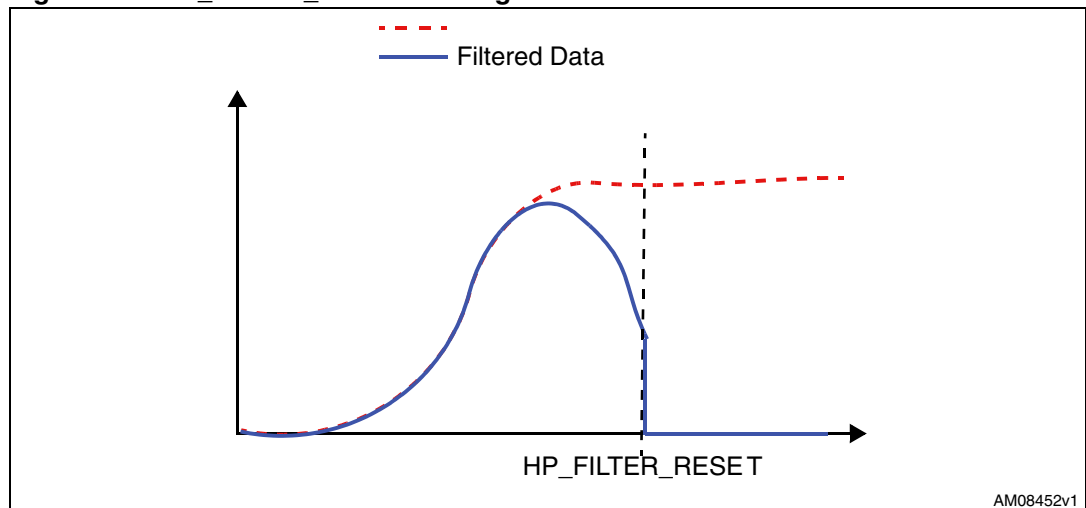
Table 8. Low power mode - high-pass filter cut-off frequency [Hz]

HPC	f_t [Hz] @ 1Hz	f_t [Hz] @ 10Hz	f_t [Hz] @ 25Hz	f_t [Hz] @ 50Hz	f_t [Hz] @ 100Hz	f_t [Hz] @ 200Hz	f_t [Hz] @ 400Hz	f_t [Hz] @ 1.6 kHz	f_t [Hz] @ 5 kHz
00	0.02	0.2	0.5	1	2	4	8	32	100
01	0.008	0.08	0.2	0.5	1	2	4	16	50
10	0.004	0.04	0.1	0.2	0.5	1	2	8	25
11	0.002	0.02	0.05	0.1	0.2	0.5	1	4	12

4.1.1 Normal mode

In this configuration the high-pass filter can be reset reading the reference register, instantly deleting the DC component of the acceleration.

Figure 3. HP_FILTER_RESET readings



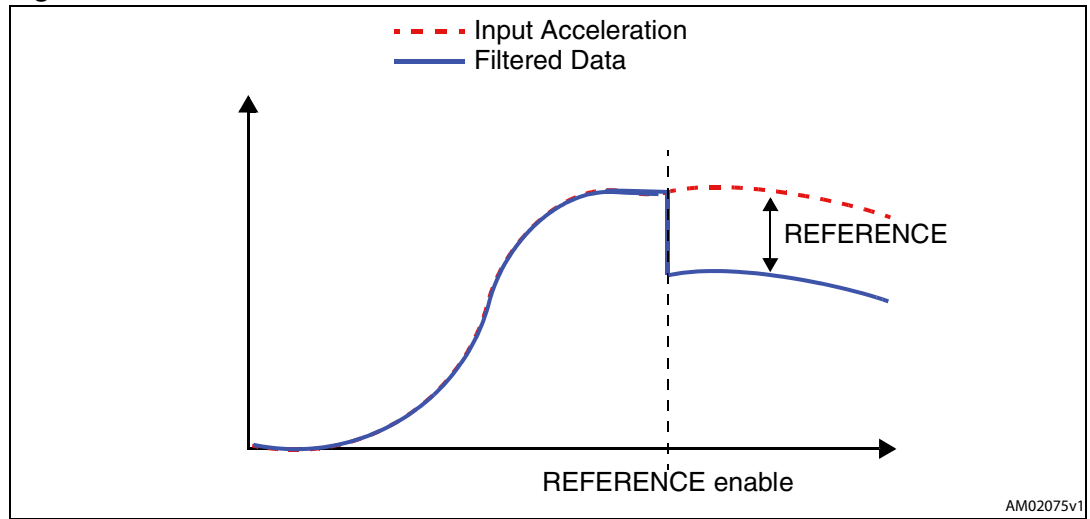
4.1.2 Reference mode

In this configuration the output data is calculated as the difference between the input acceleration and the content of the reference register. This register is in 2' complement representation and the value of 1 LSB of these 7-bit registers depends on the selected full scale ([Table 9](#)).

Table 9. Reference mode LSB value

Full scale	Reference mode LSB value (mg)
2	~16
4	~31
8	~63

Figure 4. Reference mode

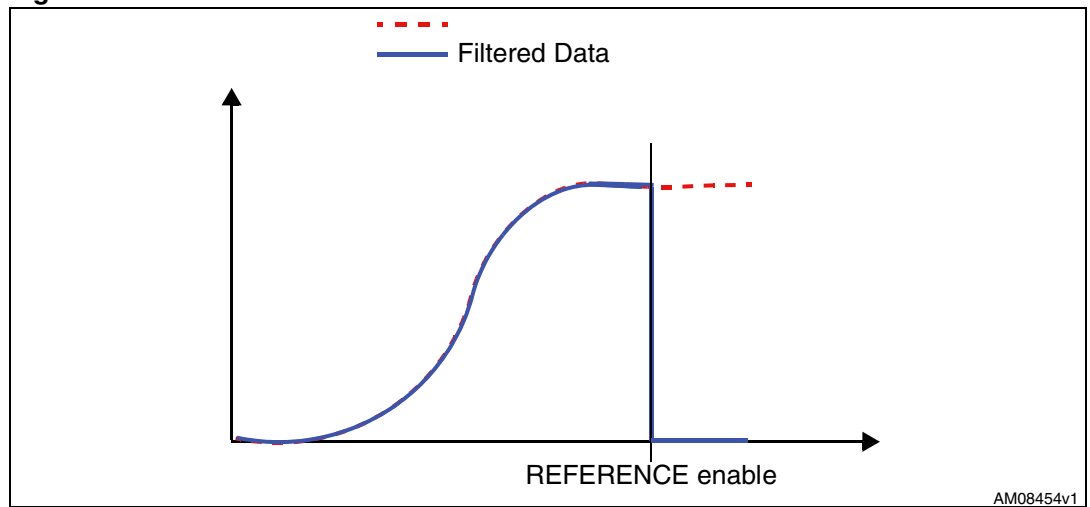


4.1.3 Autoreset

In this configuration the filter is automatically reset when the configured interrupt event occurs. HP_RESET is, however, used to set the filter instantaneously.

Note: XYZ dataset used to reset the filter is the one after the interrupt.

Figure 5. Autoreset



5 Interrupt generation

The LIS3DH interrupts signal can behave as free-fall, wake-up, 6D and 4D orientation detection, and click detection. Those signals can be driven to the two interrupt pins (INT1 and INT2).

5.1 Interrupt pin configuration

The device is provided with two pins which can be activated to generate either the data-ready or the interrupt signals. The functionality of the pins is selected through CTRL_REG3(22h) and CTRL_REG6(25h). Refer to [Table 10](#) and [Table 11](#) and to the block diagram given in [Figure 6](#).

Table 10. CTRL_REG3 register

I1_CLICK	I1_INT1	0	I1_DRDY1	-	I1_WTM	I1_OVERRUN	-
----------	---------	---	----------	---	--------	------------	---

Table 11. CTRL_REG3 description

I1_CLICK	CLICK interrupt on INT1. Default value 0. (0: disable; 1: enable)
I1_INT1	Interrupt generator 1 on INT1 pin. Default value 0. (0: disable; 1: enable)
I1_DRDY1	DRDY1 interrupt on INT1. Default value 0. (0: disable; 1: enable)
I1_WTM	FIFO watermark interrupt on INT1. Default value 0. (0: disable; 1: enable)
I1_OVERRUN	FIFO overrun interrupt on INT1. Default value 0. (0: disable; 1: enable)

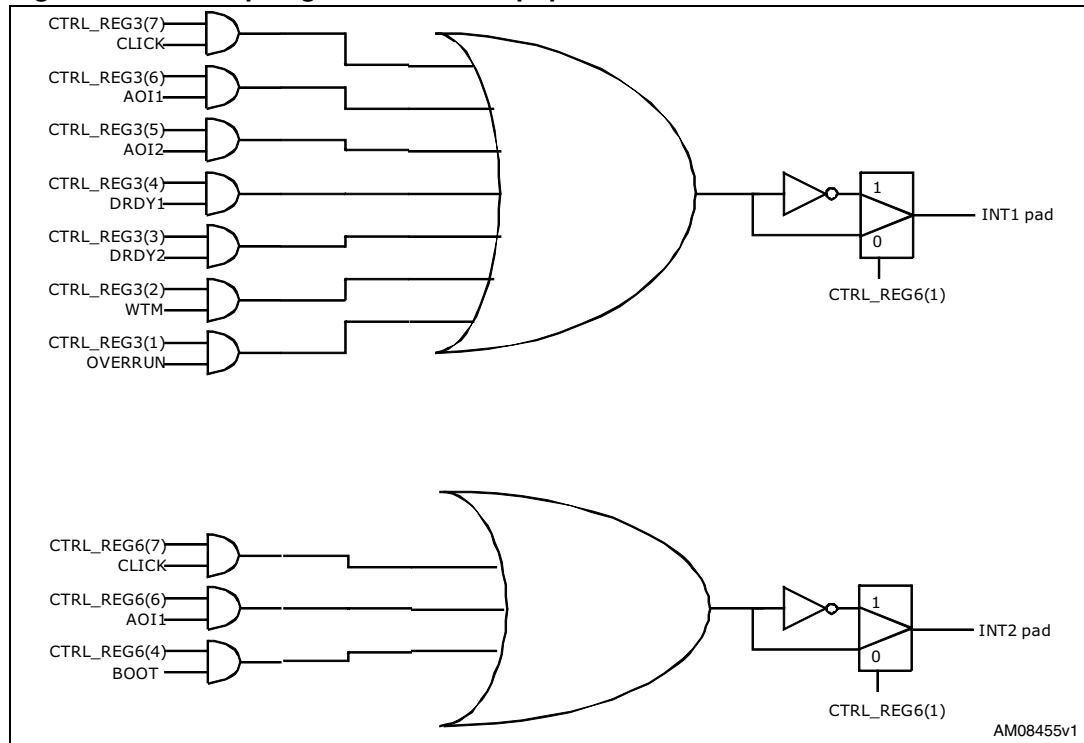
Table 12. CTRL_REG6 register

I2_CLICKen	I2_INT1	0	BOOT_I2	0	-	H_LACTIVE	-
------------	---------	---	---------	---	---	-----------	---

Table 13. CTRL_REG6 register

I2_CLICKen	CLICK interrupt on INT2. Default value 0. (0: disable; 1: enable)
I2_INT2	Interrupt generator 1 on INT2 pin. Default value 0. (0: disable; 1: enable)
BOOT_I2	BOOT status on INT2. Default value 0. (0: disable; 1: enable)
HL_ACTIVE	0: interrupt active high; 1: interrupt active low

Figure 6. Interrupt signals and interrupt pins



6 Inertial interrupt

The LIS3DH can provide two inertial interrupt signals and offers several possibilities to personalize those signals. The registers involved in the interrupt generation behavior are INT1_CFG, INT1_THS and INT1_DURATION.

Table 14. Interrupt mode configuration

AOI	6D	Interrupt mode
0	0	OR combination of interrupt events
0	1	6 direction movement recognition
1	0	AND combination of interrupt events
1	1	6 direction position recognition

Whenever an interrupt condition is verified the interrupt signal is generated and by reading the INT1_SRC register it is possible to understand which condition happened.

6.1 Duration

The content of the duration registers sets the minimum duration of the interrupt event to be recognized. Duration steps and maximum values depend on the ODR chosen.

Duration time is measured in N/ODR , where N is the content of the duration register and ODR is 50, 100, 400, 1000 Hz.

Table 15. Duration LSB value in normal mode

ODR (Hz)	Duration LSB value (ms)
1	1000
10	100
25	40
50	20
100	10
200	5
400	2.5
1000	1
1344	0.744
1620	0.617

6.2 Threshold

Threshold registers define the reference accelerations used by interrupt generation circuitry. The value of 1 LSB of these 7-bit registers depends on the selected full scale ([Table 16](#)).

Table 16. Threshold LSB value

Full scale	Threshold LSB value (mg)
2	~16
4	~31
8	~63
16	~125

6.3 Free-fall and wake-up interrupts

The LIS3DH interrupts signal can behave as free-fall and wake-up. Whenever an interrupt condition is verified, the interrupt signal is generated and by reading the INT1_SRC register it is possible to understand which condition happened.

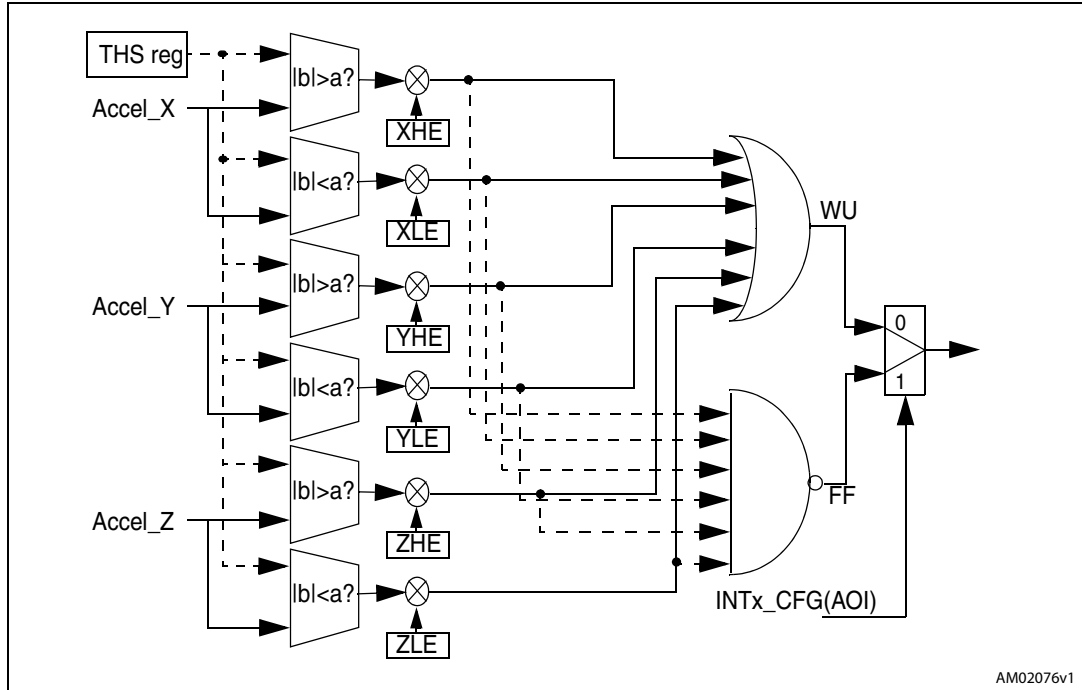
The free-fall signal (FF) and wake-up signal (WU) interrupt generation block is represented in [Figure 7](#).

The FF or WU interrupt generation is selected through the AOI bit in the INT1_CFG register. If the AOI bit is '0', signals coming from comparators for the axis enabled through the INT1_CFG register are put in logical OR. In this case, interrupt is generated when at least one of the enabled axes exceeds the threshold written in module in INT1_THS registers. Otherwise, if the AOI bit is '1', signals coming from comparators enter a "NAND" port. In this case an interrupt signal is generated only if all the enabled axes are passing the threshold written in the INT1_THS register.

LIR1 bits of CTRL_REG3 allow to decide if the interrupt request must be latched or not. If LIR1 bit is '0' (default value), the interrupt signal goes high when the interrupt condition is satisfied and returns to low immediately if the interrupt condition is no longer verified. Otherwise, if the LIR1 bit is '1', whenever an interrupt condition is applied the interrupt signal remains high even if the condition returns to a non-interrupt status until a reading to the INT1_SRC register is performed.

The ZHIE, ZLIE, YHIE, YLIE, XHIE, and HLIE bits of the INT1_CFG register allow to decide on which axis the interrupt decision must be performed and on which direction the threshold must be passed to generate the interrupt request.

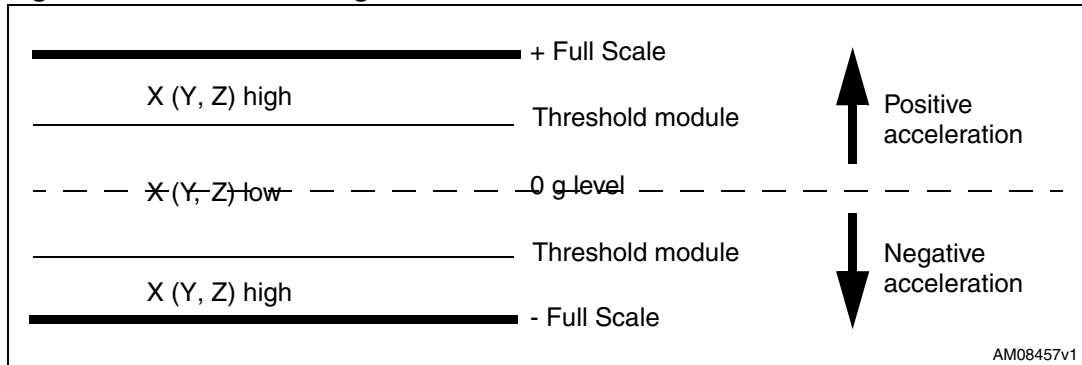
Figure 7. Free-fall, wake-up interrupt generator



AM02076v1

The threshold module which is used by the system to detect any free-fall or inertial wake-up event is defined by the INT1_THS register. The threshold value is expressed over 7 bits as an unsigned number and is symmetrical around the zero-g level. XH (YH, ZH) is true when the unsigned acceleration value of the X (Y, Z) channel is higher than INT1_THS. Similarly, XL (YL, ZL) low is true when the unsigned acceleration value of the X (Y, Z) channel is lower than INT1_THS. Refer to [Figure 8](#) for more details.

Figure 8. FF_WU_CFG high and low

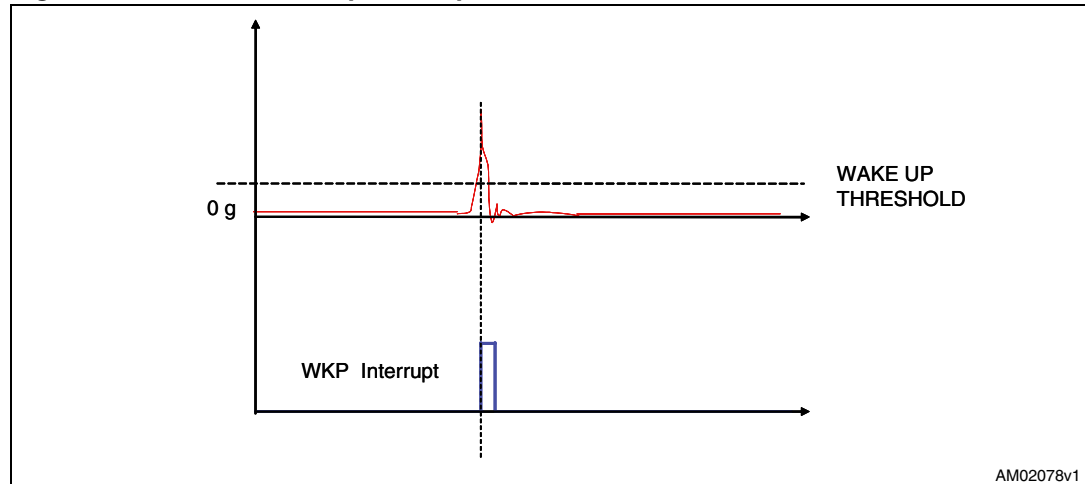


AM08457v1

6.3.1 Inertial wake-up

Wake-up interrupt refers to a specific configuration of the INT1_CTRL register that allows interrupt generation when the acceleration on the configured axis exceeds a defined threshold (*Figure 9*).

Figure 9. Inertial wake-up interrupt



6.3.2 HP filter bypassed

This paragraph provides a basic algorithm which shows the practical use of the inertial wake-up feature. In particular, with the code below, the device is configured to recognize when the absolute acceleration along either the X or Y axis exceeds a preset threshold (250 mg used in the example). The event which triggers the interrupt is latched inside the device and its occurrence is signalled through the use of the INT1 pin.

1	Write A7h into CTRL_REG1	// Turn on the sensor and enable X, Y, and Z // ODR = 100 Hz
2	Write 00h into CTRL_REG2	// High-pass filter disabled
3	Write 40h into CTRL_REG3	// Interrupt driven to INT1 pad
4	Write 00h into CTRL_REG4	// FS = 2 g
5	Write 08h into CTRL_REG5	// Interrupt latched
6	Write 10h into INT1_THS	// Threshold = 250 mg
7	Write 00h into INT1_DURATION	// Duration = 0
8	Write 0Ah into INT1_CFG	// Enable XH and YH interrupt generation
9	Poll INT1 pad; if INT1=0 then go to 8	// Poll RDY/INT pin waiting for the // wake-up event
10	Read INT1_SRC	// Return the event that has triggered the // interrupt
11	(Wake-up event has occurred; insert your code here)	// Event handling
12	Go to 8	

6.3.3 Using the HP filter

The code provided below gives a basic routine which shows the practical use of the inertial wake-up feature performed on high-pass filtered data. In particular the device is configured to recognize when the high-frequency component of the acceleration applied along either the X, Y, or Z axis exceeds a preset threshold (250 mg used in the example).

The event which triggers the interrupt is latched inside the device and its occurrence is signalled through the use of the INT1 pin.

```

1   Write A7h into CTRL_REG1           // Turn on the sensor, enable X, Y, and Z
                                       // ODR = 100 Hz
2   Write 09h into CTRL_REG2           // High-pass filter enabled on data and interrupt1
3   Write 40h into CTRL_REG3           // Interrupt driven to INT1 pad
4   Write 00h into CTRL_REG4           // FS = 2 g
5   Write 08h into CTRL_REG5           // Interrupt latched
6   Write 10h into INT1_THS            // Threshold = 250 mg
7   Write 00h into INT1_DURATION       // Duration = 0
                                       // Dummy read to force the HP filter to
8   Read HP_FILTER_RESET               // current acceleration value
                                       // (i.e. set reference acceleration/tilt value)
9   Write 2Ah into INT1_CFG            // Configure desired wake-up event
10  Poll INT1 pad; if INT1 = 0 then go to // Poll INT1 pin waiting for the
    9                                  // wake-up event
11  (Wake-up event has occurred; insert // Event handling
    your code here)
12  Read INT1_SRC                      // Return the event that has triggered the
                                       // interrupt and clear interrupt
13  (Insert your code here)           // Event handling
14  Go to 9

```

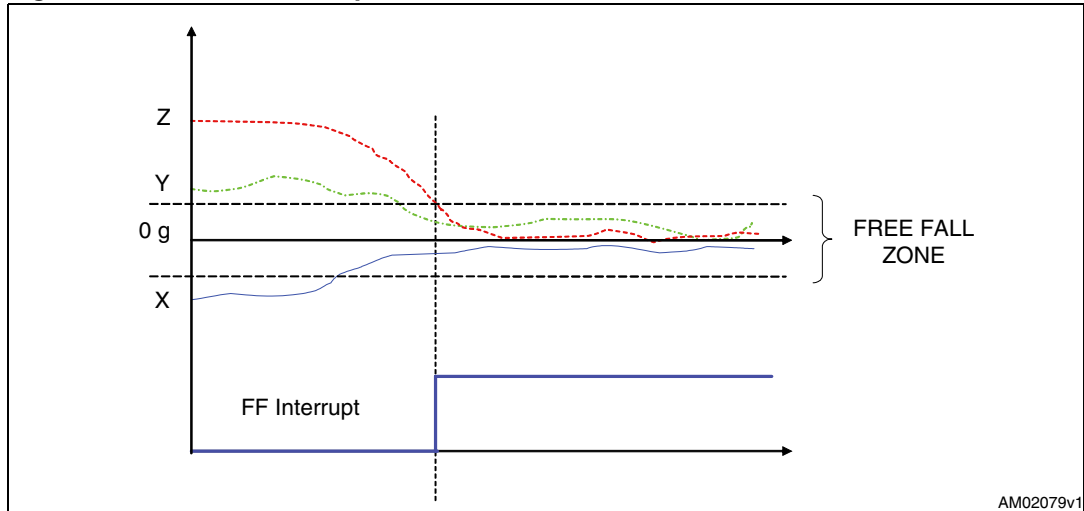
At step 8, a dummy reading at the HP_FILTER_RESET register is performed to set the current/reference acceleration/tilt state against which the device performed the threshold comparison.

This reading may be performed any time it is required to set the orientation/tilt of the device as a reference state without waiting for the filter to settle.

6.4 Free-fall detection

Free-fall detection refers to a specific configuration of INT1_CTRL registers that allows to recognize when the device is free falling: the acceleration measure along all the axes goes to zero. In a real case a “free-fall zone” is defined around the zero-g level where all the accelerations are small enough to generate the interrupt (*Figure 10*).

Figure 10. Free-fall interrupt



This paragraph provides the basics for the use of the free-fall detection feature. In particular, the SW routine that configures the device to detect free-fall events and to signal them is the following:

```

1   Write A7h into CTRL_REG1           // Turn on the sensor, enable X, Y, and Z
                                       // ODR = 100 Hz
2   Write 00h into CTRL_REG2           // High-pass filter disabled
3   Write 40h into CTRL_REG3           // Interrupt driven to INT1 pad
4   Write 00h into CTRL_REG4           // FS = 2 g
5   Write 08h into CTRL_REG5           // Interrupt latched
6   Write 16h into INT1_THS             // Set free-fall threshold = 350 mg
7   Write 03h into INT1_DURATION        // Set minimum event duration
8   Write 95h into INT1_CFG            // Configure free-fall recognition
9   Poll INT1 pad; if INT1 = 0 then go to 10 // Poll INT1 pin waiting for the free-fall event
10  (Free-fall event has occurred; insert your // Event handling
    code here)
11  Read INT1_SRC register              // Clear interrupt request
12  Go to 9

```

The code sample exploits a threshold set at 350 mg for free-fall recognition and the event is notified by the hardware signal INT1. At step 7, the INT1_DURATION register is configured like this to ignore events that are shorter than $3/DR = 3/100 \approx 30$ msec in order to avoid false detections.

Once the free-fall event has occurred, a reading of the INT1_SRC register clears the request and the device is ready to recognize other events.

7 6D/4D orientation detection

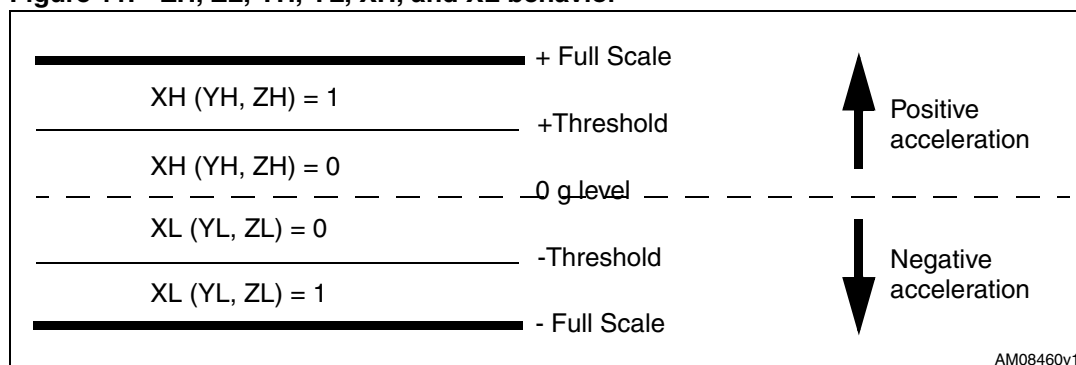
The LIS3DH provides an advanced capability to detect the orientation of the device in the space, enabling easy implementation of an energy saving procedure and automatic image rotation for handheld devices.

7.1 6D orientation detection

The 6D orientation direction function can be enabled through AOI and 6D bits of the INT1_CFG register. When configured for 6D function, the ZH, ZL, YH, YL, XH, and XL bits of INT1_SRC give information about the value of the acceleration generating the interrupt when it is greater than the threshold, and about its sign. In more detail:

- ZH (YH, XH) is 1 when the sensed acceleration is bigger than the threshold in the positive direction
- ZL (YL, XL) is 1 when the sensed acceleration is bigger than the threshold in the negative direction.

Figure 11. ZH, ZL, YH, YL, XH, and XL behavior



There are two possible configurations for the 6D direction function:

- 6D movement recognition: In this configuration the interrupt is generated when the device moves from a direction (known or unknown) to a different known direction. The interrupt is active only for 1/ODR
- 6D position recognition: In this configuration the interrupt is generated when the device is stable in a known direction. The interrupt is active as long as position is maintained ([Figure 12, \(a\)](#) and [\(b\)](#)).

Referring to [Figure 12](#), the 6D movement line shows the behavior of the interrupt when the device is configured for 6D movement recognition on the X and Y axis (INT1_CFG = 0x4Ah), while the 6D position line shows the behavior of the interrupt when the device is configured for 6D position recognition on the X and Y axis (INT1_CFG = 0xCAh). INT1_THS is set to 0x21.

Referring to [Figure 13](#), the device has been configured for 6D position function on X, Y, and Z axes. [Table 17](#) shows the content of the INT1_SRC register for each position.

Figure 12. 6D movement vs. 6D position

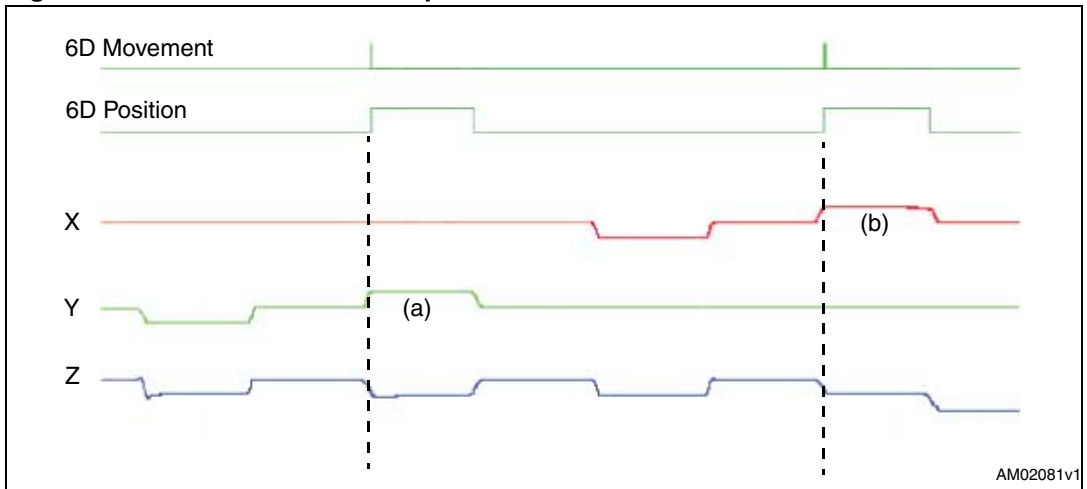


Figure 13. 6D recognized positions

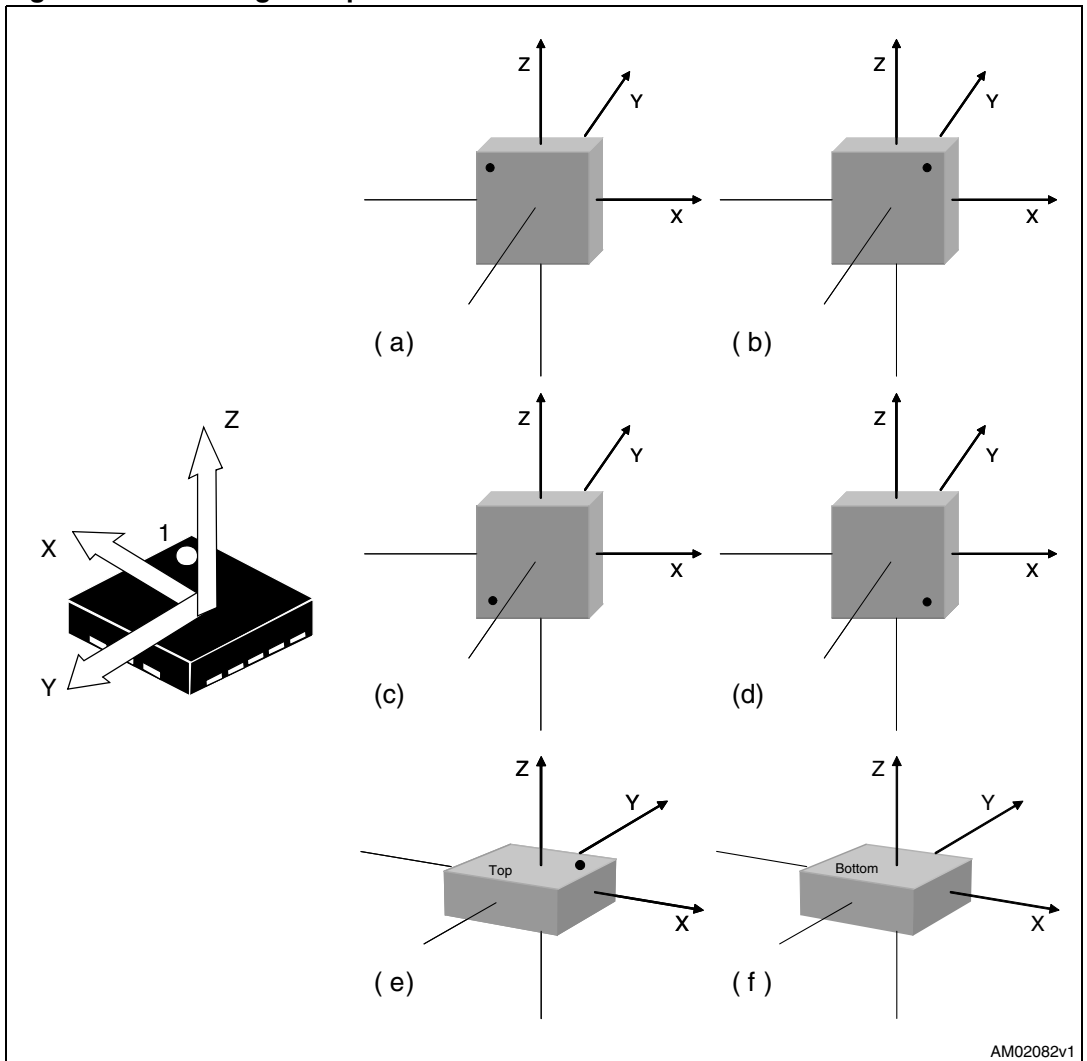


Table 17. INT1_SRC register in 6D position

Case	IA	ZH	ZL	YH	YL	XH	XL
(a)	1	0	0	0	1	0	0
(b)	1	0	0	0	0	1	0
(c)	1	0	0	0	0	0	1
(d)	1	0	0	1	0	0	0
(e)	1	1	0	0	0	0	0
(f)	1	0	1	0	0	0	0

7.2 4D direction

The 4D direction function is a subset of the 6D function especially defined to be implemented in handheld devices. It can be enabled by setting the D4D_INT1 bit of CTRL_REG5 to 1 when the 6D bit on INT1_CFG is set to 1. In this configuration, Z axis position detection is disabled, therefore reducing position recognition to cases (a), (b), (c), and (d) of [Table 17](#).

8 Click and double click recognition

The single click and double click recognition functions featured in the LIS3DH help to create a man-machine interface with little software loading. The device can be configured to output an interrupt signal on a dedicated pin when tapped in any direction.

If the sensor is exposed to a single input stimulus, it generates an interrupt request on inertial interrupt pin INT1 and/or INT2. A more advanced feature allows the generation of an interrupt request when a double input stimulus with programmable time between the two events is recognized, enabling a mouse button-like function.

This function can be fully programmed by the user in terms of expected amplitude and timing of the stimuli by means of the dedicated set of registers described in [Section 8.3](#).

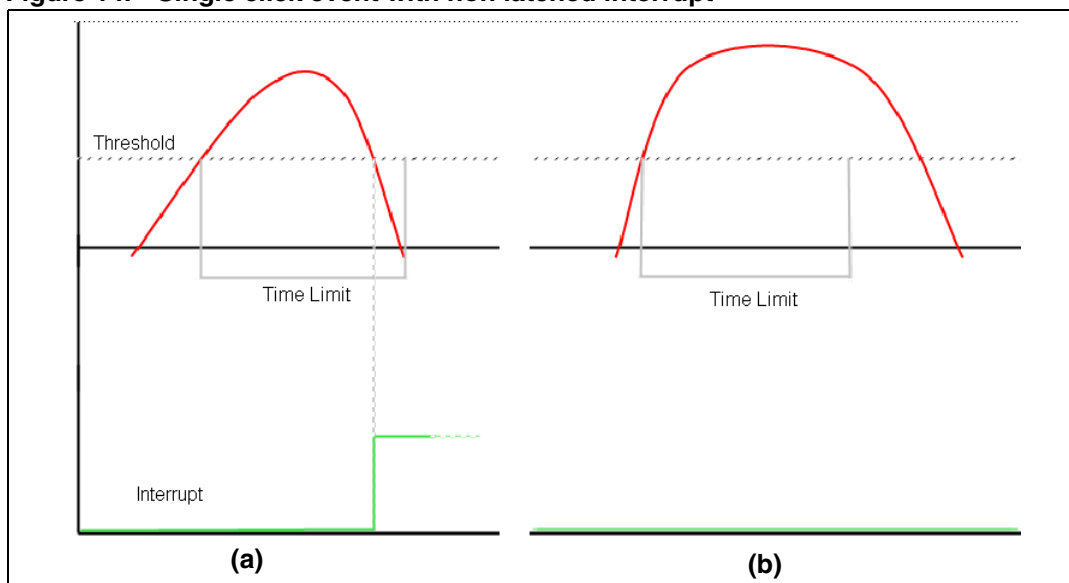
Single and double click recognition works independently on the selected output data rate.

8.1 Single click

If the device is configured for single click event detection, an interrupt is generated when the input acceleration on the selected channel exceeds the programmed threshold, and returns below it within a time window defined by the TimeLimit register.

If the LIR bit of the TAP_CFG register is not set, the interrupt is kept high for the duration of the latency window. If the LIR bit is set, the interrupt is kept high until the TAP_SRC register is read.

Figure 14. Single click event with non latched interrupt



In [Figure 14\(a\)](#) the click has been recognized, while in [Figure 14\(b\)](#) the click has not been recognized because the acceleration goes under the threshold after the TimeLimit has expired.

8.2 Double click

If the device is configured for double click event detection, an interrupt is generated when, after a first click, a second click is recognized. The recognition of the second click occurs only if the event satisfies the rules defined by the latency and windows registers.

In particular, after the first click has been recognized, the second click detection procedure is delayed for an interval defined by the latency register. This means that after the first click has been recognized, the second click detection procedure starts only if the input acceleration exceeds the threshold after the latency window but before the window has expired (*Figure 15 (a)*), or if the acceleration is still above the threshold after the latency has expired (*Figure 16 (b)*).

Once the second click detection procedure is initiated, the second click is recognized with the same rule as the first: the acceleration must return below the threshold before the TimeLimit has expired.

It is important to appropriately define the latency window to avoid unwanted clicks due to spurious bouncing of the input signal.

Figure 15. Single and double click recognition

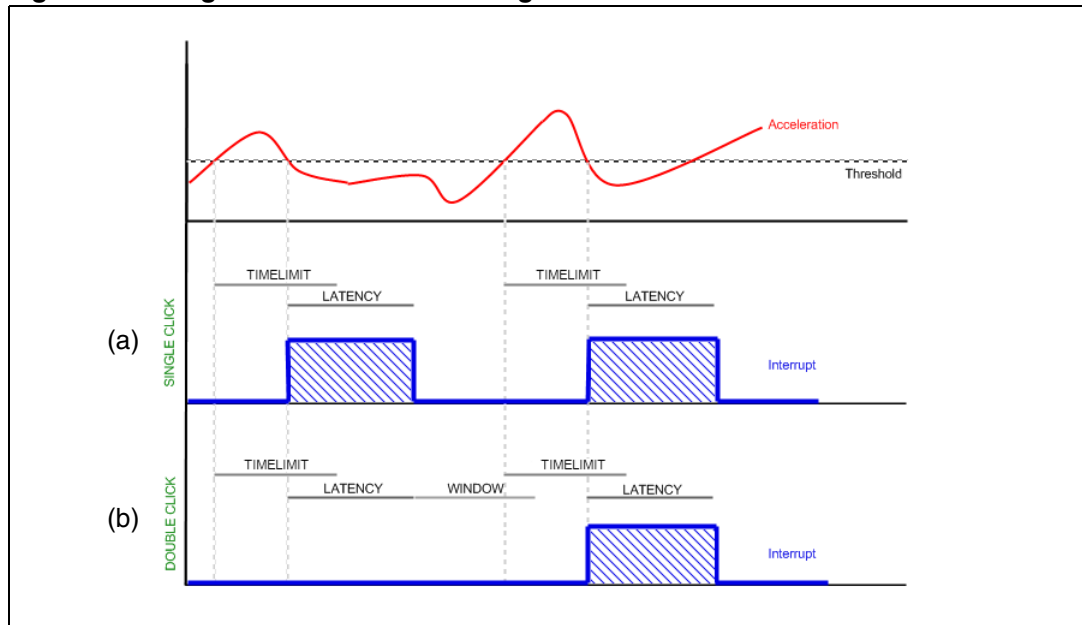
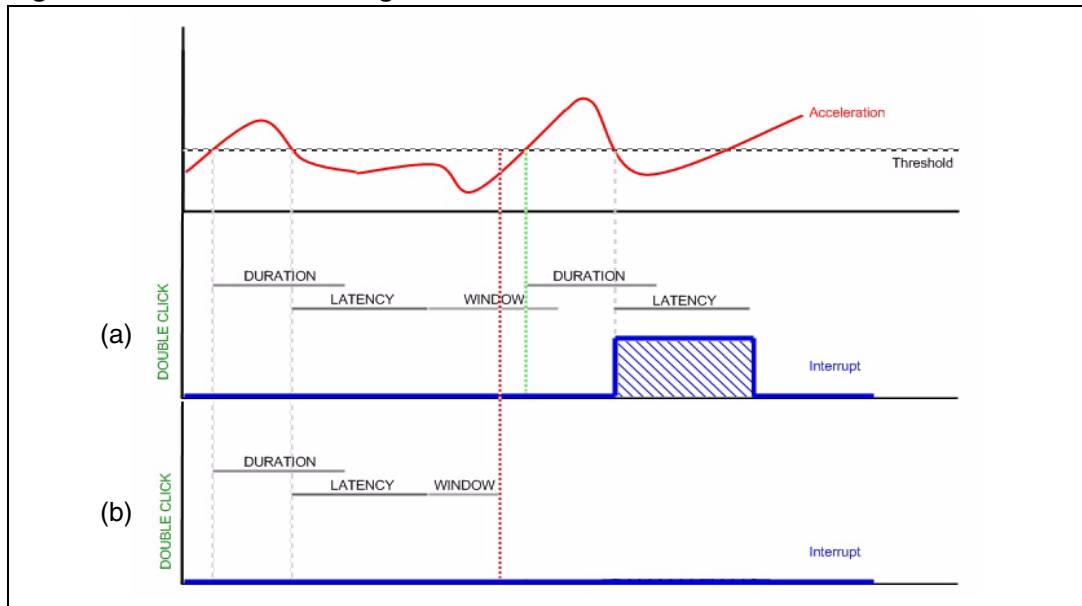


Figure 15 illustrates a single click event (a) and a double click event (b). The device is able to distinguish between (a) and (b) by changing the settings of the TAP_CFG register from single to double click recognition.

Figure 16. Double click recognition



In [Figure 16\(a\)](#) the double click event has been correctly recognized, while in [Figure 16\(b\)](#) the interrupt has not been generated because the input acceleration exceeds the threshold after the window interval has expired.

8.3 Register description

8.3.1 TAP_CFG (38h)

Table 18. TAP_CFG register

-	-	ZD	ZS	YD	YS	XD	XS
---	---	----	----	----	----	----	----

Table 19. TAP_CFG description

ZD	Enable interrupt double tap-tap on Z axis. Default value: 0 (0: disable interrupt request; 1: enable interrupt request on measured accel. value higher than preset threshold)
ZS	Enable interrupt single tap-tap on Z axis. Default value: 0 (0: disable interrupt request; 1: enable interrupt request on measured accel. value higher than preset threshold)
YD	Enable interrupt double tap-tap on Y axis. Default value: 0 (0: disable interrupt request; 1: enable interrupt request on measured accel. value higher than preset threshold)
YS	Enable interrupt single tap-tap on Y axis. Default value: 0 (0: disable interrupt request; 1: enable interrupt request on measured accel. value higher than preset threshold)

Table 19. TAP_CFG description (continued)

XD	Enable interrupt double tap-tap on X axis. Default value: 0 (0: disable interrupt request; 1: enable interrupt request on measured accel. value higher than preset threshold)
XS	Enable interrupt single tap-tap on X axis. Default value: 0 (0: disable interrupt request; 1: enable interrupt request on measured accel. value higher than preset threshold)

Table 20. Truth table

DZ / DY / DX	SZ / Y / X	Click output
0	0	0
0	1	Single
1	0	Double
1	1	Single or double

8.3.2 TAP_SRC (39h)

Table 21. TAP_SRC register

-	IA	Dtap	Stap	Sign	Z	Y	X
---	----	------	------	------	---	---	---

Table 22. TAP_SRC description

-	-
IA	Interrupt active. Default value: 0 (0: no interrupt has been generated; 1: one or more interrupts have been generated)
Dtap	Double tap-tap enable. Default value: 0 (0: double tap-tap detection disable, 1: double tap-tap detection enable)
Stap	Single tap-tap enable. Default value: 0 (0: single tap-tap detection disable, 1: single tap-tap detection enable)
Sign	Tap-tap sign. 0: positive detection, 1: negative detection
Z	Z tap-tap detection. Default value: 0 (0: no interrupt, 1: Z high event has occurred)
Y	Y tap-tap detection. Default value: 0 (0: no interrupt, 1: Y high event has occurred)
X	X tap-tap detection. Default value: 0 (0: no interrupt, 1: X high event has occurred)

8.3.3 TAP_THS (3Ah)

Table 23. TAP_THS register

-	THS6	THS5	THS4	THS3	THS2	THS1	THS0
---	------	------	------	------	------	------	------

Table 24. TAP_SRC description

THS6-THS0	Tap-Tap threshold. Default value: 000 0000
-----------	--

1 LSB = full scale/128.

THS6 through THS0 define the threshold which is used by the system to start the click detection procedure. The threshold value is expressed over 6 bits as an unsigned number.

8.3.4 TIME_LIMIT (3Bh)

Table 25. TIME_LIMIT register

-	TLI6	TLI5	TLI4	TLI3	TLI2	TLI1	TLI0
---	------	------	------	------	------	------	------

Table 26. TIME_LIMIT register

TLI7-TLI0	Tap-Tap Time Limit. Default value: 000 0000
-----------	---

1 LSB = 1/ODR.

TLI7 through TLI0 define the maximum time interval that can elapse between the start of the click detection procedure (the acceleration on the selected channel exceeds the programmed threshold) and when the acceleration goes back below the threshold.

8.3.5 TIME_LATENCY (3Ch)

Table 27. TIME_LATENCY register

TLA7	TLA6	TLA5	TLA4	TLA3	TLA2	TLA1	TLA0
------	------	------	------	------	------	------	------

Table 28. TIME_LATENCY description

TLA7-TLA0	Tap-Tap Time Latency. Default value: 000 0000
-----------	---

1 LSB = 1/ODR.

TLA7 through TLA0 define the time interval that starts after the first click detection where the click detection procedure is disabled, in cases where the device is configured for double click detection.

8.3.6 TIME WINDOW (3Dh)

Table 29. TIME_WINDOW description

TW7	TW6	TW5	TW4	TW3	TW2	TW1	TW0
-----	-----	-----	-----	-----	-----	-----	-----

Table 30. TIME_LATENCY description

TW7-TW0	Tap-Tap Time Window
---------	---------------------

1 LSB = 1/ODR.

TW7 through TW0 define the maximum interval of time that can elapse after the end of the latency interval in which the click detection procedure can start, in cases where the device is configured for double click detection.

8.3.7 CTRL_REG3 [Interrupt CTRL register] (22h)

Table 31. CTRL_REG3 register

I1_TAP	I1_INT1	-	I1_DRDY1	I1_DRDY2	I1_WTM	I1_OVERRUN	-
--------	---------	---	----------	----------	--------	------------	---

Table 32. CTRL_REG3 description

I1_TAP	Tap interrupt on INT1. Default value 0. (0: disable; 1: enable)
I1_INT1	Interrupt generator 1 on INT1 pin. Default value 0. (0: disable; 1: enable)
I1_DRDY1	DRDY1 interrupt on INT1. Default value 0. (0: disable; 1: enable)
I1_DRDY2	DRDY2 interrupt on INT1. Default value 0. (0: disable; 1: enable)
I1_WTM	FIFO watermark interrupt on INT1. Default value 0. (0: disable; 1: enable)
I1_OVERRUN	FIFO overrun interrupt on INT1. Default value 0. (0: disable; 1: enable)

8.4 Examples

The following figures show the click interrupt generation in different conditions. The illustrations have been captured on a PC running the demonstration kit GUI interface with ODR set to 400 Hz and full scale to 4 g. The content of the LIS3DH registers have been modified via the dedicated panel of the software interface that allows the user to evaluate all the different settings and features of the click embedded function. In the following examples, only the X axis has been enabled for the click interrupt generation.

8.4.1 Playing with TAP_TimeLimit

Figure 17 shows an acquisition carried out with TAP_TimeLimit = 01h (2.5 ms). With this setting, the single click recognition window is short and often the acceleration does not return below the threshold in time.

In Figure 18 an acquisition done with TAP_TimeLimit = 33h (127 ms) is shown. With this setting the single click recognition window is longer, and it is easier for the event to be recognized.

Figure 17. Short TimeLimit

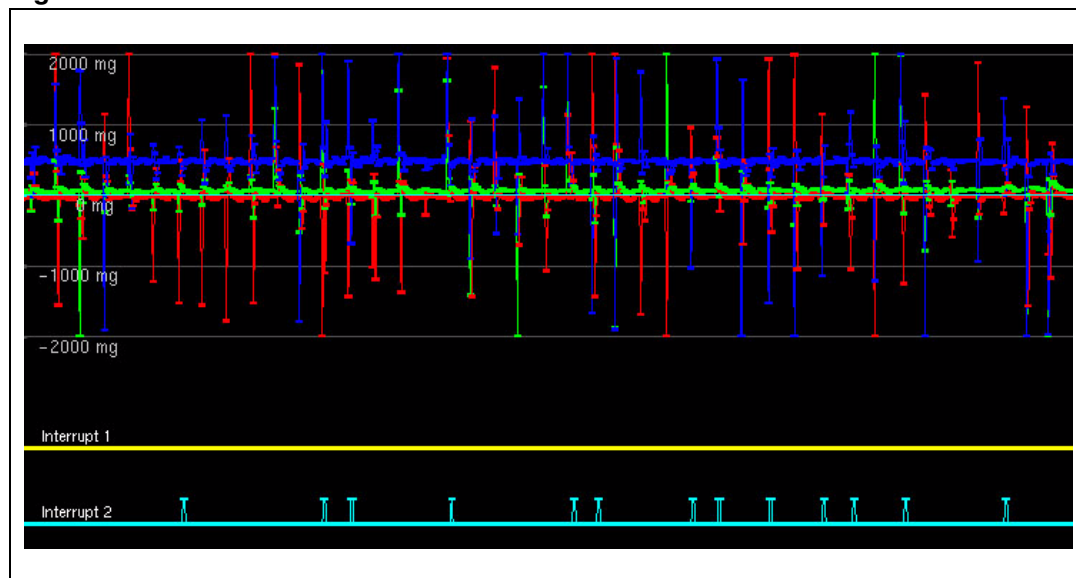
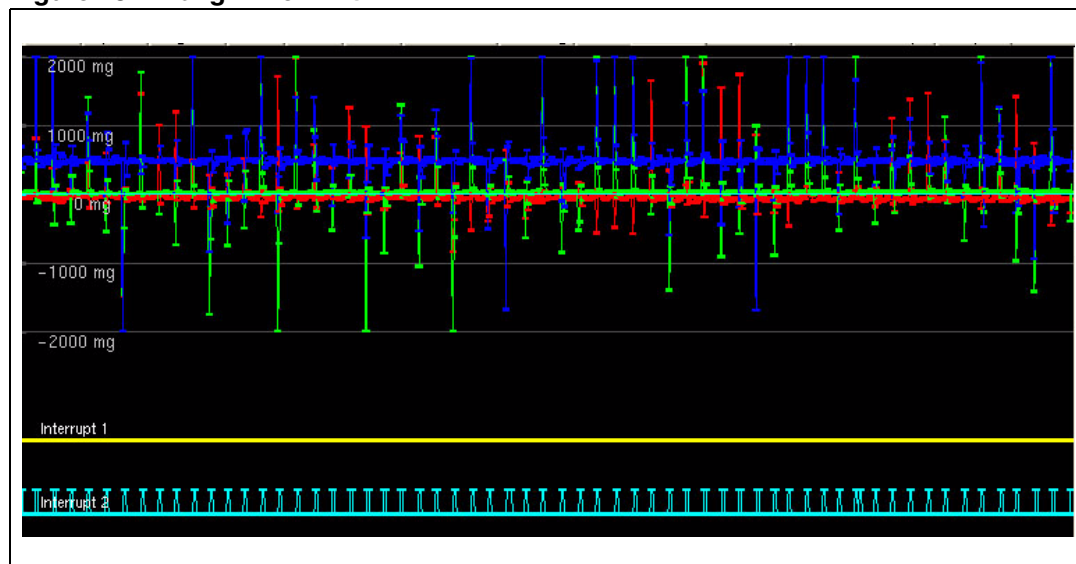


Figure 18. Long TimeLimit



8.4.2 Playing with TAP_Latency

Figure 19 illustrates an acquisition done with TAP_Latency = 15h (52 ms). With this setting the device recognizes nearly every acceleration peak as a click.

In Figure 20 an acquisition carried out with TAP_Latency = FFh (637 ms) is displayed. With this setting the device recognizes one peak in every two as a click.

Figure 19. Short latency

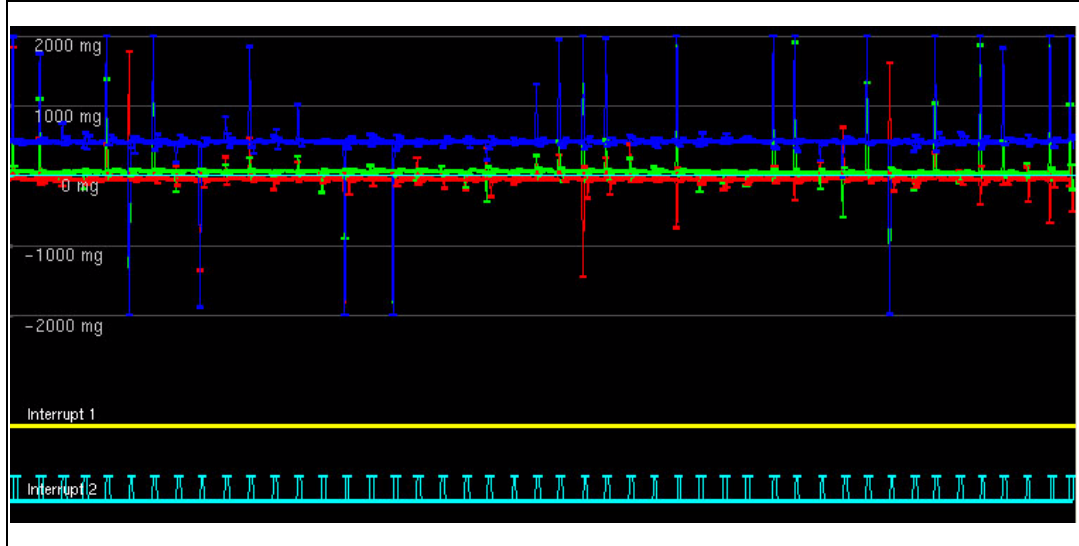
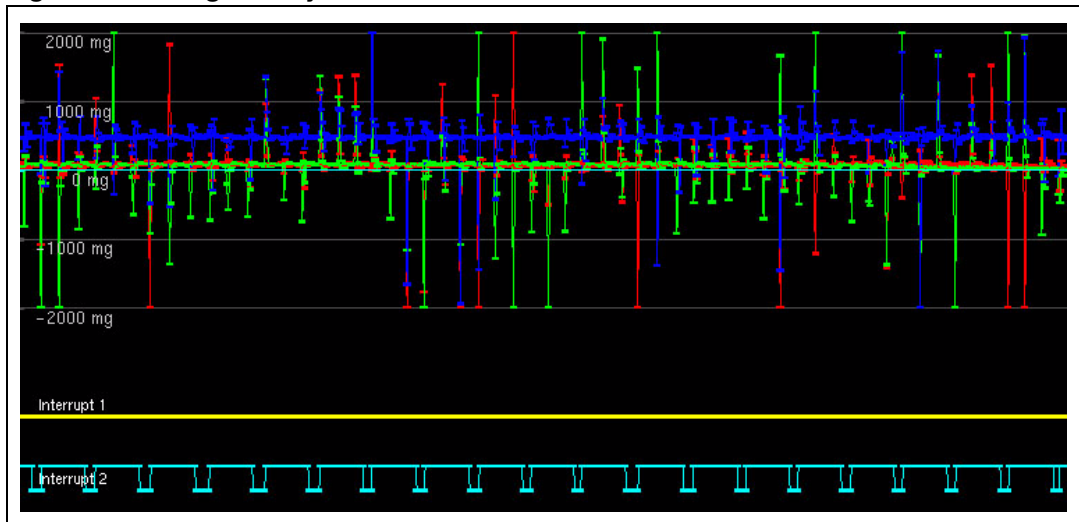


Figure 20. Long latency



8.4.3 Playing with TAP_Window

In cases of double click recognition, the TAP_Latency + TAP_Window defines the maximum distance between two consecutive clicks to be recognized as a double click event. By fixing the latency to avoid spurious bouncing of the signal, it is possible to play with the TAP_Window as with the “double click speed” settings of the mouse properties on the PC.

Figure 21 shows an acquisition done with TAP_Window = 42h (1065 ms). With this setting the two consecutive peaks of acceleration are too far apart and the second one occurs outside of the window.

In Figure 22 an acquisition carried out with TAP_Window = FFh (637 ms) is shown. With this setting the device correctly generates the double click interrupt after the second acceleration peak.

Figure 21. Short window

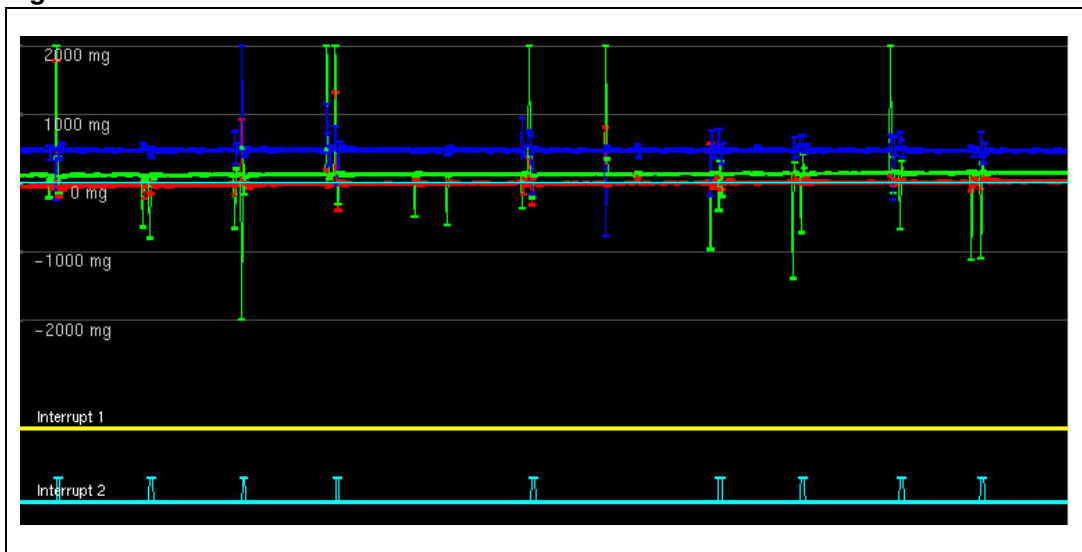
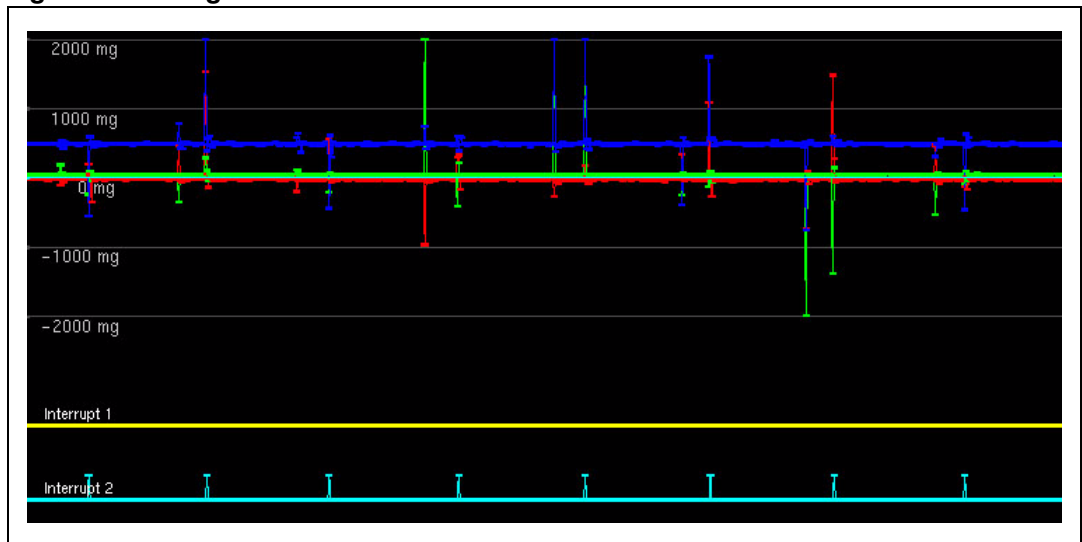


Figure 22. Long window



9 First in first out (FIFO) buffer

In order to decrease the host processor interaction and facilitate post processing data for events recognition, LIS3DH embeds a first in first out buffer (FIFO) for each of the three output channels, X, Y, and Z.

FIFO use allows a consistent power saving for the system, it can wake-up only when needed and burst the significant data out from the FIFO.

The FIFO buffer can work according to four different modes that guarantee a high-level of flexibility during application development: Bypass mode, FIFO mode, Stream mode, and Stream-to-FIFO mode.

The programmable watermark level and FIFO overrun event can be enabled to generate dedicated interrupts on the INT1 pin.

9.1 FIFO description

The FIFO buffer is able to store up to 32 acceleration samples of 10 bits for each channel; data are stored in the 16-bit 2's complement left justified representation.

The data samples set consists of 6 bytes (Xl, Xh, Yl, Yh, Zl, and Zh) and they are released to the FIFO at the selected output data rate (ODR).

The new sample set is placed in the first empty FIFO slot until the buffer is full, therefore, the oldest value is overwritten.

Table 33. FIFO buffer Full Representation (32nd sample set stored)

Output Registers	0x28h	0x29h	0x2Ah	0x2Bh	0x2Ch	0x2Dh
	Xl(0)	Xh(0)	Yl(0)	Yh(0)	Zl(0)	Zh(0)
FIFO INDEx	FIFO Sample Set					
FIFO(0)	Xl(0)	Xh(0)	Yl(0)	Yh(0)	Zl(0)	Zh(0)
FIFO(1)	Xl(1)	Xh(1)	Yl(1)	Yh(1)	Zl(1)	Zh(1)
FIFO(2)	Xl(2)	Xh(2)	Yl(2)	Yh(2)	Zl(2)	Zh(2)
FIFO(3)	Xl(3)	Xh(3)	Yl(3)	Yh(3)	Zl(3)	Zh(3)
...
...
FIFO(30)	Xl(30)	Xh(30)	Yl(30)	Yh(30)	Zl(30)	Zh(30)
FIFO(31)	Xl(31)	Xh(31)	Yl(31)	Yh(31)	Zl(31)	Zh(31)

Table 34. FIFO Overflow Representation (33rd sample set stored and 1st sample discarded)

Output Registers	0x28h	0x29h	0x2Ah	0x2Bh	0x2Ch	0x2Dh
	Xl(1)	Xh(1)	Yl(1)	Yh(1)	Zl(1)	Zh(1)
FIFO INDEX	Sample Set					
FIFO(0)	Xl(1)	Xh(1)	Yl(1)	Yh(1)	Zl(1)	Zh(1)
FIFO(1)	Xl(2)	Xh(2)	Yl(2)	Yh(2)	Zl(2)	Zh(2)
FIFO(2)	Xl(3)	Xh(3)	Yl(3)	Yh(3)	Zl(3)	Zh(3)
FIFO(3)	Xl(4)	Xh(4)	Yl(4)	Yh(4)	Zl(4)	Zh(4)
...
...
FIFO(30)	Xl(31)	Xh(31)	Yl(31)	Yh(31)	Zl(31)	Zh(31)
FIFO(31)	Xl(32)	Xh(32)	Yl(32)	Yh(32)	Zl(32)	Zh(32)

Table 33 represents the FIFO full status when 32 samples are stored in the buffer while Table 34 represents the next step when the 33rd sample is inserted into FIFO and the 1st sample is overwritten. The new oldest sample set is made available in the output registers.

When FIFO is enabled and mode is different from bypass, the LIS3DH output registers (28h to 2Dh) always contain the oldest FIFO sample set.

9.2 FIFO registers

The FIFO buffer is managed by three different accelerometer registers, two of these allow to enable and configure the FIFO behavior, the third provides information about the buffer status.

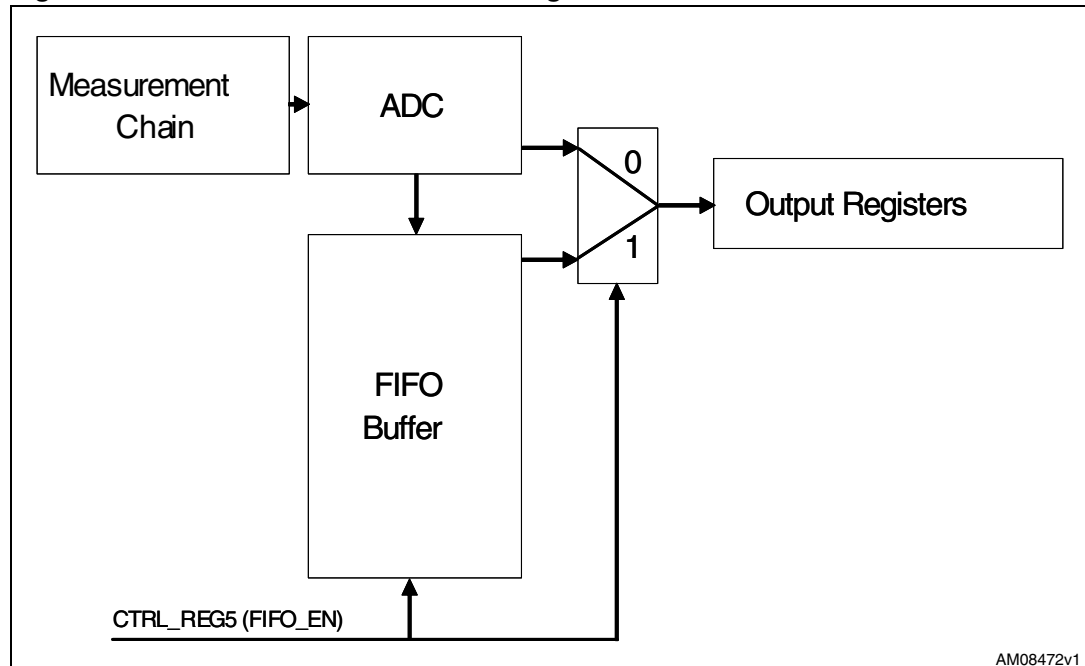
9.2.1 Control register 5 (0x24)

The FIFO_EN bit in CTRL_REG5 must be set to 1 in order to enable the internal first in first out buffer; while this bit is set, the accelerometer output registers (28h to 2Dh) don't contain the current acceleration value but they always contain the oldest value stored in FIFO.

Table 35. FIFO enable bit in CTRL_REG5

b7	b6	b5	b4	b3	b2	b1	b0
X	FIFO_EN	X	X	X	X	X	X

Figure 23. FIFO_EN connection block diagram



9.2.2 FIFO control register (0x2E)

This register is dedicated to FIFO mode selection and watermark configuration.

Table 36. FIFO_CTRL_REG

b7	b6	b5	b4	b3	b2	b1	b0
FM1	FM0	0	FTH4	FTH3	FTH2	FTH1	FTH0

FM[1:0] bits are dedicated to define the FIFO buffer behavior selection:

1. FM[1:0] = (0,0): Bypass mode
2. FM[1:0] = (0,1): FIFO mode
3. FM[1:0] = (1,0): Stream mode
4. FM[1:0] = (1,1): Stream-to-FIFO mode

The trigger used to activate stream-to-FIFO mode is related to the IA bit value of the selected INT1_SRC register and does not depend on the interrupt pin value and polarity. The trigger is generated also if the selected interrupt is not driven to an interrupt pin.

FTH[4:0] bits are intended to define the watermark level; when FIFO content exceeds this value the WTM bit is set to "1" in the FIFO source register.

9.2.3 FIFO source register (0x2F)

This register is updated at every ODR and provides information about the FIFO buffer status.

Table 37. FIFO_SRC_REG

b7	b6	b5	b4	b3	b2	b1	b0
WTM	OVRN	EMPTY	FSS4	FSS3	FSS2	FSS1	FSS0

- WTM bit is set high when FIFO content exceeds watermark level.
- OVRN bit is set high when FIFO buffer is full, this means that the FIFO buffer contains 32 unread samples. At the following ODR a new sample set replaces the oldest FIFO value. The OVRN bit is reset when the first sample set has been read.
- EMPTY flag is set high when all FIFO samples have been read and FIFO is empty.
- FSS[4:0] field always contains the current number of unread samples stored in the FIFO buffer. When FIFO is enabled, this value increases at ODR frequency until the buffer is full, whereas, it decreases every time that one sample set is retrieved from FIFO.

Register content is updated synchronous to the FIFO write and read operation.

Table 38. FIFO_SRC_REG behavior assuming FTH[4:0] = 15

WTM	OVRN	EMPTY	FSS[4:1]	Unread FIFO samples	Timing
0	0	1	00000	0	t0
0	0	0	00001	1	t0 + 1/ODR
0	0	0	00010	2	t0 + 2/ODR
...
0	0	0	01111	15	t0 + 15/ODR
1	0	0	10000	16	t0 + 16/ODR
...
1	0	0	11110	30	t0 + 30/ODR
1	0	0	11111	31	t0 + 31/ODR
1	1	0	11111	32	t0 + 32/ODR

The watermark flag and FIFO overrun event can be enabled to generate a dedicated interrupt on the INT1 pin by configuring CTRL_REG3.

Table 39. CTRL_REG3 (0x22)

b7	b6	b5	b4	b3	b2	b1	b0
X	X	X	X	X	I1_WTM	I1_OVRN	X

- I1_WTM bit drives watermark flag (WTM) on the INT1 pin.
- I1_OVRN bit drives overrun event (OVRN) on the INT1 pin.

If both bits are set to “1”, the INT1 pin status is the logical OR combination of the two signals.

9.3 FIFO modes

The LIS3DH FIFO buffer can be configured to operate in four different modes selectable by the FM[1:0] field in FIFO_CTRL_REG. Available configurations ensure a high-level of flexibility and extend the number of functions usable in application development.

Bypass, FIFO, Stream, and Stream-to-FIFO modes are described in the following paragraphs.

9.3.1 Bypass mode

When bypass mode is enabled, FIFO is not operational: buffer content is cleared, output registers (0x28 to 0x2D) are frozen at the last value loaded, and the FIFO buffer remains empty until another mode is selected.

Follow these steps for bypass mode configuration:

1. Turn on FIFO by setting the FIFO_En bit to “1” in control register 5 (0x24). After this operation the FIFO buffer is enabled but isn’t collecting data, output registers are frozen to the last samples set loaded.
2. Activate bypass mode by setting the FN[1:0] field to “00” in the FIFO control register (0x2E). If this mode is enabled, FIFO source register (0x2F) is forced equal to 0x20.

Bypass mode must be used in order to stop and reset the FIFO buffer when a different mode is operating. Note that placing the FIFO buffer into bypass mode clears the whole buffer content.

9.3.2 FIFO mode

In FIFO mode, the buffer continues filling until full (32 sample set stored,) then it stops collecting data and the FIFO content remains unchanged until a different mode is selected.

Follow these steps for FIFO mode configuration:

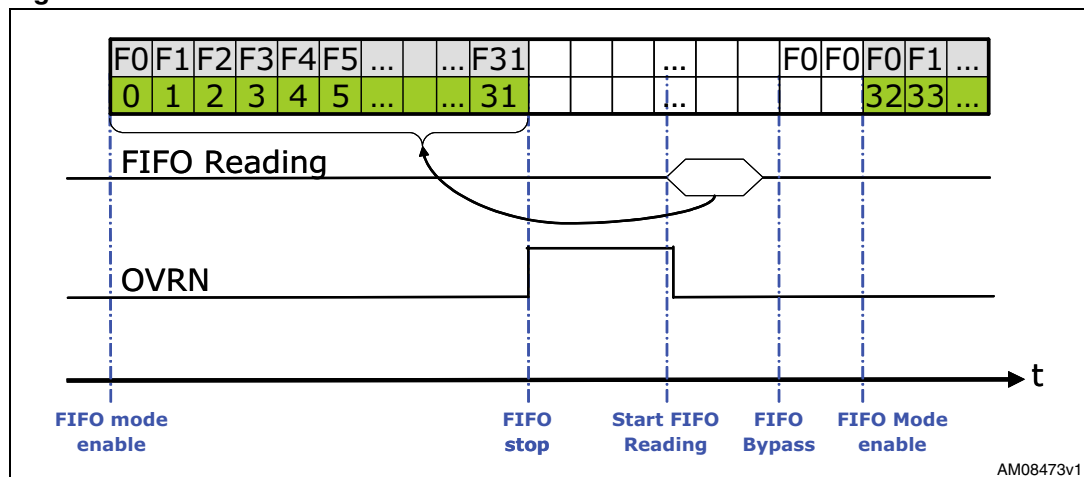
1. Turn on FIFO by setting the FIFO_En bit to “1” in control register 5 (0x24). After this operation the FIFO buffer is enabled but isn’t collecting data, output registers are frozen to the last samples set loaded.
2. Activate FIFO mode by setting the FN[1:0] field to “01” in the FIFO control register (0x2E).

By selecting this mode, FIFO starts data collection and source register (0x2F) changes according to the number of samples stored. At the end of the procedure, the source register is set to 0xDF and the OVRN flag generates an interrupt if the I1_OVRN bit is selected in control register 5. Data can be retrieved when OVRN is set to “1”, performing a 32 sample set reading from the output registers, data can be retrieved also on the WTM flag instead of OVRN if the application requires a lower number of samples. Communication speed is not so important in FIFO mode because data collection is stopped and there is no risk of overwriting acquired data. Before restarting FIFO mode, at the end of the reading procedure it is necessary to transit from bypass mode.

A FIFO mode application hint is reported below:

1. Set FIFO_En = 1: Enable FIFO
2. Set FN[1:0] = (0,1): Enable FIFO mode
3. Wait OVRN or WTM interrupt
4. Read data from accelerometer output registers
5. Set FN[1:0] = (0,0): Enable bypass mode
6. Repeat from point 2

Figure 24. FIFO mode behavior



If FIFO mode is enabled, the buffer starts to collect data and fill all the 32 slots (from F0 to F31) at the selected output data rate. When the buffer is full, the OVRN bit goes up and data collection is permanently stopped; the user can decide to read FIFO content at any time because it is maintained unchanged until bypass mode is selected. The reading procedure is composed of a 32 sample set of 6 bytes for a total of 192 bytes and retrieves data starting from the oldest sample stored in FIFO (F0). The OVRN bit is reset when the first sample set has been read. The bypass mode setting resets FIFO and allows the user to enable FIFO mode again.

9.3.3 Stream mode

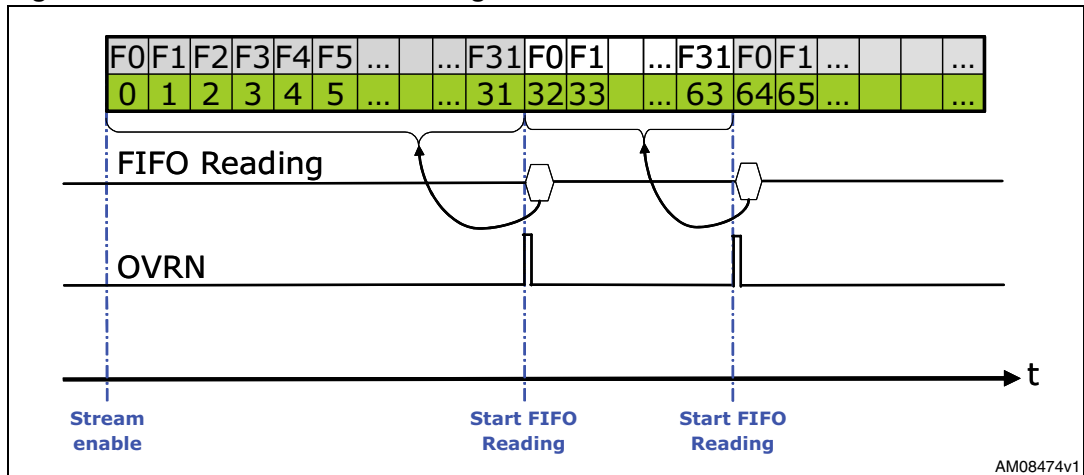
In stream mode FIFO continues filling, when the buffer is full, the FIFO index restarts from the beginning and older data is replaced by the current. The oldest values continue to be overwritten until a read operation makes free FIFO slots available. Host processor reading speed is most important in order to free slots faster than new data is made available. FM[1:0] bypass configuration is used to stop this mode.

Follow these steps for FIFO mode configuration:

1. Turn on FIFO by setting the FIFO_En bit to “1” in control register 5 (0x24). After this operation the FIFO buffer is enabled but isn’t collecting data, output registers are frozen to the last samples set loaded.
2. Activate stream mode by setting the FN[1:0] field to “10” in the FIFO control register (0x2E).

As described, for FIFO mode, data can be retrieved when OVRN is set to “1” performing a 32 sample set reading from output registers, data can be retrieved also on the WTM flag if the application requires a smaller number of samples.

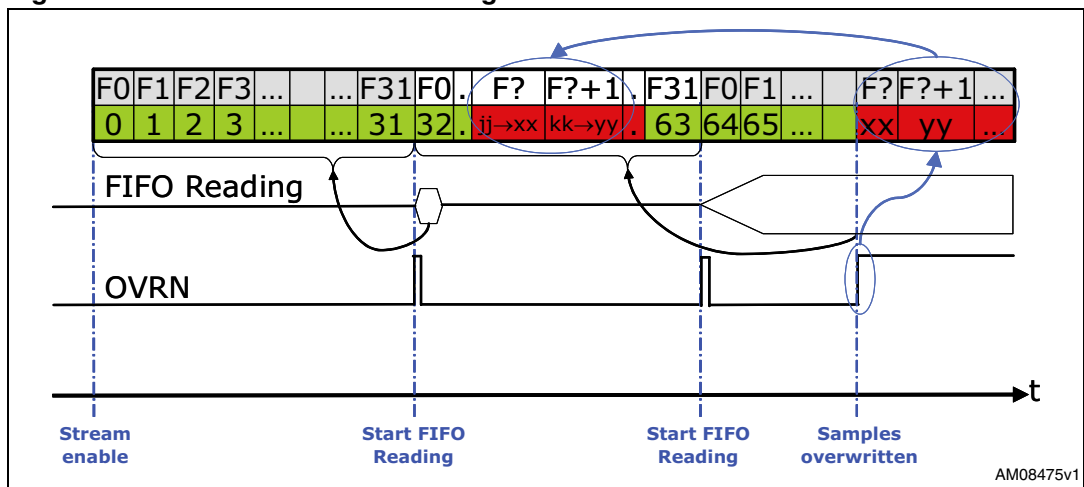
Figure 25. Stream mode fast reading behavior



In stream mode, the FIFO buffer is continuously filling (from F0 to F31) at the selected output data rate. When the buffer is full the OVRN flag goes up and the suggested solution is to read all FIFO samples (192 bytes) faster than $1 \cdot \text{ODR}$, in order to make free FIFO slots available for the new acceleration samples. This allows to avoid loss of data and to decrease the host processor interaction increasing system efficiency. If the reading procedure is not fast enough, three different cases can be observed:

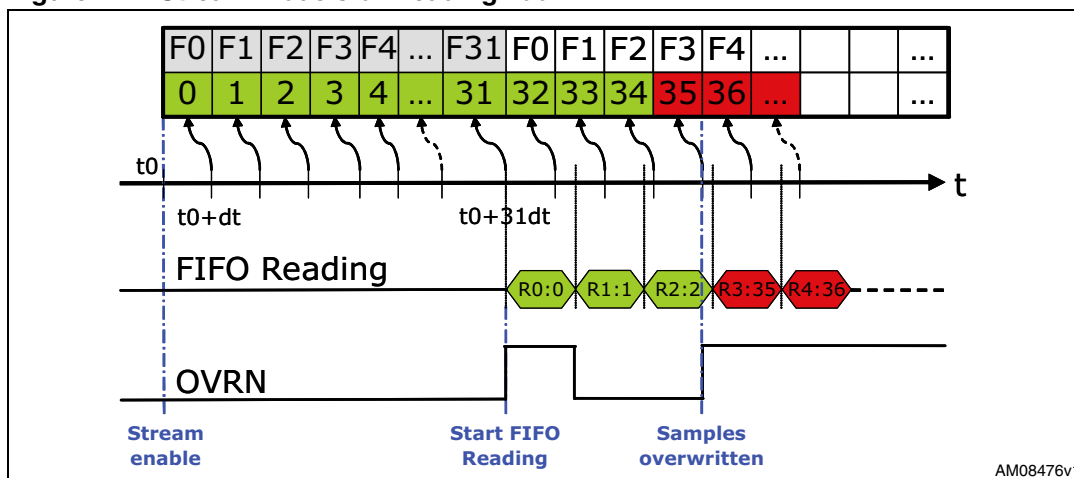
1. FIFO sample set (6 bytes) reading faster than $1 \cdot \text{ODR}$: data are correctly retrieved because a free slot is made available before new data is generated.
2. FIFO sample set (6 bytes) reading synchronous to $1 \cdot \text{ODR}$: data are correctly retrieved because a free slot is made available before new data is generated but FIFO benefits are not exploited. This case is equivalent to read data on data ready interrupt and does not reduce the host processor interaction compared to the standard accelerometer reading.
3. FIFO sample set (6 bytes) reading slower than $1 \cdot \text{ODR}$: in this case some data is lost because data recovery is not fast enough to free slots for new acceleration data [Figure 26](#). The number of correctly recovered samples is related to the difference between the current ODR and the FIFO sample set reading rate.

Figure 26. Stream mode slow reading behavior



In [Figure 26](#), due to slow reading, data from “jj” are not retrieved because they are replaced by the new accelerometer samples generated by the system.

Figure 27. Stream mode slow reading zoom



After stream mode enable, FIFO slots are filled at the end of each ODR time frame. The reading procedure must start as soon as the OVRN flag is set to “1”, data are retrieved from FIFO at the beginning of the reading operation. When a read command is sent to the device, the output registers content is moved to the SPI/I²C register and the current oldest FIFO value is shifted into the output registers in order to allow the next read operation. In the case of a reading slower than 1*ODR, some data can be retrieved from FIFO after that new sample is inserted into the addressed location. In [Figure 27](#) the fourth read command starts after the refresh of the F3 index and this generates a disconnect in the reading data. The OVRN flag advises the user that this event has taken place. In this example, three correct samples have been read, the number of correctly recovered samples is dependent on the difference between the current ODR and the FIFO sample set reading timeframe.

9.3.4 Stream-to-FIFO mode

This mode is a combination of the stream and FIFO modes described above. In stream-to-FIFO mode, the FIFO buffer starts operating in stream mode and switches to FIFO mode when the selected interrupt occurs.

Follow these steps for stream-to-FIFO mode configuration:

1. Configure desired interrupt generator using register INT1_CFG (0x30).
2. Set TRen bit in the FIFO control register (0x2E) according to the configured interrupt generator: TRen = “0” in order to select interrupt 1, TRen = “1” in order to select interrupt 2.
3. Turn on FIFO by setting the FIFO_En bit to “1” in control register 5 (0x24). After this operation the FIFO buffer is enabled but isn’t collecting data, output registers are frozen to the last samples set loaded.
4. Activate stream-to-FIFO mode by setting the FN[1:0] field to “11” in the FIFO control register (0x2E).

The interrupt trigger is related to the IA bit in the INT1_SRC register and it is generated even if the interrupt signal is not driven to an interrupt pad. Mode switch is performed if both IA and OVRN bits are set high. Stream-to-FIFO mode is sensitive to the trigger level and not to the trigger edge, this means that if stream-to-FIFO is in FIFO mode and the interrupt

condition disappears, the FIFO buffer returns to stream mode because the IA bit becomes zero. It is suggested to latch the interrupt signal used as the FIFO trigger in order to avoid losing interrupt events. If the selected interrupt is latched, it is needed to read the register INT1_SRC to clear the IA bit; after reading, the IA bit takes 2*ODR to go low.

In stream mode the FIFO buffer continues filling, when the buffer is full, the OVRN bit is set high and the next samples overwrite the oldest. When trigger occurs, two different cases can be observed:

1. If the FIFO buffer is already full (OVRN = "1"), it stops collecting data at the first sample after trigger. FIFO content is composed of #30 samples collected before the trigger event, the sample that has generated the interrupt event and one sample after trigger.
2. If FIFO isn't yet full (initial transient), it continues filling until it is full (OVRN = "1") and then, if trigger is still present, it stops collecting data.

Figure 28. Stream-to-FIFO mode: interrupt not latched

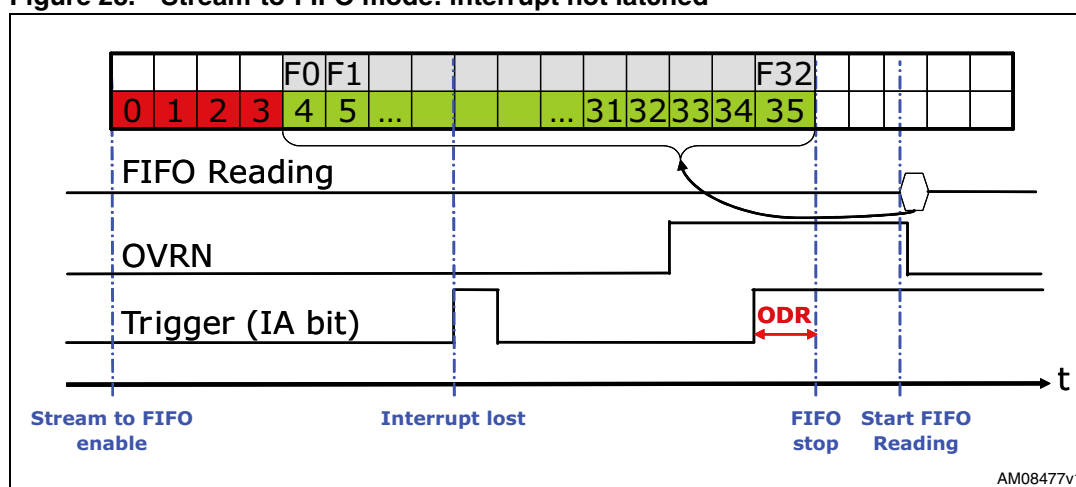
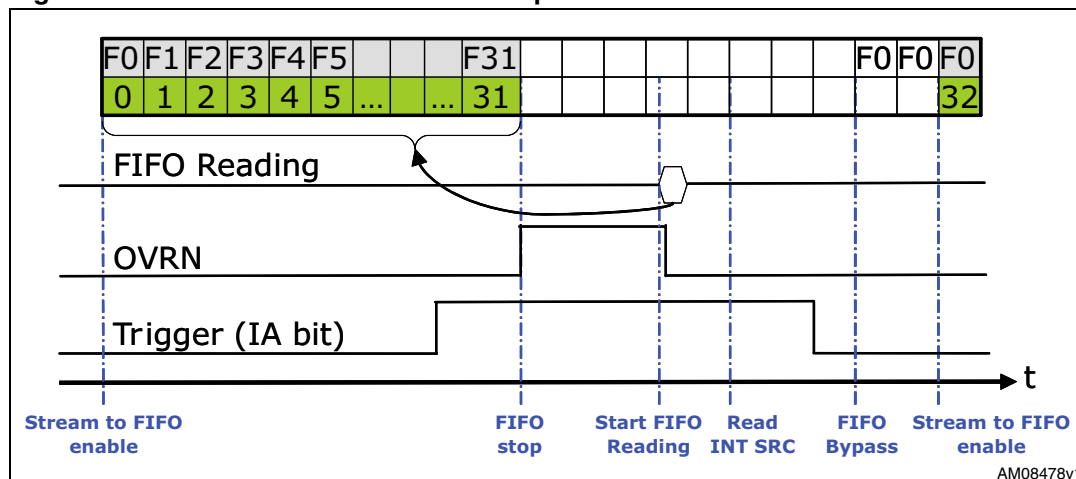


Figure 29. Stream-to-FIFO mode: interrupt latched



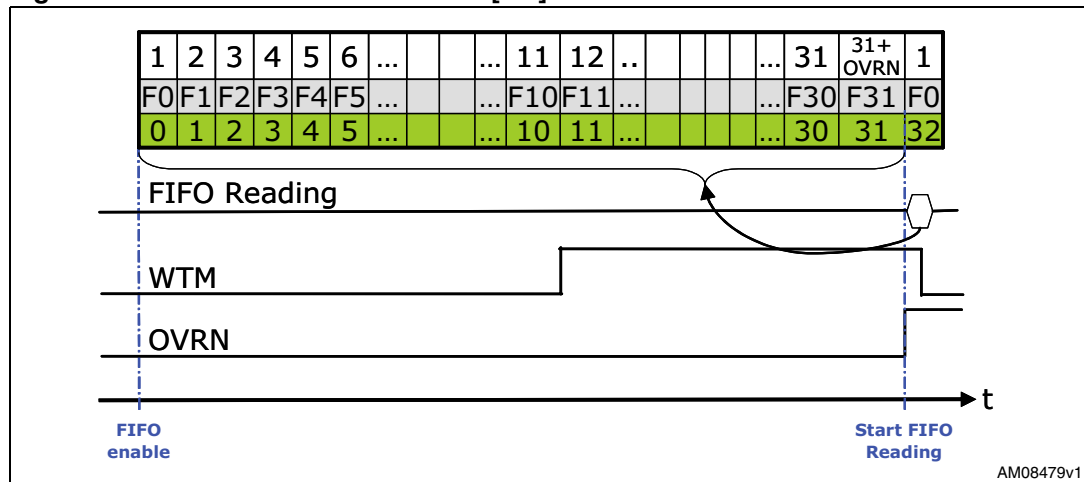
Stream-to-FIFO can be used in order to analyze the samples history that generate an interrupt; the standard operation is to read FIFO content when FIFO mode is triggered and FIFO buffer is full and stopped.

9.4 Watermark

Watermark is a configurable flag that can be used to generate specific interrupt in order to know when the FIFO buffer contains at least the number of samples defined as the watermark level. The user can select the desired level in a range from 0 to 31 using the FTH[4:0] field in the FIFO control register while the FIFO source register FSS[4:0] always contains the number of samples stored in FIFO.

If FSS[4:0] is greater than FTH[4:0], the WTM bit is set high in the FIFO source register, on the contrary, WTM is driven low when the FSS[4:0] field becomes lower than FTH[4:0]. FSS[4:0] increases by one step at the ODR frequency and decreases by one step every time that a sample set reading is performed by the user.

Figure 30. Watermark behavior - FTH[4:0] = 10



In *Figure 30*, the first row indicates the FSS[4:0] value, the second row indicates the relative FIFO slot and last row shows the incremental FIFO data. Assuming FTH[4:0] = 10, the WTM flag changes from “0” to “1” when the eleventh FIFO slot is filled (F10). *Figure 31* shows that the WTM flag goes down when the FIFO content is less than FTH[4:0], it means that nine unread sample sets remain in FIFO.

The watermark flag (WTM) can be enabled to generate a dedicated interrupt on the INT1 pin by setting the I1_WTM bit high in CTRL_REG3.

9.5 Retrieve data from FIFO

When FIFO is enabled and the mode is different to bypass, reading output registers (28h to 2Dh) return the oldest FIFO sample set.

Whenever output registers are read, their content is moved to the SPI/I²C output buffer. FIFO slots are ideally shifted up one level in order to release room for a new sample reception and output registers load the current oldest value stored in the FIFO buffer.

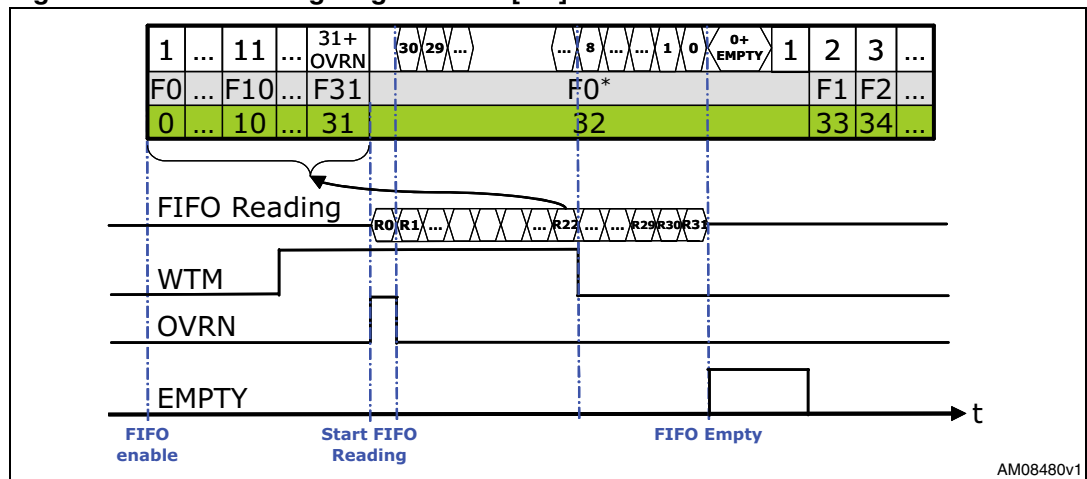
The whole FIFO content is retrieved performing thirty two read operations from accelerometer output registers, every other reading operation returns the same last value until a new sample set is available in the FIFO buffer.

Data can be retrieved from FIFO using every reading byte combination in order to increase the application flexibility (ex: 196 single byte reading, 32 reading of 6 bytes, 1 multiple reading of 196 bytes, etc.).

It is suggested to read all FIFO slots in a multiple byte reading of 196 bytes (6 output registers by 32 slots) faster than 1*ODR. In order to minimize communication between master and slave the reading address is automatically updated by the device; it rolls back to 0x28 when register 0x2D is reached.

In order to avoid losing data, the right ODR must be selected according to the serial communication rate available. In the case of standard I²C mode being used (max rate 100 kHz), a single sample set reading takes 830 μs while total FIFO download is about 17.57ms. I²C speed is lower than SPI and it needs about 29 clock pulses to start communication (Start, Slave Address, Device Address+Write, Restart, Device Address+Read) plus an additional 9 clock pulses for every byte to read. If this suggestion were followed, the complete FIFO reading would be performed faster than 1*ODR, this means that using a standard I²C, the selectable ODR must be lower than 57 Hz. If a fast I²C mode is used (max rate 400 kHz), the selectable ODR must be lower than 228 Hz.

Figure 31. FIFO reading diagram - FTH[4:0] = 10



In [Figure 31](#) “Rx” indicates a 6-byte reading operation and “F0*” represents a single ODR slot stretched for diagram convenience.

10 Auxiliary ADC

The LIS3DH is provided with an auxiliary 10-bit ADC converter multiplexed on the ADC1, ADC2, and ADC3 input pins of the device, therefore allowing the conversion of external analog signals, such as analog output gyroscopes, to the digital world. The digitized data can then be read from the device by reading registers OUT_ADC1_L, OUT_ADC1_H, OUT_ADC2_L, OUT_ADC2_H, OUT_ADC3_L, and OUT_ADC3_H. The conversion status is reported in the STATUS_AUX (07h) register; when auxiliary ADC data are ready, the 321DA bit of the STATUS_AUX register is set to 1.

The status of the 321DA bit can be driven to the INT1 pad by setting the I1_DRY2 bit of CTRL_REG3 to 1.

The auxiliary ADC is enabled by setting the ADC_PD bit of TEMP_CFG_REG (1Fh) to 1.

10.1 Temperature sensor

The LIS3DH is supplied with an internal temperature sensor. Temperature data can be enabled by setting the TEMP_EN bit of the TEMP_CFG_REG register to 1. When the auxiliary ADC and temperature sensor are enabled, the third channel of the ADC is used to digitize temperature sensor output and can be read inside the OUT_3_L and OUT_3_H registers as 2's complement data.

11 Revision history

Table 40. Document revision history

Date	Revision	Changes
14-Jan-2011	1	Initial release.

Please Read Carefully:

Information in this document is provided solely in connection with ST products. STMicroelectronics NV and its subsidiaries ("ST") reserve the right to make changes, corrections, modifications or improvements, to this document, and the products and services described herein at any time, without notice.

All ST products are sold pursuant to ST's terms and conditions of sale.

Purchasers are solely responsible for the choice, selection and use of the ST products and services described herein, and ST assumes no liability whatsoever relating to the choice, selection or use of the ST products and services described herein.

No license, express or implied, by estoppel or otherwise, to any intellectual property rights is granted under this document. If any part of this document refers to any third party products or services it shall not be deemed a license grant by ST for the use of such third party products or services, or any intellectual property contained therein or considered as a warranty covering the use in any manner whatsoever of such third party products or services or any intellectual property contained therein.

UNLESS OTHERWISE SET FORTH IN ST'S TERMS AND CONDITIONS OF SALE ST DISCLAIMS ANY EXPRESS OR IMPLIED WARRANTY WITH RESPECT TO THE USE AND/OR SALE OF ST PRODUCTS INCLUDING WITHOUT LIMITATION IMPLIED WARRANTIES OF MERCHANTABILITY, FITNESS FOR A PARTICULAR PURPOSE (AND THEIR EQUIVALENTS UNDER THE LAWS OF ANY JURISDICTION), OR INFRINGEMENT OF ANY PATENT, COPYRIGHT OR OTHER INTELLECTUAL PROPERTY RIGHT.

UNLESS EXPRESSLY APPROVED IN WRITING BY AN AUTHORIZED ST REPRESENTATIVE, ST PRODUCTS ARE NOT RECOMMENDED, AUTHORIZED OR WARRANTED FOR USE IN MILITARY, AIR CRAFT, SPACE, LIFE SAVING, OR LIFE SUSTAINING APPLICATIONS, NOR IN PRODUCTS OR SYSTEMS WHERE FAILURE OR MALFUNCTION MAY RESULT IN PERSONAL INJURY, DEATH, OR SEVERE PROPERTY OR ENVIRONMENTAL DAMAGE. ST PRODUCTS WHICH ARE NOT SPECIFIED AS "AUTOMOTIVE GRADE" MAY ONLY BE USED IN AUTOMOTIVE APPLICATIONS AT USER'S OWN RISK.

Resale of ST products with provisions different from the statements and/or technical features set forth in this document shall immediately void any warranty granted by ST for the ST product or service described herein and shall not create or extend in any manner whatsoever, any liability of ST.

ST and the ST logo are trademarks or registered trademarks of ST in various countries.

Information in this document supersedes and replaces all information previously supplied.

The ST logo is a registered trademark of STMicroelectronics. All other names are the property of their respective owners.

© 2011 STMicroelectronics - All rights reserved

STMicroelectronics group of companies

Australia - Belgium - Brazil - Canada - China - Czech Republic - Finland - France - Germany - Hong Kong - India - Israel - Italy - Japan - Malaysia - Malta - Morocco - Philippines - Singapore - Spain - Sweden - Switzerland - United Kingdom - United States of America

www.st.com