



PL00100 Series SMD LED 1206 Package

Features

- *Flat lens package 3.2 x 1.6 x 1.1mm
- *GaAsP amber LED chip used
- *Low current requirements
- *High light output
- *Industry standard footprint
- *3000 per reel
- *RoHS compliant

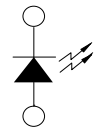
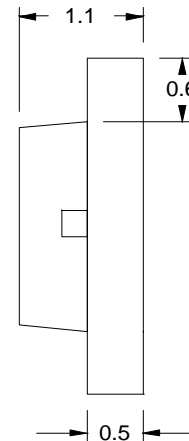
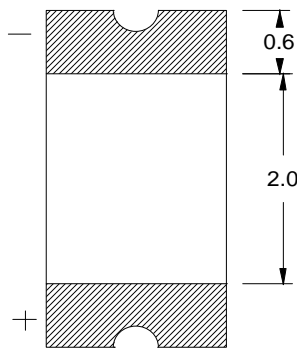
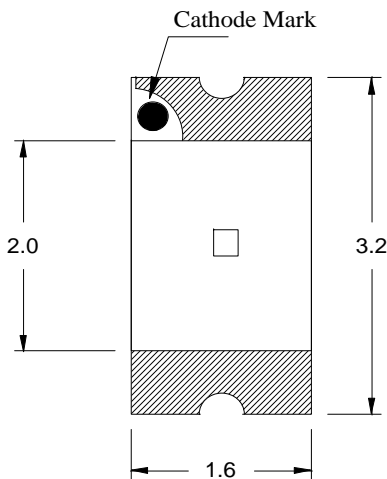
Absolute Maximum Ratings at T_A = 25°C

| | |
|--|----------------------|
| Power Dissipation..... | 65mW |
| Reverse Voltage (<10μA) | 5.0V |
| Max Forward Current | 25mA |
| Peak Forward Current (1/10 Duty Cycle, 0.1ms Pulse Width)..... | 100mA |
| Operating Temperature Range | -40°C to +85°C |
| Storage Temperature Range | -40°C to +85°C |
| Reflow Soldering Temperature..... | 260°C for 10 seconds |

Electrical & Optical Characteristics at T_A = 25°C

| Part Number | Emitting Color | Chip Material | Dominant Wave Length | Peak Wave Length | Viewing Angle 2θ1/2 | Forward Voltage @20mA (V) | | Luminous Intensity @20mA (mcd) | |
|------------------|----------------|---------------|----------------------|------------------|---------------------|---------------------------|-----|--------------------------------|-----|
| | | | | | | Typ | Max | Min | Typ |
| Water Clear Lens | | | nm | nm | Deg | | | | |
| PL00100-WCA02 | Amber | GaAsP | 605 | 610 | 140° | 2.2 | 2.6 | 2.0 | 7.0 |

Package Dimensions are in **Millimeters**. Tolerance is ± 0.25mm unless otherwise specified.



Recommended Soldering Pad Layout

