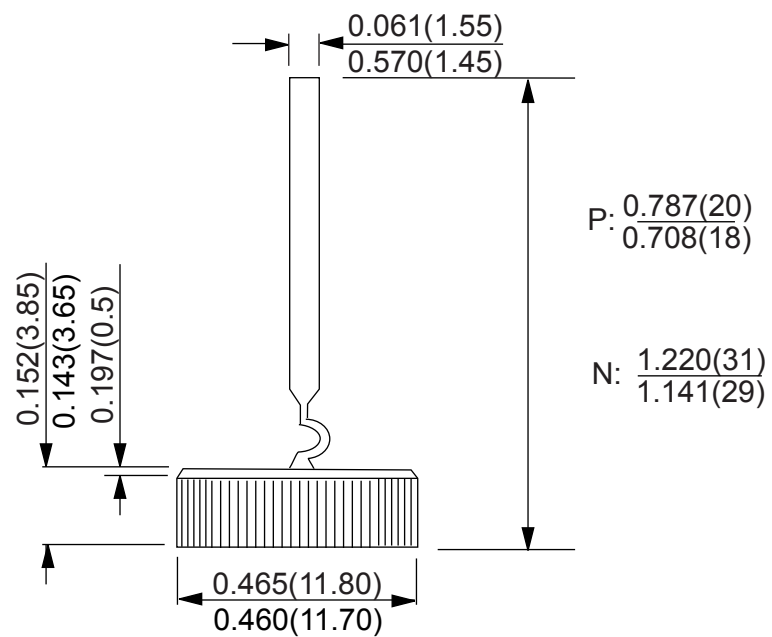


# HITACHI / PRESS-FIT



\*Dimensions in inches and (millimeters)