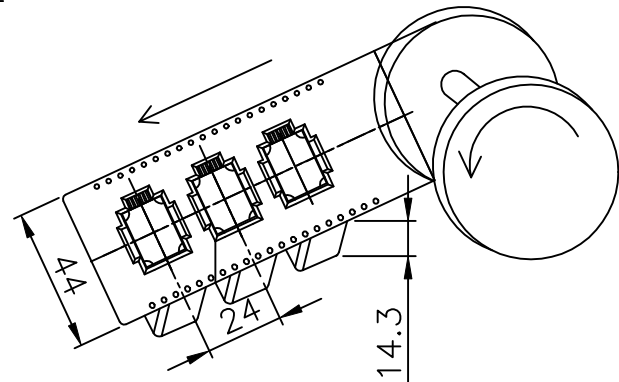
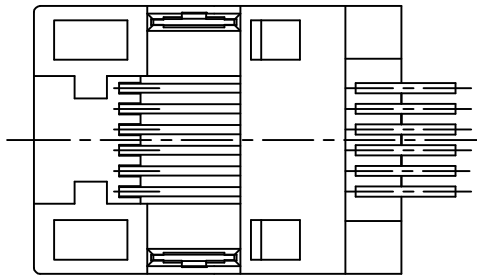
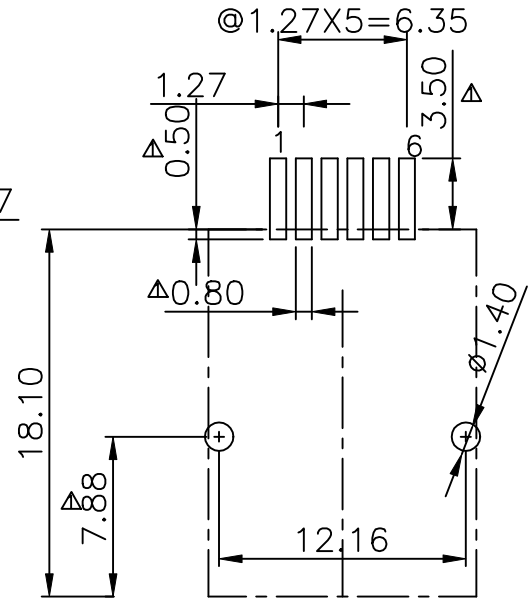
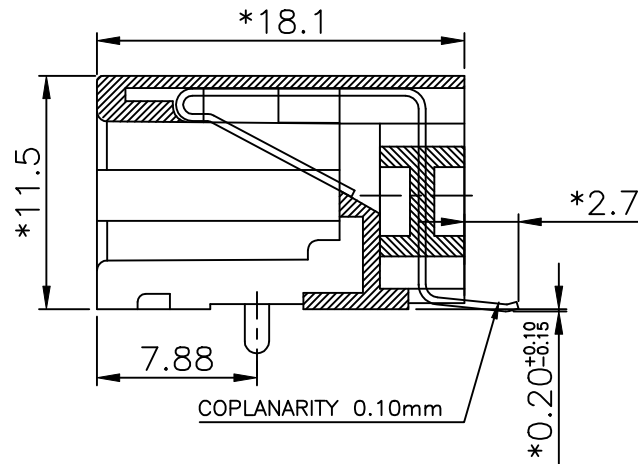
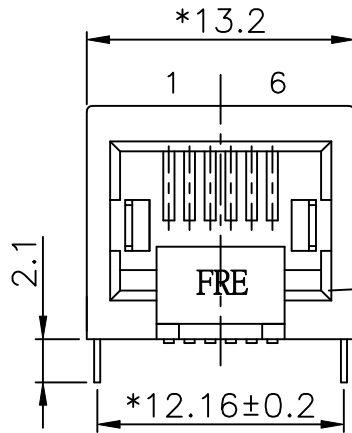


REVISION RECORD				
REV	ECO	DESCRIPTION	DRFT	CHKD
△		Drawing Modify	Synga 8/15/2003	
△		ADD PART NO.	Chengyi 12/29/04*	
△		DEL PART NO. △	ANKUE 04/21/05*	



NOTES:

ELECTRICAL:

- VOLTAGE RATING : 125 VAC RMS.
- CURRENT RATING : 1.5 AMP.
- CONTACT RESISTANCE : 35 MILLIOHMS MAX.
- INSULATION RESISTANCE: 1000 MEGOHMS MIN @ 500 VDC.
- DIELECTRIC STRENGTH : 1000 VAC RMS 60Hz, 1MIN.

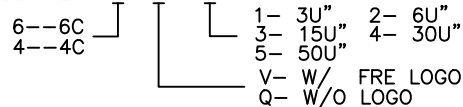
MECHANICAL:

- HOUSING MATERIAL : FR52
- CONTACT MATERIAL : PHOSPHOR BRONZE t=0.35mm.
- PLATING : GOLD PLATING OVER NICKEL.
- OPERATING LIFE : 750 CYCLES MIN.
- PCB RETENTION POST-SOLDER: 10 LBS MIN.

ENVIRONMENTAL:

- STORAGE : -40°C TO +85°C.
 - OPERATION: -40°C TO +85°C.
- MATES WITH MODULAR PLUG CONFORMING TO FCC PART 68, SUBPART F.

PART NUMBER: E536X-FX05YX



← MM (INCH) →		DFTO CZH	DATE 01/31/02'
TOLERANCES EXCEPT AS NOTED		CHKD SAMMY	DATE 2005/4/22
		MFO	DATE
MM	±	APPVLLUSHENG	DATE 2005/4/23
.0	±0.20		
.000	±0.15		
.000	±0.075		
ANGLES ±		MATERIAL :	
THIRD ANGLE PROJECTION		QTY :	
		FINISH :	
		SCALE : 3:1	

FULL RISE ELECTRONIC CO., LTD

TITLE
SIDE ENTRY PCB JACK(SMT) 6P

DRAWING NO. GE533069
/PART NO. SEE NOTE

DO NOT SCALE DRAWING

SHEET X OF Y

H

G

F

E

D

C

B

A