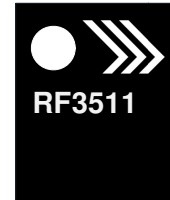


# RF3511

## 3V W-CDMA SINGLE-BAND POWER AMPLIFIER MODULE

The RF3511 single-band linear power amplifier supports B1 (1920-1980MHz) in 3.4V, 50Ω mobile equipment designed for 3G UMTS transmit. RF3511 meets the spectral linearity requirements of HSDPA, HSUPA and HSPA+ with high power added efficiency. Two digital control pins selects high, medium or low power modes to optimize performance and current drain at different power levels. RF3511 integrates a directional coupler that eliminates the need for an external discrete coupler.



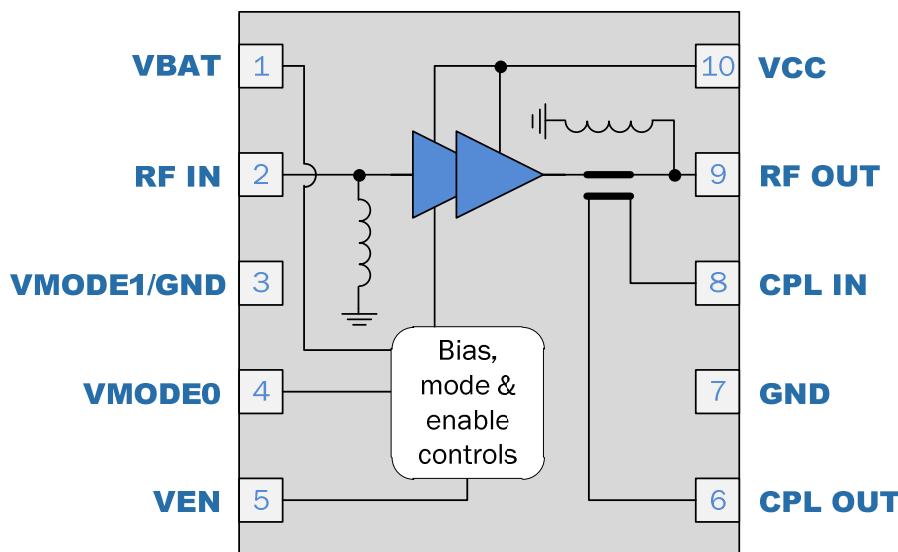
Package: Module, 10-pin,  
2.0mm x 2.5mm x 0.9mm

### Features

- Band 1 Operation
- HSDPA/HSUPA/HSPA+
- Linear Output Power to 27.5 dBm
- High Efficiency 41% at 27.5 dBm
- 3 Power Mode Operation
- Integrated Power Coupler
- No External DC Block Needed
- Digital Control Interface
- Ultra Small and Low Profile Package

### Applications

- WCDMA/HSPDA/HSUPA/HSPA+ Wireless Handsets and Data Cards



Functional Block Diagram

### Ordering Information

RF3511	3V W-CDMA Band 1 PA Module
RF3511SB	5 Piece Sample Bag + 3511-410 PCBA
RF3511SQ	25 Piece Sample Bag
RF3511SR	100 Piece 7" Reel
RF3511TR7	2500 Piece 7" Reel
RF3511TR7X	7" tape and reel, non-standard quantity only
RF3511PCBA-410	Fully Assembled Evaluation Board