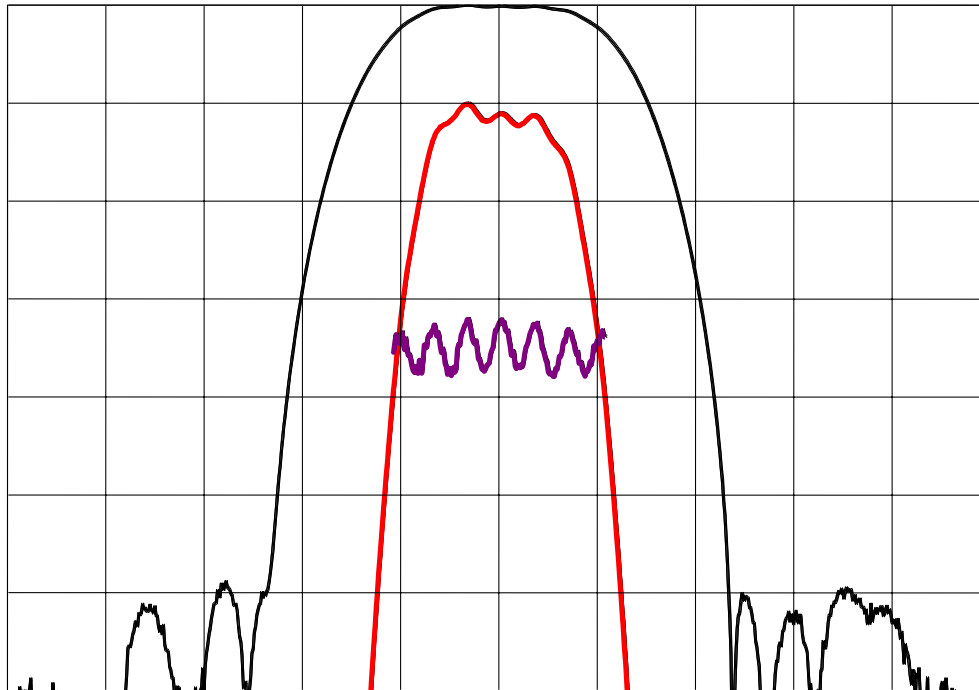


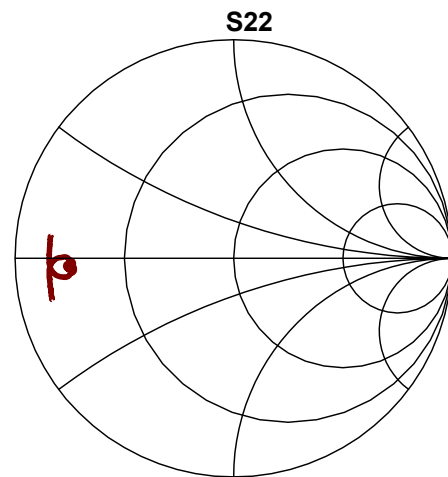
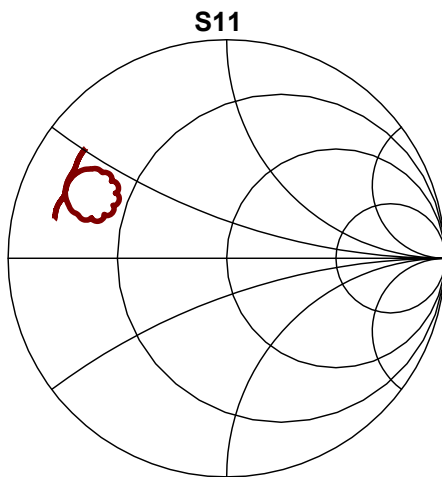
DESCRIPTION

- 70 MHz SAW bandpass filter with 0.75 MHz bandwidth.
- 27 x 12.7 mm DIP.
- RoHS compliant.

TYPICAL PERFORMANCE



Horizontal: Frequency : 0.40 MHz/div
 Vertical from Top: Relative Magnitude : 10 dB/div
 Relative magnitude : 1 dB/div
 Group Delay Deviation : 200 ns/div



SPECIFICATION

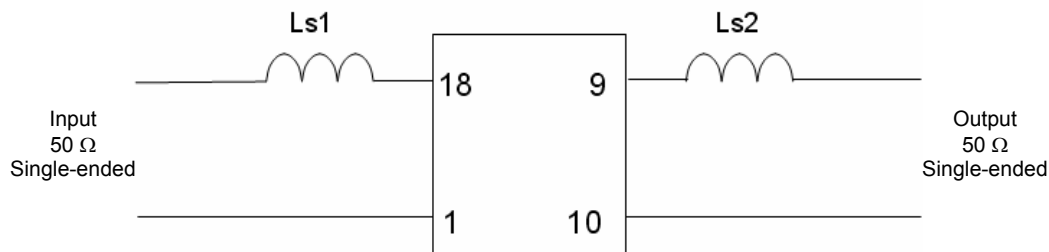
Parameter	Min	Typ	Max	Units
Center Frequency (Fc) ¹	69.93	70.0	70.07	MHz
Insertion Loss at 70.0 MHz	-	18.5	23	dB
1 dB Bandwidth ²	0.60	0.65	-	MHz
3 dB Bandwidth ²	0.75	0.87	-	MHz
40 dB Bandwidth ²	-	1.74	2.0	MHz
Passband Ripple ^{3,4}	-	0.16	0.4	dB
Phase Ripple ³	-	1.2	4.0	deg p-p
Group Delay Ripple ³	-	130	300	ns p-p
Absolute Delay	-	3.6	-	us
Ultimate Rejection	50	55	-	dB
Source and Load Impedance	-	50	-	Ω
Ambient Temperature	-	25	-	$^{\circ}$ C

- Notes:
1. Average of lower and upper 3 dB frequencies.
 2. Parameter is referenced to the insertion loss.
 3. Parameter is measured over 69.7 to 70.3 MHz.
 4. This parameter excludes the passband rolloff.

MAXIMUM RATINGS

Parameter	Min	Max	Units
Storage Temperature Range	-40	85	$^{\circ}$ C
Input Power Level	-	10	dBm

MATCHING CIRCUIT



Typical component values:
(Minimum inductor Q = 45)

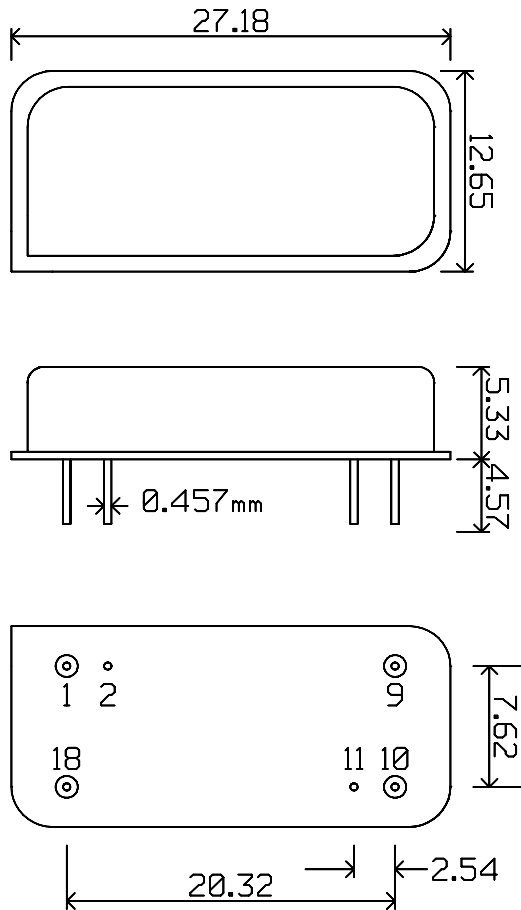
$$L1 = 270 \text{ nH}$$

$$L2 = 180 \text{ nH}$$

Notes:

1. Recommend use of 5% tolerance matching components.
2. Component values shown are for guidance only and may change depending on board layout.

PACKAGE OUTLINE



Units: mm

Tolerances are ± 0.15 mm except for the overall length and width, which are nominal values.

Pin Configuration:

Input:	18
Input return:	1
Output:	9
Output return:	10
Ground:	2, 11

ISO 9001
Registered

All specifications are believed to be accurate and reliable. However, Spectrum Microwave reserves the right to make changes without notice.
© 2010 All rights reserved.

Spectrum Microwave
400 Nickerson Road, Marlborough, MA 01752, USA • Phone 1-508-251-6400 • Fax 1-508-251-6401
www.SpectrumMicrowave.com