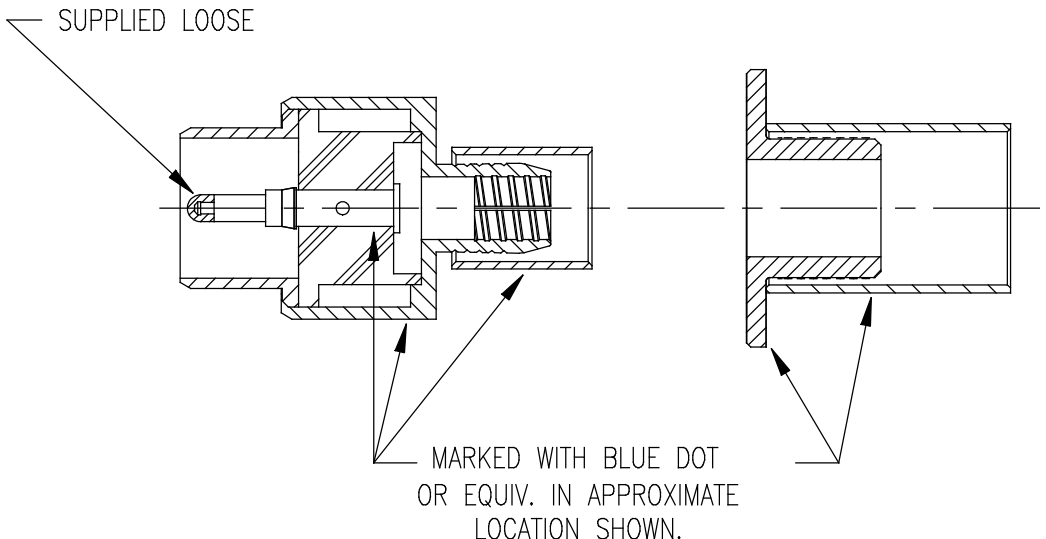


DASH NO.	M CODE	MADE FROM
----------	--------	-----------

GSD

785876	
REVISIONS	
ISSUE	CHANGES
0	ER 39828 DRK 03/08/07



- NOTES:
- FOR USE WITH 760 CABLE GROUP (BELDEN 8232).
 - FOR CABLING INSTRUCTIONS SEE 3-651 (CONVENTIONAL METHOD) OR 3-711 (PRE-PREPARED DIMENSIONS).
 - USE CRIMPING TOOL KTH-8000 AND DIE KTH-8001.
 - MATERIALS:
INSULATOR: TEFLON, ASTM-D4894
CENTER CONTACT TIP: DELRIN
K-GRIP SLEEVES: COM BRONZE, ASTM-B140
ALL OTHER METAL PARTS: BRASS, ASTM-B16
 - FINISHES:
CENTER CONTACT: GOLD, ASTM-B488
ALL OTHER METAL PARTS: KINGS TARNISH RESISTANT NICKEL FINISH (TR-5)
 - ELECTRICAL CHARACTERISTICS:
NOMINAL IMPEDANCE: 75 OHMS
FREQUENCY RANGE: DC-3.0 GHz

SCALE	2:1	
APPROX SURFACE AREA		
USED ON		
REF:	RETRO-FIT ASSY	
DRAWN	DRK	DATE 03/13/07
DESIGN	DRK	DATE 09/20/06
APPR.		DATE

GSD


 ROCK HILL, SOUTH CAROLINA 29730
 785876