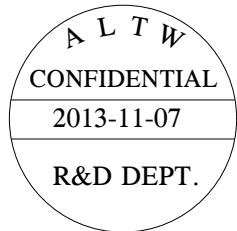
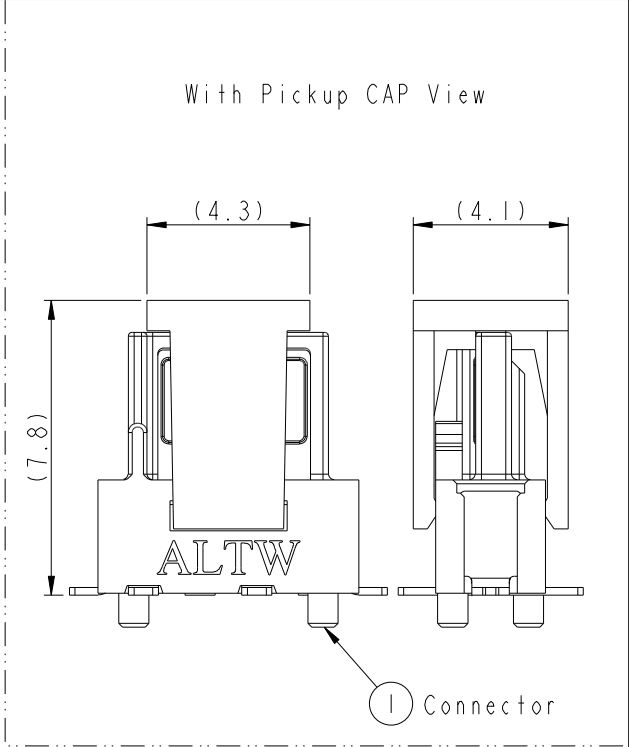
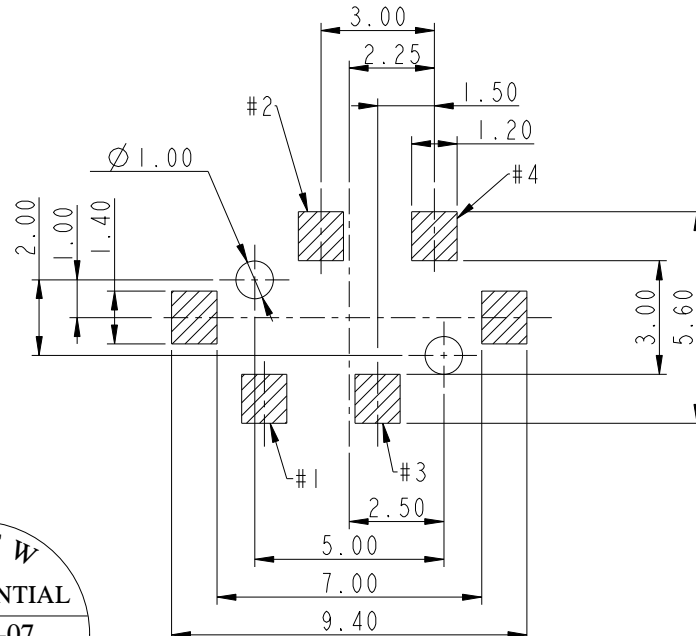
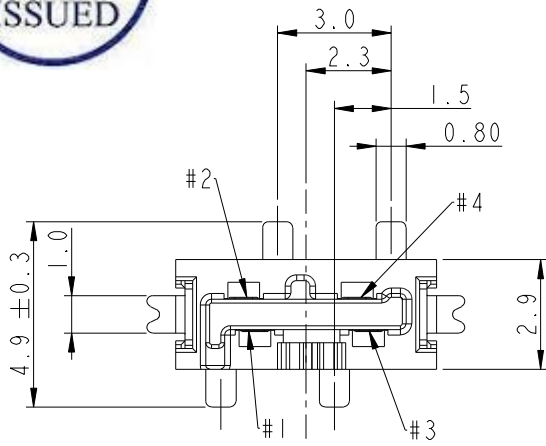
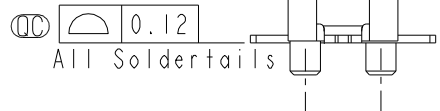
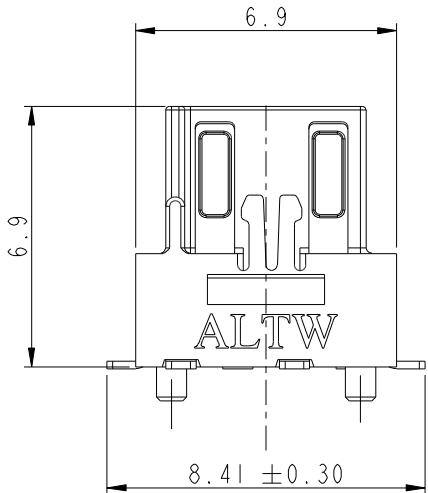




REV.	ECN NO.	DATE	SIGN	DESCRIPTION
A	Initial Release	2013-11-07	Fisher	Initial Release



RECOMMENDED P.C.B. LAYOUT
GENERAL TOLERANCE IS ±0.05

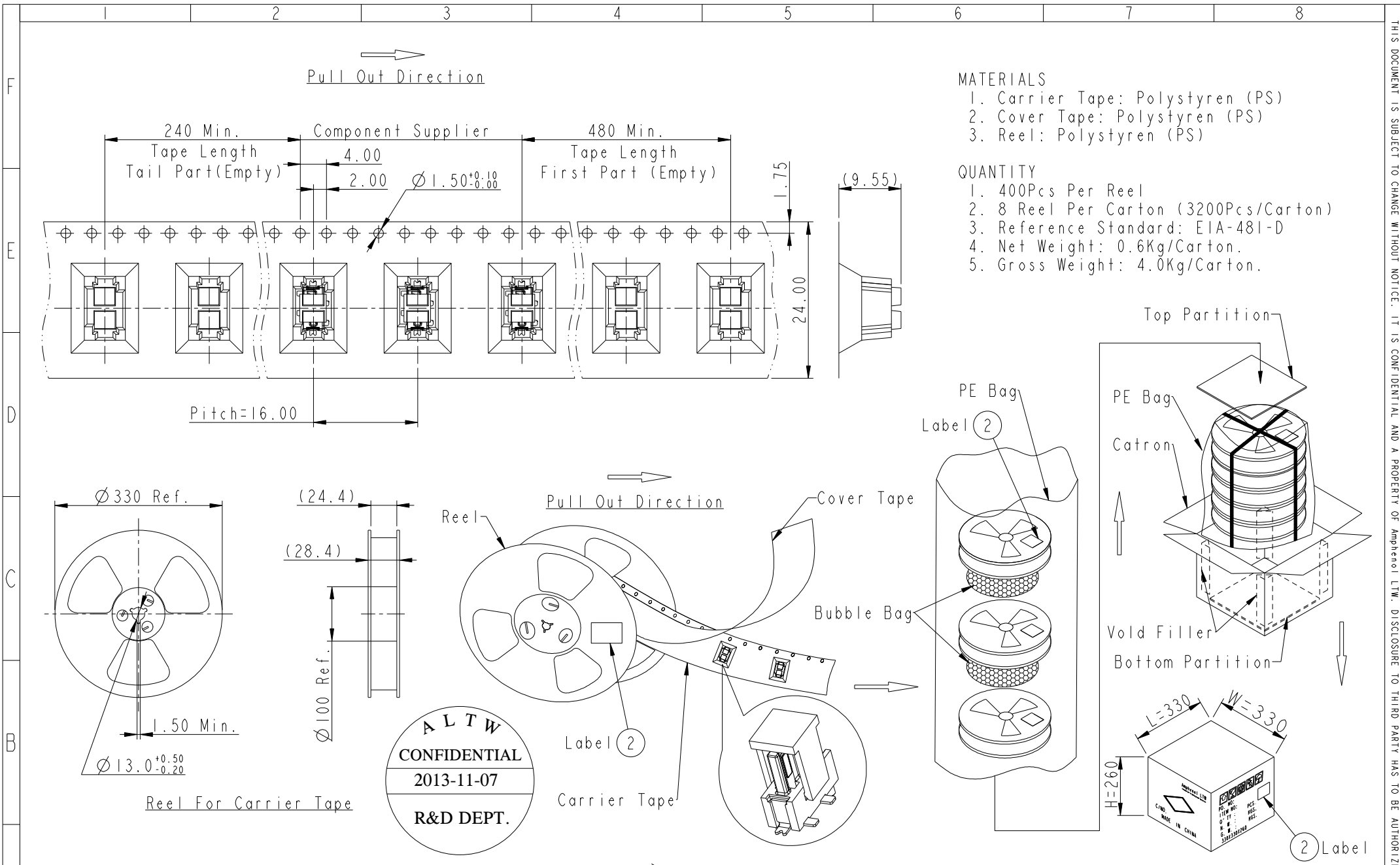


- Notes:
- * (CC) Important Dimension To Check.
 - * Housing: High temperature thermoplastic. UL94V-0, color is Natural white.
 - * Pickup Cap: High temperature thermoplastic. UL94V-0, color is Black.
 - * Terminal: Copper Alloy, Gold Plated on contact area. Tin plated on solder tails.
 - * Solder Peg: Copper Alloy, Tin plated over Nickel.


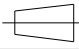
UNIT:mm		TITLE SSL-1.1 DC 4P PLUG CONN, WITH POST,S/T,SMT TYPE			Amphenol LTW		ITEM NO SSL11-P4A00-000001	DRAWN BY Fisher_Wang	DATE 2013-11-07
		TOLERANCE .X ±0.25 .XX ±0.1 .XXX ±0.05 ANGLES ±1°	SCALE 5:1	SIZE A4	SHEET 1 OF 2	安費諾亮泰企業股份有限公司		DWG NO SSL11-P4A00-000001	CHECKED BY Ivan_Lin
		REV. A	WC-REV. A.1	(CC): Inspection item		CUSTOMER ALTW	APPROVED BY Kevin_Hu	DATE 2013-11-07	

THIS DOCUMENT IS SUBJECT TO CHANGE WITHOUT NOTICE. IT IS CONFIDENTIAL AND A PROPERTY OF Amphenol LTW. DISCLOSURE TO THIRD PARTY HAS TO BE AUTHORIZED BY Amphenol LTW.

THIS DOCUMENT IS SUBJECT TO CHANGE WITHOUT NOTICE. IT IS CONFIDENTIAL AND A PROPERTY OF Amphenol LTW. DISCLOSURE TO THIRD PARTY HAS TO BE AUTHORIZED BY Amphenol LTW.



- MATERIALS**
1. Carrier Tape: Polystyren (PS)
 2. Cover Tape: Polystyren (PS)
 3. Reel: Polystyren (PS)
- QUANTITY**
1. 400Pcs Per Reel
 2. 8 Reel Per Carton (3200Pcs/Carton)
 3. Reference Standard: EIA-481-D
 4. Net Weight: 0.6Kg/Carton.
 5. Gross Weight: 4.0Kg/Carton.

UNIT: mm	 	TITLE SSL-1.1 DC 4P PLUG CONN, WITH POST,S/T,SMT TYPE		<h1>Amphenol LTW</h1> <h2>安費諾亮泰企業股份有限公司</h2>		ITEM NO SSL11-P4A00-000001	DRAWN BY Fisher_Wang	DATE 2013-11-07
		TOLERANCE .X ±0.25 .XX ±0.1 .XXX ±0.05 ANGLES ±1°	SCALE 5:1			SIZE A4	SHEET 2 OF 2	DWG NO SSL11-P4A00-000001
		REV. A	WC-REV. A.2	QC: Inspection item		CUSTOMER ALTW	APPROVED BY Kevin_Hu	DATE 2013-11-07