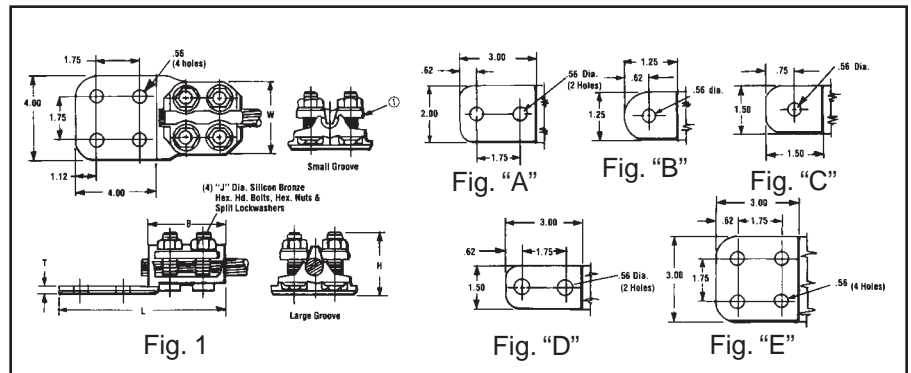


## TYPE NAS/NAH

### TERMINAL

### FOR COPPER CABLE

High copper alloy reversible cap terminal for joining a wide range of cable to equipment pads. Tongue is side formed to provide adequate clearance and terminal is designed for one-wrench installation.



| CATALOG NUMBER | FIG. NO. | COPPER CABLE RANGE                                 |  |  | B    | H    | J DIA.  | L    | T    | W    |
|----------------|----------|--|--|--|------|------|---------|------|------|------|
|                |          | COMPLETE CABLE RANGE                               | SMALL GROOVE                                     | LARGE GROOVE                                       |      |      |         |      |      |      |
| NAS29-N        | 1B       |  |  |  | 2.38 | 1.80 | 3/8"-16 | 3.58 | .25  | 2.00 |
| NAS29-2N       | 1D       | 6 Sol. (.162 Dia.) to 250 kcmil (.575 Dia.)        | 6 Sol. (.162 Dia.) to 1/0 Str. (.373 Dia.)       | 2/0 Str. (.419 Dia.) to 250 kcmil (.575 Dia.)      | 2.62 | 2.12 | 1/2"-13 | 5.62 |      | 2.44 |
| NAH29-2N       | 1D       |  |  |  |      | 1.80 |         | 5.62 | .25  | 2.00 |
| NAS29-34N      | 1E       |  |  |  |      | 2.05 | 3/8"-16 | 4.12 |      | 2.20 |
| NAS34-N        | 1C       |  |  |  | 2.38 | 2.05 | 3/8"-16 | 5.62 | .31  | 2.56 |
| NAS34-2N       | 1A       | 1/0 Sol. (.325 Dia.) to 500 kcmil (.813 Dia.)      | 1/0 Sol. (.325 Dia.) to 4/0 Str. (.529 Dia.)     | 250 kcmil (.575 Dia.) to 500 kcmil (.813 Dia.)     | 2.62 | 2.38 | 1/2"-13 | 5.88 |      |      |
| NAH34-2N       | 1A       |  |  |  | 2.38 | 2.05 | 3/8"-16 | 5.62 | .25  | 2.20 |
| NAS34-34N      | 1E       |  |  |  |      | 2.30 | 1/2"-13 | 5.88 |      | .38  |
| NAH34-34N      | 1E       |  |  |  |      | 2.30 | 3/8"-16 |      | 6.88 |      |
| NAS40-2N       | 1A       |  |  |  |      | 2.62 | 1/2"-13 | 5.88 | .31  | 2.44 |
| NAH40-2N       | 1A       |  |  |  |      | 2.30 | 3/8"-16 |      |      | 2.81 |
| NAS40-34N      | 1E       | 2/0 Sol. (.365 Dia.) to 800 kcmil (1.031 Dia.)     | 2/0 Sol. (.365 Dia.) to 500 kcmil (.813 Dia.)    | 500 kcmil (.813 Dia.) to 800 kcmil (1.031 Dia.)    | 2.62 | 2.30 | 3/8"-16 | 6.88 | .31  | 2.44 |
| NAH40-34N      | 1E       |  |  |  |      | 2.62 | 1/2"-13 |      |      | 2.81 |
| NAS40-44N      | 1        |  |  |  |      | 2.30 | 3/8"-16 | 6.88 | .31  | 2.44 |
| NAH40-44N      | 1        |  |  |  |      | 2.62 | 1/2"-13 |      |      | 2.81 |
| NAH44-2N       | 1A       |  |  |  | 2.88 | 2.62 | 1/2"-13 | 6.12 | .44  | 2.88 |
| NAH44-34N      | 1E       | 4/0 Str. (.528 Dia.) to 1000 kcmil (1.152 Dia.)    | 4/0 Str. (.528 Dia.) to 750 kcmil (.998 Dia.)    | 750 kcmil (.998 Dia.) to 1000 kcmil (1.152 Dia.)   |      |      |         |      |      |      |
| NAH44-44N      | 1        |  |  |  |      |      | 6.31    | .50  | .41  | 3.19 |
| NAH46-2N       | 1A       | 1000 kcmil (1.152 Dia.) to 1500 kcmil (1.412 Dia.) | —  | 1000 kcmil (1.152 Dia.) to 1500 kcmil (1.412 Dia.) | 3.06 | 2.88 | 7.31    | .38  |      |      |
| NAH46-34N      | 1E       |  |  |  |      |      | 6.50    | .69  | .50  | 3.38 |
| NAH46-44N      | 1        |  |  |  |      |      | 7.50    | .44  |      |      |
| NAH48-2N       | 1A       |  |  |  |      |      |         |      |      |      |
| NAH48-34N      | 1E       | 500 kcmil (.813 Dia.) to 2000 kcmil (1.632 Dia.)   | 500 kcmil (.813 Dia.) to 1500 kcmil (1.412 Dia.) | 1500 kcmil (1.412 Dia.) to 2000 kcmil (1.632 Dia.) | 3.25 | 3.12 |         |      |      |      |
| NAH48-44N      | 1        |  |  |  |      |      |         |      |      |      |