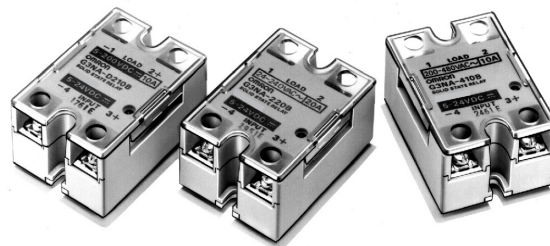


Solid State Relay G3NA

New Models with 75-A and 90-A Output Currents Join the Previous Models with 5- to 50-A Output Currents.

- AC Output Relays with 75-A and 90-A output currents have been added to the G3NA Series.
- All models feature a uniform mounting pitch.
- Built-in varistor effectively absorbs external surges.
- Operation indicator enables monitoring operation.
- Protective cover for greater safety.
- Standard models certified by UL and CSA and -UTU models by VDE (TÜV).



Ordering Information

To Order: Select the part number and add the desired rated input voltage, (e.g., G3NA-240B-100 to 120 VAC)

| Isolation | Zero cross function | Indicator | Rated output load (applicable output load) | Rated input voltage | Model |
|--------------|---|---|---|---------------------|-----------|
| Phototriac | Yes | Yes | 5 A at 24 to 240 VAC* (19 to 264 VAC) | 5 to 24 VDC | G3NA-205B |
| Photocoupler | | | | 100 to 120 VAC | |
| | | | | 200 to 240 VAC | |
| Phototriac | | | 10 A at 24 to 240 VAC* (19 to 264 VAC) | 5 to 24 VDC | G3NA-210B |
| Photocoupler | | | | 100 to 120 VAC | |
| | | | | 200 to 240 VAC | |
| Phototriac | 20 A at 24 to 240 VAC* (19 to 264 VAC) | 20 A at 24 to 240 VAC* (19 to 264 VAC) | 5 to 24 VDC | G3NA-220B | |
| Photocoupler | | | 100 to 120 VAC | | |
| | | | 200 to 240 VAC | | |
| | | | 25 A at 24 to 240 VAC* (19 to 264 VAC) | 5 to 24 VDC | G3NA-225B |
| | | | | 100 to 120 VAC | |
| | | | | 200 to 240 VAC | |
| | | | 25 A at 200 to 480 VAC* (180 to 528 VAC) | 5 to 24 VDC | G3NA-425B |
| | | | | 100 to 240 VAC | |

(Table continued on next page.)

| Isolation | Zero cross function | Indicator | Rated output load (applicable output load) | Rated input voltage | Model |
|--------------|--|----------------|---|---------------------|---------------|
| Phototriac | Yes | Yes | 40 A at 24 to 240 VAC* (19 to 264 VAC) | 5 to 24 VDC | G3NA-240B |
| Photocoupler | | | | 100 to 120 VAC | |
| | | | | 200 to 240 VAC | |
| Phototriac | — | — | 75 A at 24 to 240 VAC* (19 to 264 VAC) | 5 to 24 VDC | G3NA-275B-UTU |
| Photocoupler | | | | 100 to 240 VAC | |
| | | | | | |
| Phototriac | — | — | 90 A at 24 to 240 VAC* (19 to 264 VAC) | 5 to 24 VDC | G3NA-290B-UTU |
| Photocoupler | | | | 100 to 240 VAC | |
| | | | | | |
| | — | — | 10 A at 5 to 200 VDC* (4 to 220 VDC) | 5 to 24 VDC | G3NA-D210B |
| | | | | 100 to 240 VAC | |
| | Yes | — | 10 A at 200 to 480 VAC* (180 to 528 VAC) | 5 to 24 VDC | G3NA-410B |
| | | | | 100 to 240 VAC | |
| | | | 20 A at 200 to 480 VAC* (180 to 528 VAC) | 5 to 24 VDC | G3NA-420B |
| | | | | 100 to 240 VAC | |
| | | | 40 A at 200 to 480 VAC* (180 to 528 VAC) | 5 to 24 VDC | G3NA-440B |
| | | | | 100 to 240 VAC | |
| | | | 50 A at 200 to 480 VAC (180 to 528 VAC) | 5 to 24 VDC | G3NA-450B |
| | 75 A at 200 to 480 VAC (180 to 528 VAC) | 5 to 24 VDC | G3NA-475B-UTU | | |
| | | 100 to 240 VAC | | | |
| | 90 A at 200 to 480 VAC (180 to 528 VAC) | 5 to 24 VDC | G3NA-490B-UTU | | |
| | | 100 to 240 VAC | | | |

*Loss time increases under 75 VAC.

Note: 1. When ordering a TÜV-approved model, add "-UTU" to the model number as shown below:

Example: G3NA-210B-UTU.

2. G3NA-4 are not CE marked.
3. G3NA-2 with "-UTU" are CE marked.

■ Accessories

Heat Sinks

| Types | Applicable solid-state relays | Model |
|----------------|---|-------------|
| Standard mount | G3NA-205B, G3NA-210B, G3NA-D210B, G3NA-220B, G3NA-410B, G3NA-420B | Y92B-A100 |
| | G3NA-225B, G3NA-240B, G3NA-425B, G3NA-440B | Y92B-A150N |
| | G3NA-440B | Y92B-A250 |
| Track mount | G3NA-205B, G3NA-210B, G3NA-D210B, G3NA-410B | Y92B-N50 |
| | G3NA-220B, G3NA-420B | Y92B-N100 |
| | G3NA-225B, G3NA-240B, G3NA-425B, G3NA-440B | Y92B-N150 |
| | G3NA-450B | Y92B-P250 |
| | G3NA-275B-UTU, G3NA-290B-UTU, G3NA-475B-UTU, G3NA-490B-UTU | Y92B-P250NF |
| | | |

Mounting Track and Accessories

| Description | Model |
|--|-----------------|
| Mounting bracket for G3NA-240B. Changes pitch to 56 mm (2.21 in.) from 47.5 mm (1.73 in.), the same pitch as G3N-240B. | R99-11 |
| DIN Rail Track, 50 cm (1.64 feet) length; use with Y92B-N□□□ heat sinks | PFP-50N |
| DIN Rail Track, 1 m (3.28 feet) length; use with Y92B-N□□□ heat sinks | PFP-100N |
| Spacer | PFP-S |
| End cap | PFP-M |
| One-touch mounting plate | R99-12 FOR G3NA |

Specifications

Input Ratings

(Ambient temperature: 25°C [77°F])

| Type | Rated voltage | Operating voltage range | Impedance (See note 1) | Voltage level | |
|---------------|----------------|-------------------------|-------------------------|---------------------------|--------------------------|
| | | | | Must operate voltage | Must release voltage |
| G3NA-2□□B | 5 to 24 VDC | 4 to 32 VDC | 7 mA max. (see note 2) | 4 VDC max. | 1 VDC min. |
| | 100 to 120 VAC | 75 to 132 VAC | 36 kΩ ±20% | 75 VAC max. (see note 3) | 20 VAC min. (see note 3) |
| | 200 to 240 VAC | 150 to 264 VAC | 72 kΩ ±20% | 150 VAC max. (see note 3) | 40 VAC min. (see note 3) |
| G3NA-4□□B | 5 to 24 VDC | 4 to 32 VDC | 5 mA max. (see note 2) | 4 VDC max. | 1 VDC min. |
| G3NA-D210B | 100 to 240 VAC | 75 to 264 VAC | 72 kΩ ±20% | 75 VAC max. | 20 VAC min. |
| G3NA-275B-UTU | 5 to 24 VDC | 4 to 32 VDC | 15 mA max. (see note 2) | 4 VDC max. | 1 VDC min. |
| G3NA-290B-UTU | 100 to 240 VAC | 75 to 264 VAC | 72 kΩ ±20% | 75 VAC max. | 20 VAC min. |
| G3NA-475B-UTU | | | | | |
| G3NA-490B-UTU | | | | | |

Note: 1. The input impedance is measured at the maximum value of the rated supply voltage (for example, with the model rated at 100 to 120 VAC, the input impedance is measured at 120 VAC).

2. With constant current input circuit system, the impedance for the G3NA-2□□B-UTU is 15mA max.

3. Refer to the "Characteristic Data" for further details.

Output Ratings

| Type | Applicable load | | | | |
|---------------|--------------------|--------------------|-----------------------|----------------------|--------------------------|
| | Rated load voltage | Load voltage range | Load current | | Surge current |
| | | | With heat sink* | Without heat sink | |
| G3NA-205B | 24 to 240 VAC | 19 to 264 VAC | 0.1 to 5 A (at 40°C) | 0.1 to 3 A (at 40°C) | 60 A (60 Hz, 1 cycle) |
| G3NA-210B | 24 to 240 VAC | 19 to 264 VAC | 0.1 to 10 A (at 40°C) | 0.1 to 4 A (at 40°C) | 150 A (60 Hz, 1 cycle) |
| G3NA-410B | 200 to 480 VAC | 180 to 528 VAC | 0.2 to 10 A (at 40°C) | 0.2 to 4 A (at 40°C) | |
| G3NA-220B | 24 to 240 VAC | 19 to 264 VAC | 0.1 to 20 A (at 40°C) | 0.1 to 4 A (at 40°C) | 220 A (60 Hz, 1 cycle) |
| G3NA-420B | 200 to 480 VAC | 180 to 528 VAC | 0.2 to 20 A (at 40°C) | 0.2 to 4 A (at 40°C) | |
| G3NA-240B | 24 to 240 VAC | 19 to 264 VAC | 0.1 to 40 A (at 40°C) | 0.1 to 6 A (at 40°C) | 440 A (60 Hz, 1 cycle) |
| G3NA-440B | 200 to 480 VAC | 180 to 528 VAC | 0.2 to 40 A (at 40°C) | 0.2 to 6 A (at 40°C) | |
| G3NA-450B | 200 to 480 VAC | 180 to 528 VAC | 0.2 to 50 A (at 40°C) | 0.2 to 6 A (at 40°C) | |
| G3NA-D210B | 5 to 200 VDC | 4 to 220 VDC | 0.1 to 10 A (at 40°C) | 0.1 to 4 A (at 40°C) | 20 A (10 ms) |
| G3NA-275B-UTU | 24 to 240 VAC | 19 to 264 VAC | 1 to 75 A (at 40°C) | 1 to 7 A (at 40°C) | 800 A (60 Hz, 1 cycle) |
| G3NA-475B-UTU | 200 to 480 VAC | 180 to 528 VAC | 1 to 75 A (at 40°C) | 1 to 7 A (at 40°C) | 800 A (60 Hz, 1 cycle) |
| G3NA-290B-UTU | 24 to 240 VAC | 19 to 264 VAC | 1 to 90 A (at 40°C) | 1 to 7 A (at 40°C) | 1,000 A (60 Hz, 1 cycle) |
| G3NA-490B-UTU | 200 to 480 VAC | 180 to 528 VAC | 1 to 90 A (at 40°C) | 1 to 7 A (at 40°C) | 1,000 A (60 Hz, 1 cycle) |

*When the appropriate size OMRON heat sink is used.

■ Characteristics

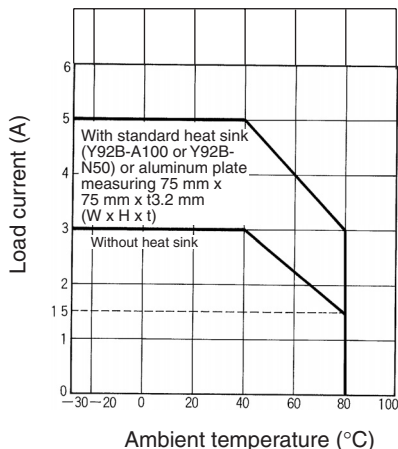
| Type | | G3NA-205B, -210B, -220B, -225B | G3NA-240B | G3NA-410B, -420B, -425B, -440B, -450B | G3NA- D210B | G3NA- 275B- UTU | G3NA- 290B- UTU | G3NA- 475B- UTU | G3NA- 490B- UTU |
|------------------------|-------------|--|---------------------------|---|---------------------------|--|-----------------------|--------------------------|-----------------------|
| Operate time | DC input | 1/2 of load power source cycle + 1 ms max. | | | 1 ms max. | 1/2 of load power source cycle + 1 ms max. | | | |
| | AC input | 1 1/2 of load power source cycle + 1 ms max. | | | 30 ms max. | 3/2 of load power source cycle + 1 ms max. | | | |
| Release time | DC input | 1/2 of load power source cycle + 1 ms max. | | | 5 ms max. | 1/2 of load power source cycle + 1 ms max. | | | |
| | AC input | 1 1/2 of load power source cycle + 1 ms max. | | | 30 ms max. | 3/2 of load power source cycle + 1 ms max. | | | |
| Output ON voltage drop | | 1.6 V (RMS) max. | 1.6 V (RMS) max. | 1.8 V (RMS max.) | 1.5 V max. | 1.6 V (RMS) max. | | 1.8 V (RMS) max. | |
| Leakage current | | 5 mA max. at 100 VAC | | 10 mA max. at 200 VAC | 5 mA max. at 200 VDC | 5 mA max. at 100 VAC | | 10 mA max. at 200 VDC | |
| | | 10 mA max. at 200 VAC | | 20 mA max. at 400 VAC | | 10 mA max. at 200 VAC | | 20 mA max. at 400 VAC | |
| Insulation resistance | | 100 MΩ min at 500 VDC | | | | | | | |
| Dielectric strength | | 2,500 VAC, 50/60 Hz for 1 minute | | | | 4,000 VAC, 50/60 Hz for 1 min. | | | |
| Vibration | Malfunction | 10 to 55 Hz, 1.5 mm double amplitude | | | | | | | |
| Shock | Malfunction | 1,000 m/s ² (approx. 100G) | | | | | | | |
| Ambient temperature | Operating | -30° to 80°C (-22° to 176°F) with no icing | | | | | | | |
| | Storage | -30° to 100°C (-22° to 212°F) with no icing | | | | | | | |
| Humidity | | 45% to 85% RH | | | | | | | |
| Weight | | Approx. 60 g (2.1 oz.) | Approx. 70 g (2.5 oz.) | Approx. 80 g (2.8 oz.) | Approx. 70 g (2.5 oz.) | Approx. 120 g (4.2 oz.) | | | |

Note: Data shown are of initial value.

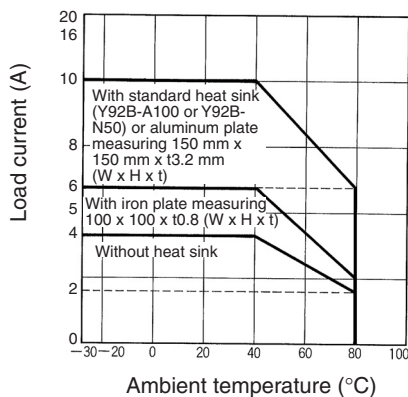
Engineering Data

Load Current vs. Ambient Temperature

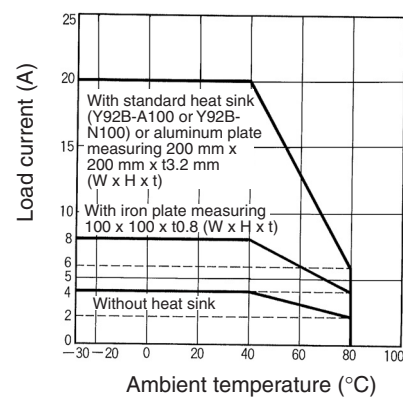
G3NA-205B



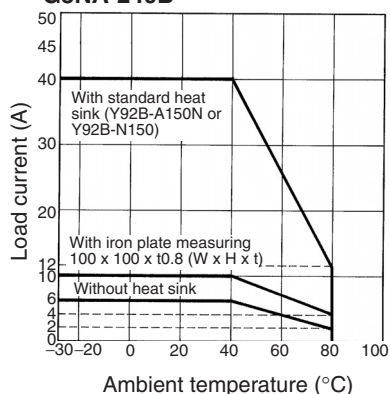
G3NA-210B/410B



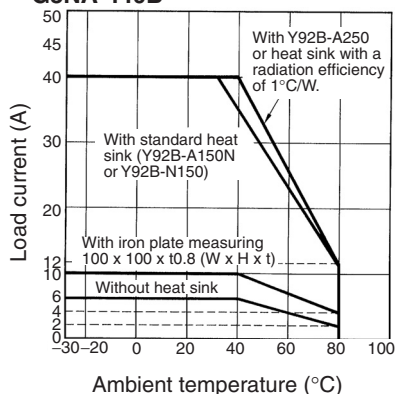
G3NA-220B/420B



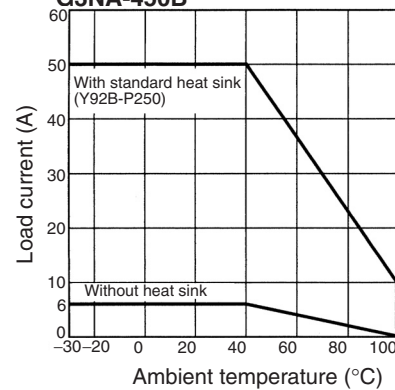
G3NA-240B



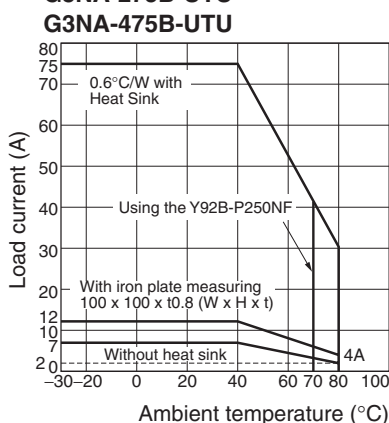
G3NA-440B



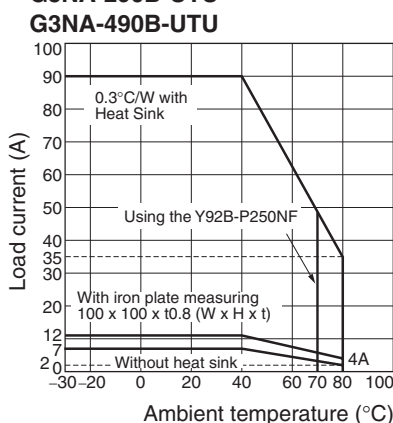
G3NA-450B



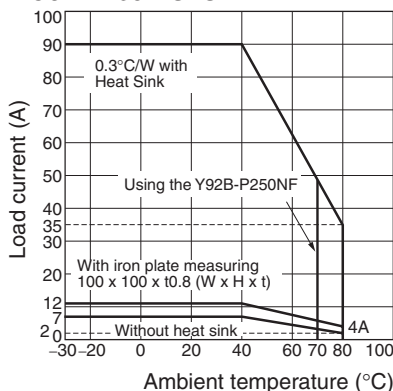
G3NA-275B-UTU



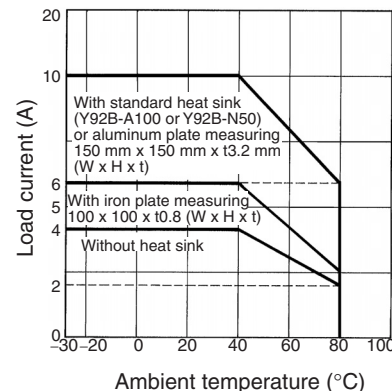
G3NA-290B-UTU



G3NA-490B-UTU



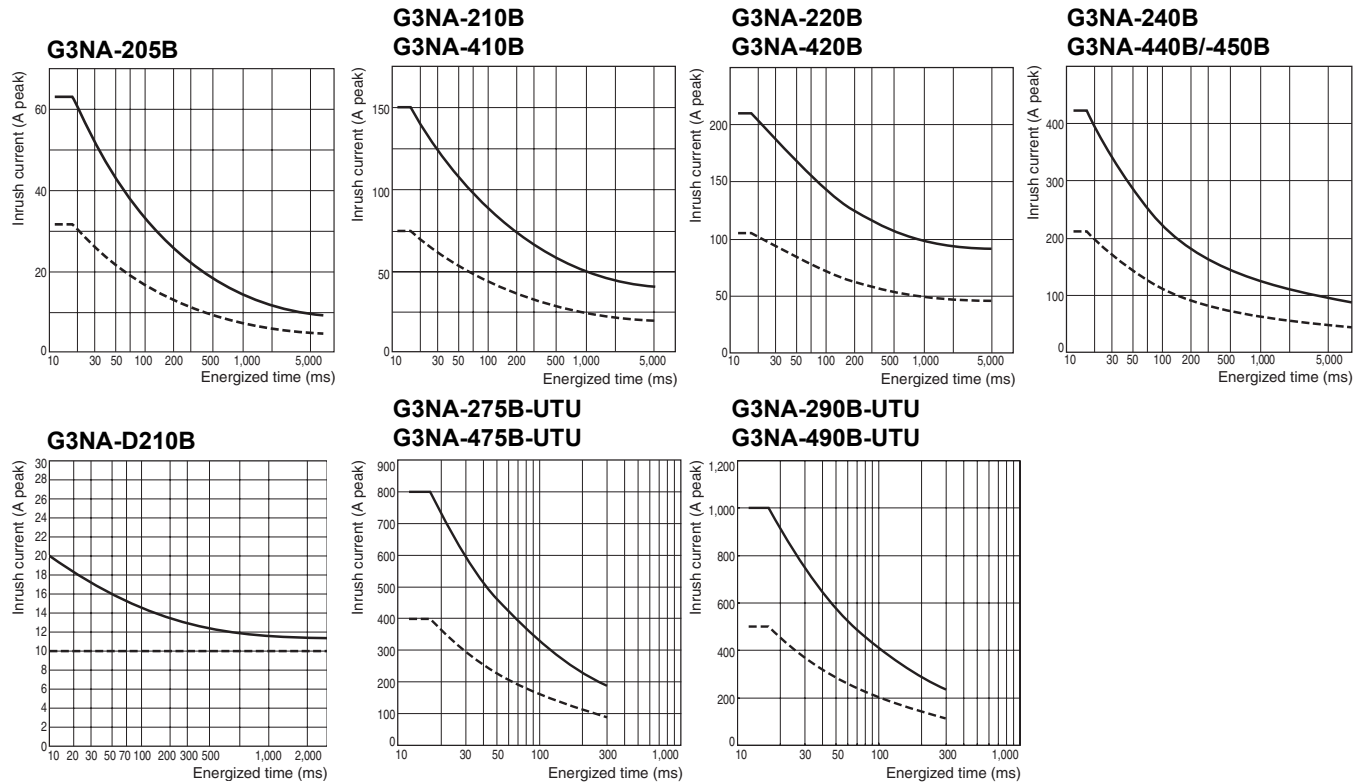
G3NA-D210B



Note: The ambient operating temperature of the Y92B-P250NF is – 30 to 70°C. Be sure the operating temperature is within this range.

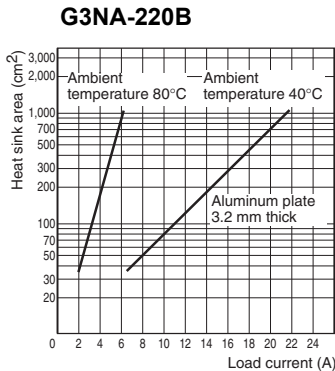
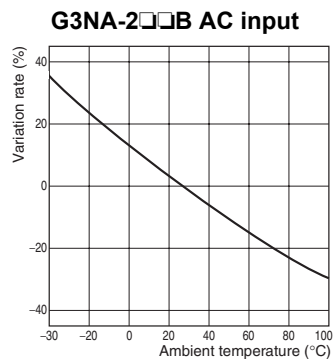
One Cycle Surge Current

The values shown by the solid line are for non-repetitive inrush currents. Keep the inrush current below the values shown by the dotted line if it occurs repetitively.



Temperature Characteristics (for Must Operate Voltage and Must Release Voltage)

Heat Sink Area vs. Load Current



Note: The heat sink area refers to the combined area of the sides of the heat sink that radiate heat. For example, when a current of 18 A is allowed to flow through the SSR at 40°C, the graph shows that the heat sink area is about 450 cm². Therefore, if the heat sink is square, one side of the heat sink must be 15 cm ($\sqrt{450 \text{ (cm}^2\text{)}/2}$) or longer.

Thermal Resistance Rth (Back of Junction SSR) (Examples)

| Model | Rth (°C/W) |
|--|------------|
| G3NA-205B | 3.22 |
| G3NA-210B | 2.62 |
| G3NA-220B | 1.99 |
| G3NA-240B | 0.45 |
| G3NA-275B-UTU G3NA-475B-UTU G3NA-290B-UTU G3NA-490B-UTU | 0.45 |
| G3NA-D210B | 2.62 |

Thermal Resistance Rth of Heat Sinks (Examples)

| Model | Rth (°C/W) |
|-------------|------------|
| Y92B-N50 | 2.8 |
| Y92B-N100 | 1.63 |
| Y92B-N150 | 1.38 |
| Y92B-A100 | 1.63 |
| Y92B-A150N | 1.37 |
| Y92B-A250 | 1.00 |
| Y92B-P250NF | 0.46 |

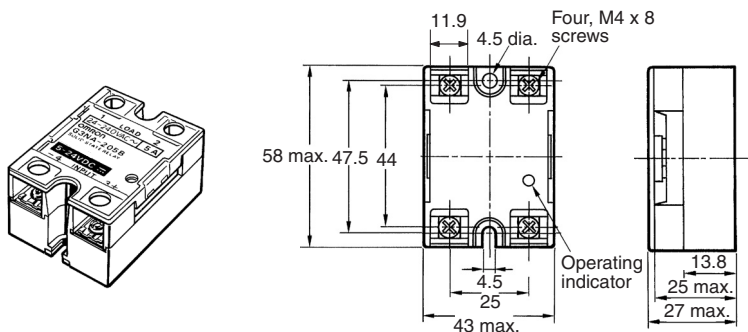
Note: When using a commercially available heat sink, use one with a thermal resistance equal to or less than the OMRON Heat Sink.

Dimensions

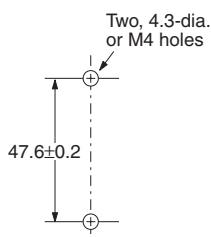
Relays

Note: All units are in millimeters unless otherwise indicated.

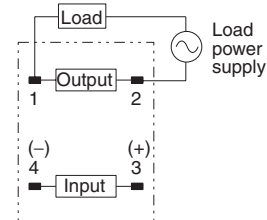
G3NA-205B, G3NA-210B, G3NA-220B, G3NA-410B, G3NA-420B



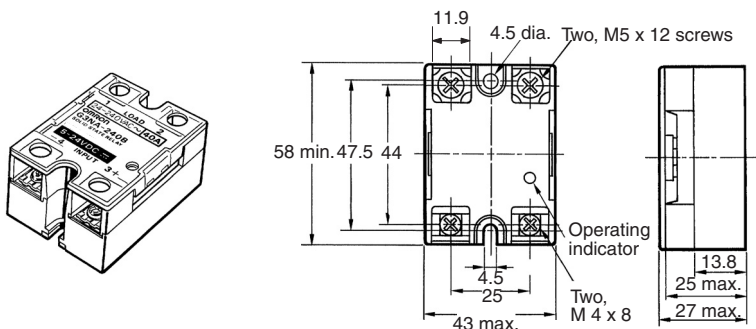
Mounting Holes



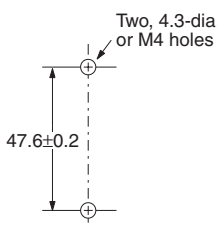
Terminal Arrangement/ Internal Connections (Top View)



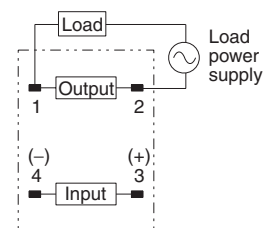
G3NA-240B, G3NA-440B



Mounting Holes

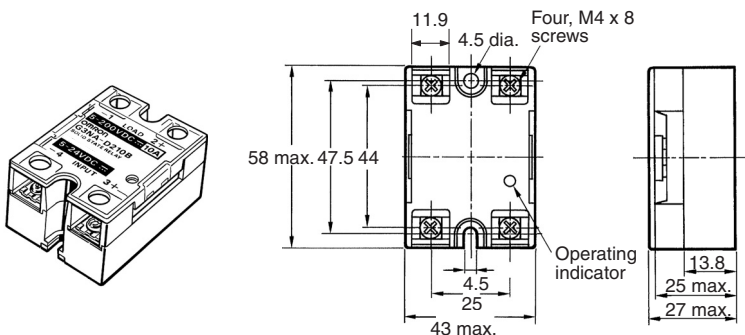


Terminal Arrangement/ Internal Connections (Top View)

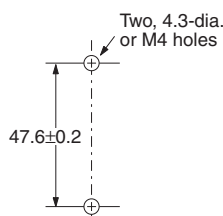


G3NA-D210B

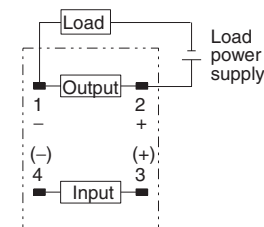
Note: The load can be connected to either the positive or negative side.



Mounting Holes

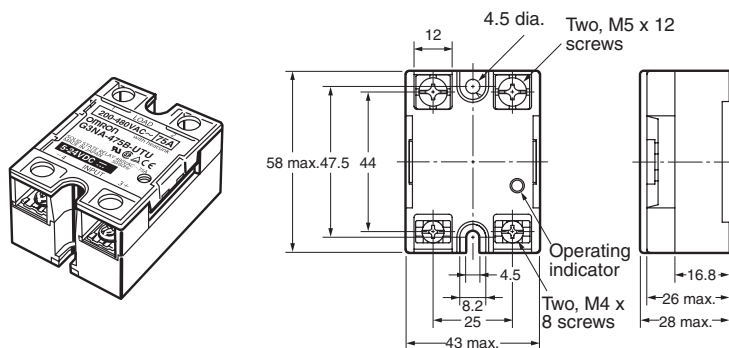


Terminal Arrangement/ Internal Connections (Top View)

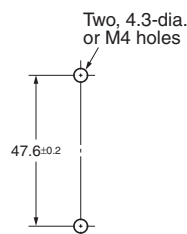


Note: When connecting the load, either the positive or negative side of the load terminals can be connected.

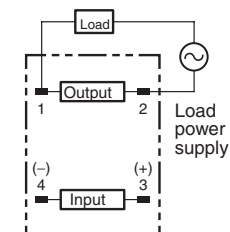
G3NA-275B-UTU, G3NA-475B-UTU, G3NA-290B-UTU, G3NA-490B-UTU



Mounting Holes



Terminal Arrangement/ Internal Connections (Top View)

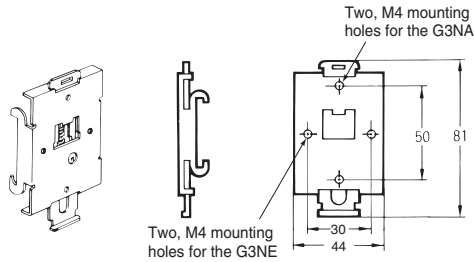


Options (Order Separately)

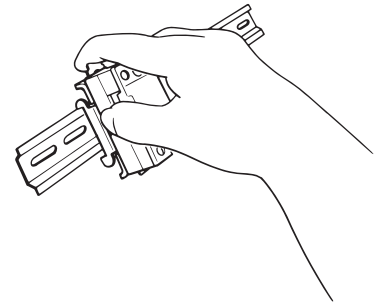
One-touch Mounting Plate

The One-touch Mounting Plate is used to mount the GN3A to a DIN Track.

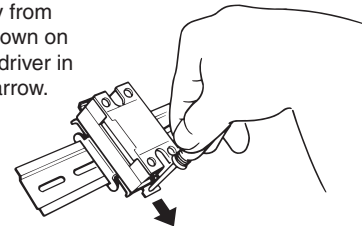
R99-12 FOR G3NA (for the G3NA and G3NE)



To mount the Relay to DIN Track, first mount it to the One-touch Mounting Plate and then attach it to the DIN Track as shown in the diagram.



To remove the Relay from the DIN Track, pull down on the tab with a screwdriver in the direction of the arrow.

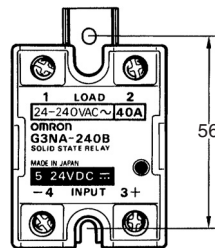
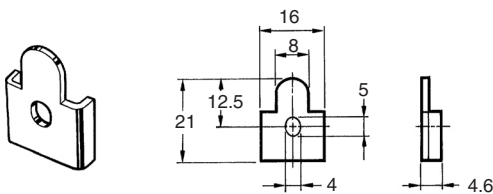


- When a Relay is mounted to DIN Track, use it within the rating for a Relay without a heat sink.
- Use the following DIN Tracks: PFP-100N or PFP-100N2.

Mounting Bracket

R99-11 (for the G3NA-240B, G3NA-440B)

Use Mounting Bracket R99-11 so that the G3NA-240B/440B can be mounted with the same pitch as that of the G3N-240B.

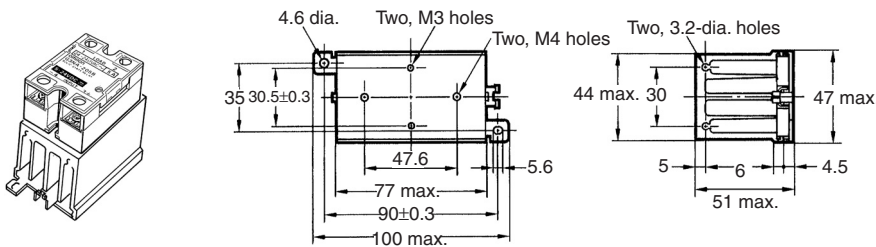


Heat Sinks

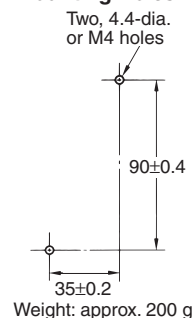
Y92B-N50 Heat Sink (for the G3NA-205B, G3NA-210B, G3NA-D210B, G3NA-410B, G3NE-210T(L))

For surface mounting, a 30% derating of the load current is required (from the *Load Current vs. Ambient Temperature* graphs).

The orientation indicated by the external dimensions is not the correct mounting orientation. When opening mounting holes, refer to the mounting hole dimensions.

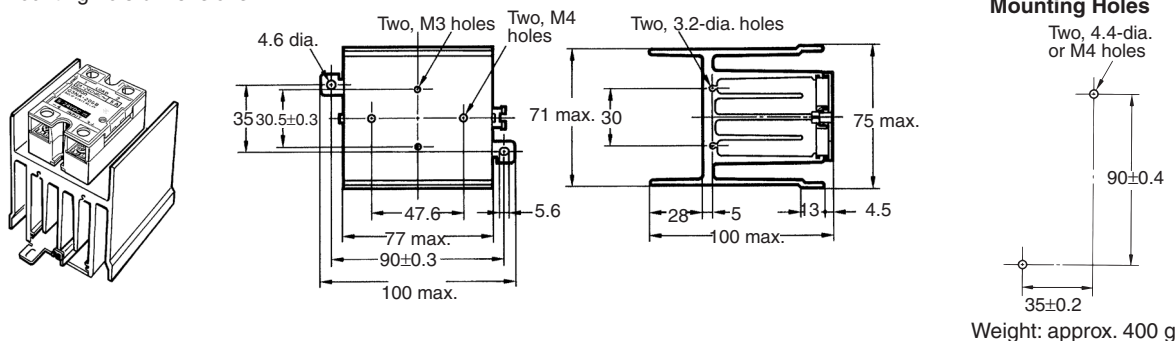


Mounting Holes



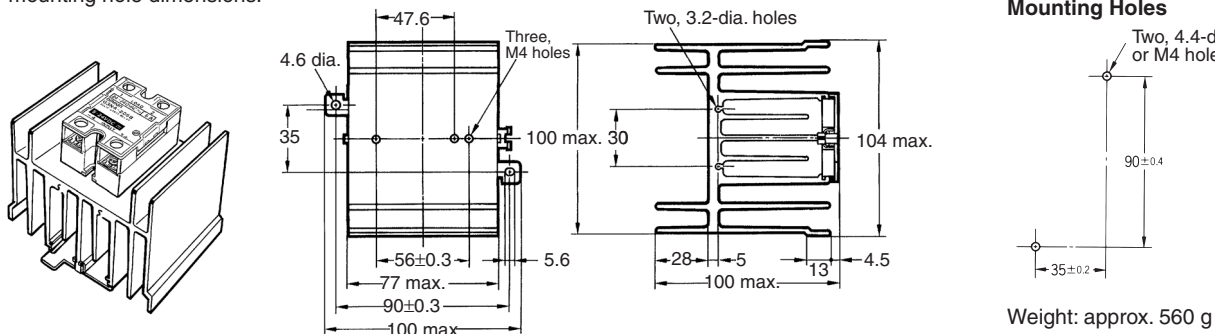
Y92B-N100 Heat Sink (for the G3NA-220B, G3NA-420B, G3NE-220T(L))

For surface mounting, a 30% derating of the load current is required (from the *Load Current vs. Ambient Temperature* graphs). The orientation indicated by the external dimensions is not the correct mounting orientation. When opening mounting holes, refer to the mounting hole dimensions.



Y92B-N150 Heat Sink (for the G3NA-240B, G3NA-440B)

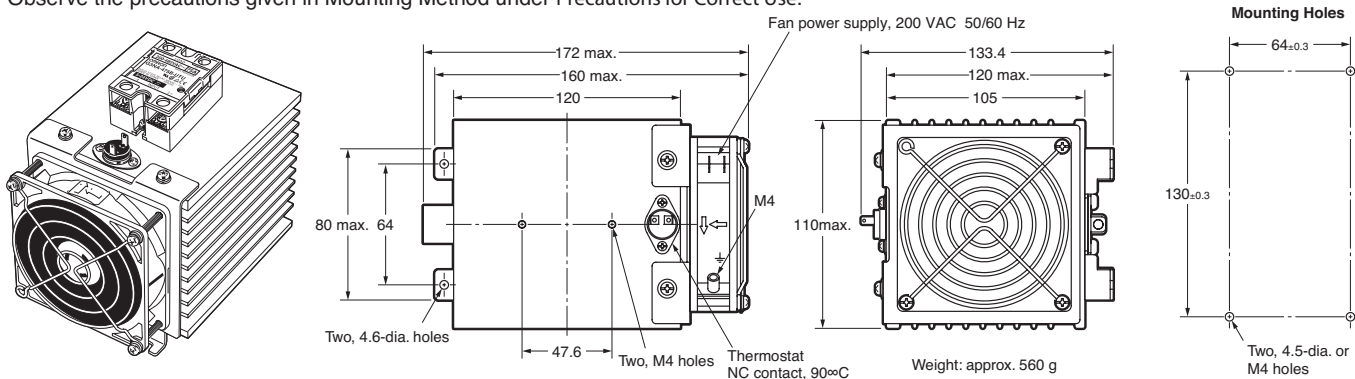
For surface mounting, a 30% derating of the load current is required (from the *Load Current vs. Ambient Temperature* graphs). The orientation indicated by the external dimensions is not the correct mounting orientation. When opening mounting holes, refer to the mounting hole dimensions.



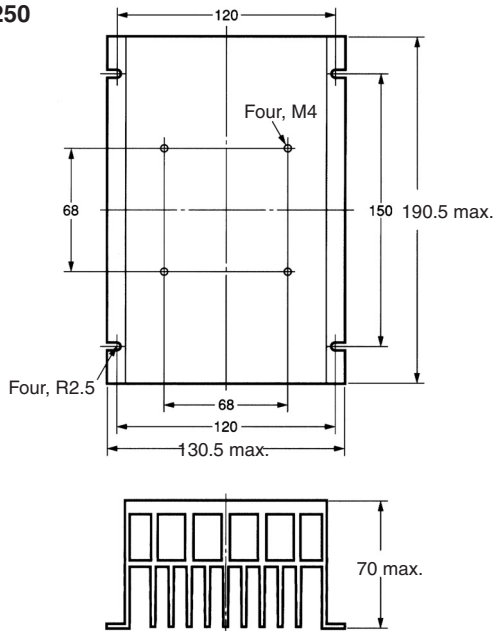
Y92B-P250NF Heat Sink (for the G3NA-275B-UTU, G3NA-475B-UTU, G3NA-290B-UTU, G3NA-490B-UTU)

The orientation indicated by the external dimensions is not the correct mounting orientation. When opening mounting holes, refer to the mounting hole dimensions.

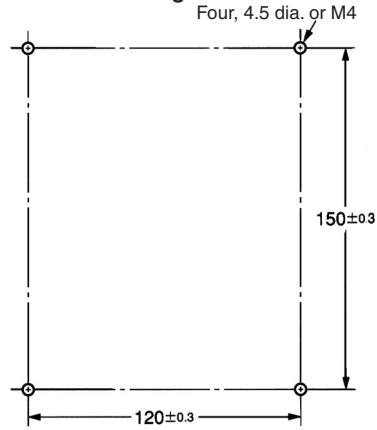
Observe the precautions given in Mounting Method under Precautions for Correct Use.



Y92B-P250



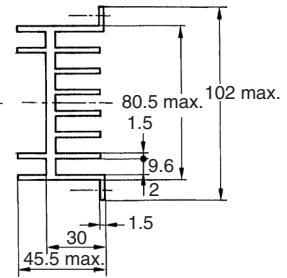
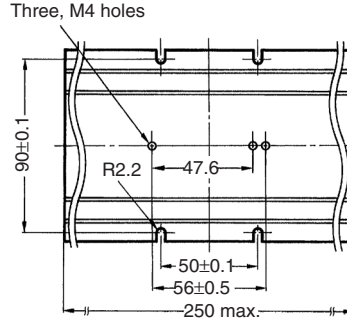
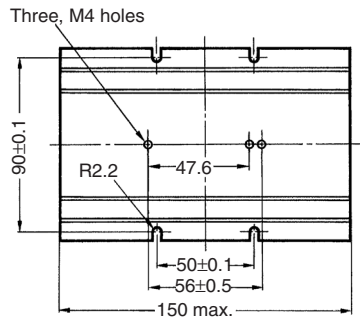
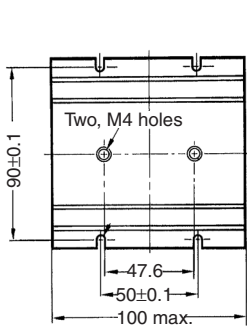
Mounting Holes



**Y92B-A100 Heat Sink
(for the G3NA-205B,
G3NA-210B, G3NA-
220B, G3NA-410B,
G3NA-420B, G3NA-
D210B)**

**Y92B-A150N Heat Sink
(for the G3NA-240B,
G3NA-440B)**

**Y92B-A250 Heat Sink
(for the G3NA-440B)**



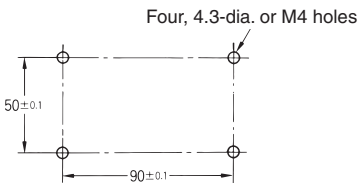
Weight: approx. 210 g

Weight: approx. 310 g

Weight: approx. 510 g

Mounting Holes

Y92B-A100
Y92B-A150
Y92B-A250



For surface mounting, a 30% derating of the load current is required (from the *Load Current vs. Ambient Temperature* graphs). The orientation indicated by the external dimensions is not the correct mounting orientation. When opening mounting holes, refer to the mounting hole dimensions.

■ Approvals

UL (File No. E64562)/CSA (File No. LR35535)

| SSR type | Input voltage | Load type | Contact ratings | |
|------------|---|----------------------|--------------------------|-----------------------------|
| | | | Without heat sink | With heat sink (see note 1) |
| G3NA-205B | 5 to 24 VDC 100 to 120 VAC 200 to 240 VAC | General use/Tungsten | 3 A, 240 VAC | 5 A, 240 VAC |
| | | Motor | 2.5 FLA, 15 LRA, 240 VAC | 2.5 FLA, 15 LRA, 240 VAC |
| G3NA-210B | | General use/Tungsten | 4 A, 240 VAC | 10 A, 240 VAC |
| | | Motor | 2.5 FLA, 15 LRA, 240 VAC | 5 FLA, 30 LRA, 240 VAC |
| G3NA-220B | | General use/Tungsten | 4 A, 240 VAC | 20 A, 240 VAC |
| | | Motor | 2.5 FLA, 15 LRA, 240 VAC | 10 FLA, 60 LRA, 240 VAC |
| G3NA-225B | | General use/Tungsten | 4 A, 240 VAC | 25 A, 240 VAC |
| | | Motor | 2.5 FLA, 15 LRA, 240 VAC | 12 FLA, 72 LRA, 240 VAC |
| G3NA-240B | | General use/Tungsten | 6 A, 240 VAC | 40 A, 240 VAC |
| | | Motor | 5 FLA, 30 LRA, 240 VAC | 20 FLA, 120 LRA, 240 VAC |
| G3NA-410B | 5 to 24 VDC 100 to 240 VAC | General use/Tungsten | 4 A, 480 VAC | 10 A, 480 VAC |
| | | Motor | 2.5 FLA, 15 LRA, 480 VAC | 5 FLA, 30 LRA, 480 VAC |
| G3NA-420B | | General use/Tungsten | 4 A, 480 VAC | 20 A, 480 VAC |
| | | Motor | 2.5 FLA, 15 LRA, 480 VAC | 10 FLA, 60 LRA, 480 VAC |
| G3NA-425B | | General use/Tungsten | 4 A, 480 VAC | 25 A, 480 VAC |
| | | Motor | 2.5 FLA, 15 LRA, 480 VAC | 12 FLA, 72 LRA, 480 VAC |
| G3NA-440B | | General use/Tungsten | 6 A, 480 VAC | 40 A, 480 VAC |
| | | Motor | 5 FLA, 30 LRA, 480 VAC | 20 FLA, 120 LRA, 480 VAC |
| G3NA-450B | | General use/Tungsten | 6 A, 480 VAC | 50 A, 480 VAC |
| | | Motor | 5 FLA, 30 LRA, 480 VAC | 24 FLA, 144 LRA, 480 VAC |
| G3NA-D210B | | General use | 4 A, 200 VDC | 10 A, 200 VDC |

- Note:**
1. When used with the proper OMRON heat sink part number or an appropriately dimensioned equivalent.
 2. The rated values approved by each of the safety standards (e.g., UL, CSA, and TUV) may be different from the performance characteristics individually defined in this catalog.
 3. In the interest of product improvement, specifications are subject to change.

Safety Precautions

! Caution

Touching the charged section may occasionally cause minor electric shock. Do not touch the G3NA terminal section (the charged section) when the power supply is ON. Be sure to attach the cover before use.



! Caution

The G3NA and heat sink will be hot and may occasionally cause minor burns. Do not touch the G3NA or the heat sink either while the power supply is ON, or immediately after the power is turned OFF.



! Caution

The internal snubber circuit is charged and may occasionally cause minor electric shock. Do not touch the G3NA's main circuit terminals immediately after the power is turned OFF.



! Caution

Be sure to conduct wiring with the power supply turned OFF, and always attach the terminal cover after completing wiring. Touching the terminals when they are charged may occasionally result in minor electric shock.



! Caution

Do not apply a short-circuit to the load side of the G3NA. The G3NA may rupture. To protect against short-circuit accidents, install a protective device, such as a quick-burning fuse, on the power supply line.



■ Precautions for Safe Use

Although OMRON continuously strives to improve the quality and reliability of our relays, the G3NA contains semiconductors, which are generally prone to occasional malfunction and failure.

Maintaining safety is particularly difficult if a relay is used outside of its ratings. Always use the G3NA within the rated values. When using the G3NA, always design the system to ensure safety and prevent human accidents, fires, and social damage even in the event of G3NA failure, including system redundancy, measures to prevent fires from spreading, and designs to prevent malfunction.

1. G3NA malfunction or fire damage may occasionally occur. Do not apply excessive voltage or current to the G3NA terminals.
2. Heat Dissipation
 - Do not obstruct the airflow to the G3NA or heat sink. Doing so may cause the output element to short, or cause fire damage.
 - Be sure to prevent the ambient temperature from rising due to the heat radiation of the G3NA. If the G3NA is mounted inside a panel, install a fan so that the interior of the panel is fully ventilated.
 - Mount the G3NA in the specified orientation. If the G3NA is mounted in any other orientation, abnormal heat generation may cause output elements to short or may cause burning.
 - Do not use the G3NA if the heat sink fins are bent, e.g., as the result of dropping the G3NA. Heat dissipation characteristics will be reduced, possibly causing G3NA failure.
 - Apply a thin layer of Toshiba Silicone's YG6260 or Sinetsu Silicone's G746, or a similar product to the heat sink before mounting.
 - If a material with high thermal resistance, such as wood, is used, heat generated by the G3NA may occasionally cause fire or burning. When installing the G3NA directly into a control panel so that the panel can be used as a heat sink, use a panel material with low thermal resistance, such as aluminum or steel.
 - Use the specified heat sink or one with equivalent or better characteristics.

3. Wire the G3NA and tighten screws correctly, observing the following precautions
 - Heat generated by a terminal error may occasionally result in fire damage. Do not operate if the screws on the output terminal are loose.
 - Abnormal heat generated by wires may occasionally result in fire damage. Use wires suitable for the load current.
 - Abnormal heat generated by terminals may occasionally result in fire damage. Do not operate if the screws on the output terminal are loose.

Tightening Torque

| Screw size | Tightening torque |
|------------|-------------------|
| M4 | 1.2 N•m |
| M5 | 2.0 N•m |

- Abnormal heat generated by terminals may occasionally result in fire damage. When tightening terminal screws, be sure that no non-conductive foreign matter is caught in screw.
 - For GN3A Relays of 40 A or higher, use crimp terminals of an appropriate size for the wire diameter for M5 terminals.
 - Do not use any wires with damaged sheaths. These may cause electric shock or leakage.
 - Do not place wiring in the same conduit or duct as high-voltage lines. Induction may cause malfunction or damage.
 - Use wires of an appropriate length, otherwise malfunction and damage may result due to induction.
 - Mount the DIN Track securely. Otherwise, the DIN Track may fall.
 - Be sure that the G3NA clicks into place when mounting it to DIN Track. The G3NA may fall if it is not mounted correctly.
 - Do not mount the G3NA when your hands are oily or dirty, e.g., with metal powder. These may cause G3NA failure.
 - Tighten the G3NA screws securely. Tightening torque: 0.78 to 0.98 N•m
 - Tighten the heat sink screws securely. Tightening torque: 0.98 to 1.47 N•m
4. Preventing Overheating
 - When using the High-capacity Heat Sink (Y92B-P250NF), always use a thermostat or other method to protect from overheating in the event that the fan stops.
 5. Do Not Touch Fan Blades
 - When the fan is operating, do not touch the fan blades with any part of your body or allow foreign matter to come into contact with the blades. Always attach the enclosed finger guard when using the G3NA.
 6. Operating Conditions
 - Only use the G3NA with loads that are within the rated values. Using the G3NA with loads outside the rated values may result in malfunction, damage, or burning.
 - Use a power supply within the rated frequency range. Using a power supply outside the rated frequency range may result in malfunction, damage, or burning.
 7. Do not transport the G3NA under the following conditions. Failure or malfunction may occur.
 - Conditions under which the G3NA will be exposed to water
 - High temperatures or high humidity
 - Without proper packing

Operating and Storage Locations

Do not use or store the G3NA in the following locations. Doing so may result in damage, malfunction, or deterioration of performance characteristics.

- Do not use or store in locations subject to direct sunlight.
- Do not use in locations subject to ambient temperatures outside the range -20 to 60°C.
- Do not use in locations subject to relative humidity outside the range 45% to 85% or locations subject to condensation as the result of severe changes in temperature.
- Do not store in locations subject to ambient temperatures outside the range -30 to 70°C.
- Do not use or store in locations subject to corrosive or flammable gases.
- Do not use or store in locations subject to dust (especially iron dust) or salts.
- Do not use or store in locations subject to shock or vibration.
- Do not use or store in locations subject to exposure to water, oil, or chemicals.
- Do not use or store in locations subject to high temperatures or high humidity.
- Do not use or store in locations subject to salt damage.
- Do not use or store in locations subject to rain or water drops.

Precautions for Correct Use

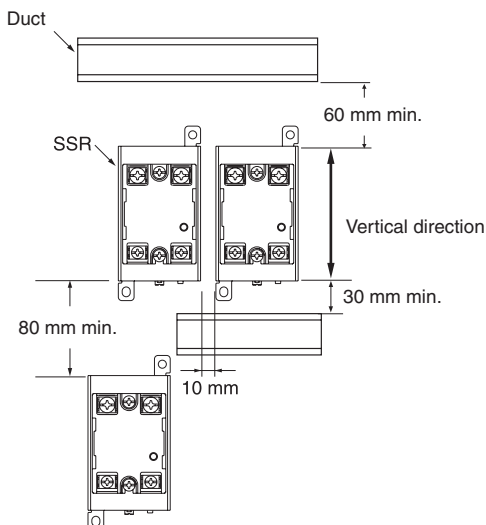
Please observe the following precautions to prevent failure to operate, malfunction, or undesirable effect on product performance.

Before Actual Operation

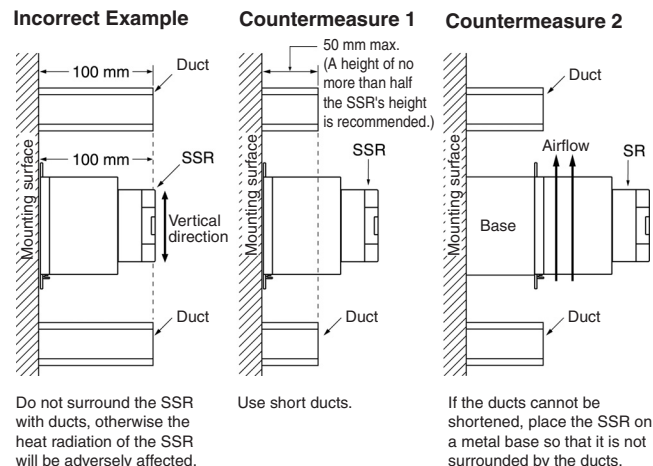
1. The G3NA in operation may cause an unexpected accident. Therefore it is necessary to test the G3NA under the variety of conditions that are possible. As for the characteristics of the G3NA, it is necessary to consider differences in characteristics between individual SSRs.
2. Unless otherwise specified, the ratings in this catalog are tested values in a temperature range between 15°C and 30°C, a relative humidity range between 25% and 85%, and an atmospheric pressure range between 88 and 106 kPa (standard test conditions according to JIS C5442). It will be necessary to provide the above conditions as well as the load conditions if the user wants to confirm the ratings of specific G3NAs.

Mounting Method

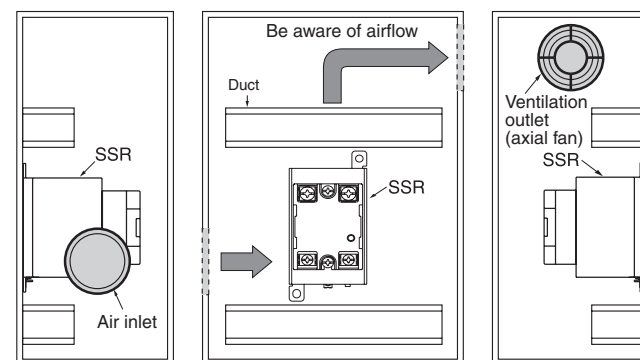
SSR Mounting Pitch (Panel Mounting)



Relationship between SSRs and Duct Height



Ventilation Outside the Control Panel



If the air inlet or air outlet has a filter, clean the filter regularly to prevent it from clogging to ensure an efficient flow of air.

Do not locate any objects around the air inlet or air outlet, otherwise the objects may obstruct the proper ventilation of the control panel.

A heat exchanger, if used, should be located in front of the SSRs to ensure the efficiency of the heat exchanger.

- Please reduce the ambient temperature of SSRs. The rated load current of an SSR is measured at an ambient temperature of 40°C.
- An SSR uses a semiconductor in the output element. This causes the temperature inside the control panel to increase due to heating resulting from the passage of electrical current through the load. To restrict heating, attach a fan to the ventilation outlet or air inlet of the control panel to ventilate the panel. This will reduce the ambient temperature of the SSRs and thus increase reliability. (Generally, each 10 °C reduction in temperature will double the expected life.)

| Load current (A) | 5 A | 10 A | 20 A | 40 A | 75 A | 90 A |
|---------------------------------|------|------|------|------|------|------|
| Required number of fans per SSR | 0.08 | 0.16 | 0.31 | 0.62 | 1.2 | 1.44 |

Example: For 10 SSRs with load currents of 10 A,
 $0.16 \times 10 = 1.6$
 Thus, 2 fans would be required.

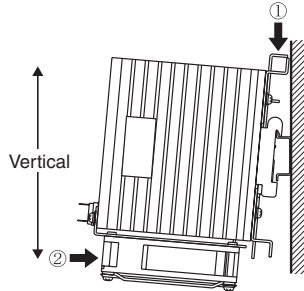
Size of fans: 92 mm², Air volume: 0.7 m³/min,
 Ambient temperature of control panel: 30 °C

If there are other instruments that generate heat in the control panel other than SSRs, additional ventilation will be required.

High-capacity Heat Sink (Y92B-P250NF)

DIN-track Mounting

- Assembled DIN Tracks are heavy. Mount the DIN Tracks securely. Be sure that the Heat Sink is securely locked to the DIN Track.
- Attach End Plates (PPF-M, order separately) to both ends of the Units on the DIN Track to hold them in place.
- To mount a Heat Sink to a DIN Track, press down at the point indicated by arrow 1 in the diagram and then press in the Heat Sink at the point indicated by arrow 2.



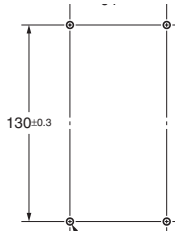
Applicable DIN Track

Mounting is possible on TE35-15Fe (IEC 60715) DIN tracks. DIN tracks from the following manufacturers can be used.

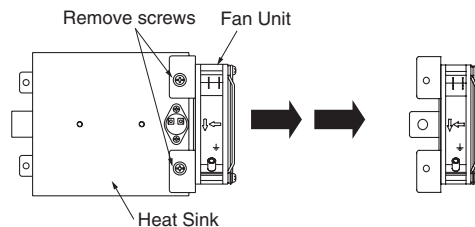
| Manufacturer | Thickness: 1.5 mm | Thickness: 2.3 mm |
|--------------|--------------------|-------------------|
| Schneider | AM1-DE2000 | --- |
| WAGO | 210-114 or 210-197 | 210-118 |
| PHOENIX | N35/15 | N35/15/15-2.3 |

Direct Mounting

- Prepare mounting holes as shown in the diagram. Tightening torque: 0.98 to 1.47 N•m



- When mounting a Heat Sink directly, first remove the Fan Unit, then mount the Heat Sink by itself before attaching the Fan Unit again. (Remove the two screws shown in the following diagram.)



- First, temporarily mount the Heat Sink with the bottom two screws and then attach the top two screws with the mounting bracket sandwiched between the Heat Sink and mounting surface. Finally, tighten all four screws.

Ratings and Characteristics of High-capacity Heat Sink (Y92B-P250NF)

Fan Ratings

| | |
|---------------------------|--|
| Rated voltage | 200 V |
| Operating voltage | 85% to 110% of rated voltage |
| Frequency | 50/60 Hz |
| Rated current (See note.) | 0.085 A at 50 Hz 0.072 A at 60 Hz |
| Rated speed (See note.) | 2,500 r/min at 50 Hz 2,850 r/min at 60 Hz |

Note: Average values.

Thermostat Ratings

| | |
|-----------------------|---|
| Operating temperature | Approx. 90°C |
| Contact ratings | 3 A at 240 VAC, resistive load 3 A at 24 VDC, resistive load |

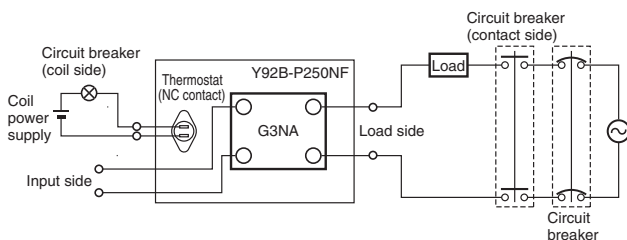
Fan/Thermostat Characteristics

| | |
|-------------------------------|--|
| Insulation class (Fan) | VDE: E (120°C) UL: A (105°C) CSA: B (130°C) |
| Protection class | 1 |
| Insulation resistance | 100 MΩ min. (at 500 VDC) between power supply connections and non-charged metal part |
| Dielectric strength | Fan: 2,000 VAC for 1 min Thermostat: 1,500 VAC for 1 min Between power supply connections and non-charged metal part |
| Ambient operating temperature | -30 to 70°C (with no icing) |
| Storage temperature | -40 to 85°C (with no icing) |
| Ambient operating humidity | 25% to 85% |

- Use a commercial power supply (50/60 Hz) for the Fan.
- Be sure to turn OFF the power supply and wait for the blades to stop before inspecting the Fan.
- High-precision ball bearings are used in the fan and these may be damaged if the Fan is dropped or otherwise subjected to shock. The life and characteristics of the Fan will be reduced if the bearings are damaged. Do not subject the Fan to shock.
- The life of the Fan depends on the ambient temperature. As a guideline, the Fan life is 40,000 hours for continuous usage at 40°C.
- Be sure there are no objects near the air vents that would restrict air flow and no loose objects, such as electrical lines.
- The tightening torque of the mounting screw when replacing the Fan is 0.38 to 0.50 N•m.
- Terminals equivalent to Faston #110 are used for the Fan power supply terminals.
- Connect the ground screw hole on the fan to PE.

Preventing Overheating with a High-capacity Heat Sink (Y92B-P250NF)

- When the High-capacity Heat Sink is used, high-capacity switching at 75 A or 90 A requires forced cooling with a fan. Connect the Fan to a power supply according to its ratings specifications.
- If the Fan stops due to a power supply error, due to foreign matter in the power supply connection, or due to aging, the Heat Sink will heat to high temperatures, possibly resulting in failure of the SSR or adverse effects on other devices. Implement an overheating prevention measure, such as turning OFF the load current, if the Heat Sink overheats.
- A thermostat is provided to detect overheating. The thermostat uses a NC contact, i.e., the circuit will be opened for overheating. This thermostat can be used to stop the operation of the SSR. Implement an overheating prevention measure by using this signal to output an alarm or perform another response applicable to the system. Also, confirm that there is no problem with the overall system.
- Do not connect the thermostat directly to the load power supply. Connect it to a contactor or other shutoff device connected above the SSR.
- Terminals equivalent to Faston #187 are used for the thermostat terminals.
- Do not place heat-dissipating silicon grease on the thermostat.
- Do not solder the thermostat terminals.
- The following diagram shows a protective circuit example.



Ventilating a High-capacity Heat Sink (Y92B-P250NF)

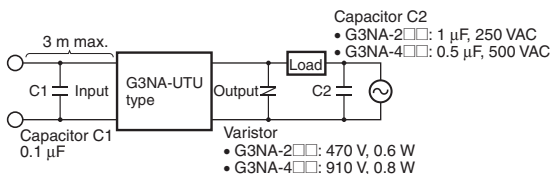
- Refer to *Ventilation Outside the Control Panel*.

Operating Conditions

- Do not apply currents exceeding the rated current otherwise, the temperature of the G3NA may rise excessively.
- As protection against accidents due to short-circuiting, be sure to install protective devices, such as fuses and no-fuse breakers, on the power supply side.
- Do not apply overvoltages to the input circuit or output circuit. Failure or burning may result.
- Do not drop the G3NA or otherwise subject it to abnormal shock. Malfunction or failure may result.
- Keep the cooling system running continuously during the ON/OFF operation of the SSR. This is to allow residual heat to dissipate while the SSR is OFF.

Noise Terminal Voltage According to EN55011

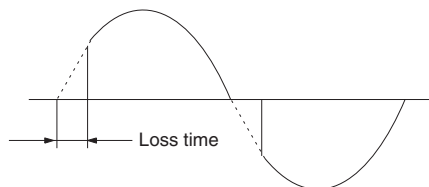
The G3NA-UTU complies with EN55011 standards when a capacitor is connected to the load power supply as shown in the following circuit diagram.



- Connect capacitor C1 to both sides of the input terminals for a G3NA with a DC input.
- Connect capacitor C2 to both sides of the load power supply output.
- Connect the varistor to both sides of the G3NA output terminals.
- Do not use an input line that is longer than 3 m.

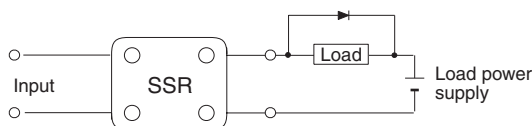
Loss Time

The loss time will increase when the G3NA is used at a low applied voltage or current. Be sure that this does not cause any problems.



Using DC Loads

For a DC or L load, a diode should be connected in parallel the load to absorb the counter electromotive force of the load.



Fuses

Connect a quick-break fuse in series with the load as a short-circuit protection measure. Use one of the fuses in the following table or one with equivalent or better characteristics.

Recommended Fuses

| G3NA rated load current | Fuse model | Manufacturer | Applicable SSR |
|-------------------------|--------------------|---------------------------------------|----------------|
| 5 A | 60LFF5 | Kyoson Electric Manufacturing Company | G3NA-205B |
| 8 A | 60LFF8 | | G3NA-210B |
| 10 A | 60LFF10 | | G3NA-220B |
| 15 A | 60LFF15 | | G3NA-240B |
| 20 A | 60LFF20 50SHA20 | | |
| 25 A | 60PFF25 50SHA25 | | |
| 30 A | 60PFF30 50SHA30 | | |
| 40 A | 50SHA40 | | G3NA-275B-UTU |
| 45 A | 50SHA45 | | |
| 50 A | 50SHA50 | | |
| 75 A | 50SHA75 | | |
| 80 A | 50SHA80 | G3NA-290B-UTU | |
| 100 A | 50SHB100 | | |

Reverse Connection

The output terminal side of the G3NA-D210B is connected to a built-in diode to protect the SSR from damage that may result from reverse connection. The SSR, however, cannot withstand one minute or more if the wires are connected in reverse. Therefore, pay the utmost attention not to make polarity mistakes on the load side.

■ Precautions on Operating and Storage Environments

1. Operating Ambient Temperature

The rated value for the ambient operating temperature of the G3NA is for when there is no heat build-up. For this reason, under conditions where heat dissipation is not good due to poor ventilation, and where heat may build up easily, the actual temperature of the G3NA may exceed the rated value resulting in malfunction or burning.

When using the G3NA, design the system to allow heat dissipation sufficient to stay below the *Load Current vs. Ambient Temperature* characteristic curve. Note also that the ambient temperature of the G3NA may increase as a result of environmental conditions (e.g., climate or air-conditioning) and operating conditions (e.g., mounting in an airtight panel).

2. Transportation

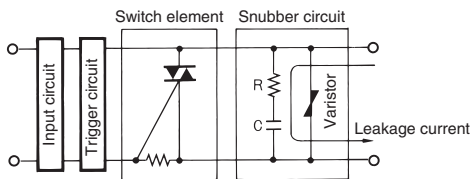
When transporting the G3NA, observe the following points. Not doing so may result in damage, malfunction, or deterioration of performance characteristics.

- Do not drop the G3NA or subject it to severe vibration or shock.
- Do not transport the G3NA if it is wet.
- Do not transport the G3NA under high temperatures or humidity.
- Do not transport the G3NA without packing it properly.

■ Operation

1. Leakage Current

A leakage current flows through a snubber circuit in the G3NA even when there is no power input. Therefore, always turn OFF the power to the input or load and check that it is safe before replacing or wiring the G3NA.



3. Vibration and Shock

Do not subject the G3NA to excessive vibration or shock. Otherwise the G3NA may malfunction and internal components may be deformed or damaged, resulting in failure of the G3NA to operate. To prevent the G3NA from abnormal vibration, do not install the G3NA in locations or by means that will subject it to vibration from other devices, such as motors.

4. Solvents

Do not allow the G3NA or the resin portion of the Fan's thermostat to come in contact with solvents, such as thinners or gasoline. Doing so will dissolve the markings on the G3NA.

5. Oil

Do not allow the G3NA terminal cover to come in contact with oil. Doing so will cause the cover to crack and become cloudy.

2. Screw Tightening Torque

Tighten the G3NA terminal screws properly. If the screws are not tight, the G3NA will be damaged by heat generated when the power is ON. Perform wiring using the specified tightening torque.

3. Handling Relays

Do not mount the G3NA when your hands are oily or dirty, e.g., with metal powder. These may cause G3NA failure.

4. Do Not Drop

Be careful not to drop a Relay or Heat Sink onto any part of your body while working. Injury may result. This is particularly true for the High-capacity Heat Sink (Y92B-P250NF), which weighs 2.5 kg.

Omron Electronic Components, LLC

Terms and Conditions of Sales

I. GENERAL

- Definitions:** The words used herein are defined as follows.
 - Terms:** These terms and conditions
 - Seller:** Omron Electronic Components LLC and its subsidiaries
 - Buyer:** The buyer of Products, including any end user in section III through VI
 - Products:** Products and/or services of Seller
 - Including:** Including without limitation
- Offer/Acceptance:** These Terms are deemed part of all quotations, acknowledgments, invoices, purchase orders and other documents, whether electronic or in writing, relating to the sale of Products by Seller. Seller hereby objects to any Terms proposed in Buyer's purchase order or other documents which are inconsistent with, or in addition to, these Terms.
- Distributor:** Any distributor shall inform its customer of the contents after and including section III of these Terms.

II. SALES

- Prices/Payment:** All prices stated are current, subject to change without notice by Seller. Buyer agrees to pay the price in effect at time of shipment. Payments for Products received are due net 30 days unless otherwise stated in the invoice. Buyer shall have no right to set off any amounts against the amount owing in respect of this invoice.
- Discounts:** Cash discounts, if any, will apply only on the net amount of invoices sent to Buyer after deducting transportation charges, taxes and duties, and will be allowed only if (a) the invoice is paid according to Seller's payment terms and (b) Buyer has no past due amounts owing to Seller.
- Interest:** Seller, at its option, may charge Buyer 1.5% interest per month or the maximum legal rate, whichever is less, on any balance not paid within the stated terms.
- Orders:** Seller will accept no order less than 200 U.S. dollars net billing.
- Currencies:** If the prices quoted herein are in a currency other than U.S. dollars, Buyer shall make remittance to Seller at the then current exchange rate most favorable to Seller; provided that if remittance is not made when due, Buyer will convert the amount to U.S. dollars at the then current exchange rate most favorable to Seller available during the period between the due date and the date remittance is actually made.
- Governmental Approvals:** Buyer shall be responsible for all costs involved in obtaining any government approvals regarding the importation or sale of the Products.
- Taxes:** All taxes, duties and other governmental charges (other than general real property and income taxes), including any interest or penalties thereon, imposed directly or indirectly on Seller or required to be collected directly or indirectly by Seller for the manufacture, production, sale, delivery, importation, consumption or use of the Products sold hereunder (including customs duties and sales, excise, use, turnover and license taxes) shall be charged to and remitted by Buyer to Seller.
- Financial:** If the financial position of Buyer at any time becomes unsatisfactory to Seller, Seller reserves the right to stop shipments or require satisfactory security or payment in advance. If Buyer fails to make payment or otherwise comply with these Terms or any related agreement, Seller may (without liability and in addition to other remedies) cancel any unshipped portion of Products sold hereunder and stop any Products in transit until Buyer pays all amounts, including amounts payable hereunder, whether or not then due, which are owing to it by Buyer. Buyer shall in any event remain liable for all unpaid accounts.
- Cancellation; Etc:** Orders are not subject to rescheduling or cancellation unless Buyer indemnifies Seller fully against all costs or expenses arising in connection therewith.
- Force Majeure:** Seller shall not be liable for any delay or failure in delivery resulting from causes beyond its control, including earthquakes, fires, floods, strikes or other labor disputes, shortage of labor or materials, accidents to machinery, acts of sabotage, riots, delay in or lack of transportation or the requirements of any government authority.
- Shipping/Delivery:** Unless otherwise expressly agreed in writing by Seller:
 - All sales and shipments of Products shall be FOB shipping point (unless otherwise stated in writing by Seller), at which point title to and all risk of loss of the Products shall pass from Seller to Buyer, provided that Seller shall retain a security interest in the Products until the full purchase price is paid by Buyer;
 - Delivery and shipping dates are estimates only; and
 - Seller will package Products as it deems proper for protection against normal handling and extra charges apply to special conditions.
- Claims:** Any claim by Buyer against Seller for shortage or damage to the Products occurring before delivery to the carrier must be presented in detail in writing to Seller within 30 days of receipt of shipment.

III. PRECAUTIONS

- Suitability:** IT IS THE BUYER'S SOLE RESPONSIBILITY TO ENSURE THAT ANY OMRON PRODUCT IS FIT AND SUFFICIENT FOR USE IN A MOTORIZED VEHICLE APPLICATION. BUYER SHALL BE SOLELY RESPONSIBLE FOR DETERMINING APPROPRIATENESS OF THE PARTICULAR PRODUCT WITH RESPECT TO THE BUYER'S APPLICATION INCLUDING (A) ELECTRICAL OR ELECTRONIC COMPONENTS, (B) CIRCUITS, (C) SYSTEM ASSEMBLIES, (D) END PRODUCT, (E) SYSTEM, (F) MATERIALS OR SUBSTANCES OR (G) OPERATING ENVIRONMENT. Buyer acknowledges that it alone has determined that the Products will meet their requirements of the intended use in all cases. Buyer must know and observe all prohibitions of use applicable to the Product/s.
- Use with Attention:** The followings are some examples of applications for which particular attention must be given. This is not intended to be an exhaustive list of all possible use of any Product, nor to imply that any use listed may be suitable for any Product:
 - Outdoor use, use involving potential chemical contamination or electrical interference.
 - Use in consumer Products or any use in significant quantities.

- Energy control systems, combustion systems, railroad systems, aviation systems, medical equipment, amusement machines, vehicles, safety equipment, and installations subject to separate industry or government regulations.
 - Systems, machines, and equipment that could present a risk to life or property.
- Prohibited Use:** NEVER USE THE PRODUCT FOR AN APPLICATION INVOLVING SERIOUS RISK TO LIFE OR PROPERTY WITHOUT ENSURING THAT THE SYSTEM AS A WHOLE HAS BEEN DESIGNED TO ADDRESS THE RISKS, AND THAT THE PRODUCT IS PROPERLY RATED AND INSTALLED FOR THE INTENDED USE WITHIN THE OVERALL EQUIPMENT OR SYSTEM.
 - Motorized Vehicle Application:** USE OF ANY PRODUCT/S FOR A MOTORIZED VEHICLE APPLICATION MUST BE EXPRESSLY STATED IN THE SPECIFICATION BY SELLER.
 - Programmable Products:** Seller shall not be responsible for the Buyer's programming of a programmable Product.

IV. WARRANTY AND LIMITATION

- Warranty:** Seller's exclusive warranty is that the Products will be free from defects in materials and workmanship for a period of twelve months from the date of sale by Seller (or such other period expressed in writing by Seller). SELLER MAKES NO WARRANTY OR REPRESENTATION, EXPRESS OR IMPLIED, ABOUT ALL OTHER WARRANTIES, NON-INFRINGEMENT, MERCHANTABILITY OR FITNESS FOR A PARTICULAR PURPOSE OF THE PRODUCTS.
- Buyer Remedy:** Seller's sole obligation hereunder shall be to replace (in the form originally shipped with Buyer responsible for labor charges for removal or replacement thereof) the non-complying Product or, at Seller's election, to repay or credit Buyer an amount equal to the purchase price of the Product; provided that there shall be no liability for Seller or its affiliates unless Seller's analysis confirms that the Products were handled, stored, installed and maintained and not subject to contamination, abuse, misuse or inappropriate modification. Return of any Products by Buyer must be approved in writing by Seller before shipment.
- Limitation on Liability:** SELLER AND ITS AFFILIATES SHALL NOT BE LIABLE FOR SPECIAL, INDIRECT, INCIDENTAL OR CONSEQUENTIAL DAMAGES, LOSS OF PROFITS OR PRODUCTION OR COMMERCIAL LOSS IN ANY WAY CONNECTED WITH THE PRODUCTS, WHETHER SUCH CLAIM IS BASED IN CONTRACT, WARRANTY, NEGLIGENCE OR STRICT LIABILITY. FURTHER, IN NO EVENT SHALL LIABILITY OF SELLER OR ITS AFFILIATES EXCEED THE INDIVIDUAL PRICE OF THE PRODUCT ON WHICH LIABILITY IS ASSERTED.
- Indemnities:** Buyer shall indemnify and hold harmless Seller, its affiliates and its employees from and against all liabilities, losses, claims, costs and expenses (including attorney's fees and expenses) related to any claim, investigation, litigation or proceeding (whether or not Seller is a party) which arises or is alleged to arise from Buyer's acts or omissions under these Terms or in any way with respect to the Products.

V. INFORMATION; ETC.

- Intellectual Property:** The intellectual property embodied in the Products is the exclusive property of Seller and its affiliates and Buyer shall not attempt to duplicate it in any way without the written permission of Seller. Buyer (at its own expense) shall indemnify and hold harmless Seller and defend or settle any action brought against Seller to the extent that it is based on a claim that any Product made to Buyer specifications infringed intellectual property rights of another party.
- Property/Confidentiality:** Notwithstanding any charges to Buyer for engineering or tooling, all engineering and tooling shall remain the exclusive property of Seller. All information and materials supplied by Seller to Buyer relating to the Products are confidential and proprietary, and Buyer shall limit distribution thereof to its trusted employees and strictly prevent disclosure to any third party.
- Performance Data:** Performance data is provided as a guide in determining suitability and does not constitute a warranty. It may represent the result of Seller's test conditions, and the users must correlate it to actual application requirements.
- Change In Specifications:** Product specifications and description may be changed at any time based on improvements or other reasons. It is Seller's practice to change part numbers when published ratings or features are changed, or when significant engineering changes are made. However, some specifications of the Product may be changed without any notice.
- Errors And Omissions:** The information on Seller's website or in other documentation has been carefully checked and is believed to be accurate; however, no responsibility is assumed for clerical, typographical or proofreading errors or omissions.
- Export Controls:** Buyer shall comply with all applicable laws, regulations and licenses regarding (a) export of the Products or information provided by Seller; (b) sale of Products to forbidden or other proscribed persons or organizations; (c) disclosure to non-citizens of regulated technology or information.

VI. MISCELLANEOUS

- Waiver:** No failure or delay by Seller in exercising any right and no course of dealing between Buyer and Seller shall operate as a waiver of rights by Seller.
- Assignment:** Buyer may not assign its rights hereunder without Seller's written consent.
- Law:** These Terms are governed by Illinois law (without regard to conflict of laws). Federal and state courts in Illinois have exclusive jurisdiction for any dispute hereunder.
- Amendment:** These Terms constitute the entire agreement between Buyer and Seller relating to the Products, and no provision may be changed or waived unless in writing signed by the parties.
- Severability:** If any provision hereof is rendered ineffective or invalid, such provision shall not invalidate any other provision.

Certain Precautions on Specifications and Use

1. **Suitability for Use.** Seller shall not be responsible for conformity with any standards, codes or regulations which apply to the combination of the Product in Buyer's application or use of the Product. At Buyer's request, Seller will provide applicable third party certification documents identifying ratings and limitations of use which apply to the Product. This information by itself is not sufficient for a complete determination of the suitability of the Product in combination with the end product, machine, system, or other application or use. Buyer shall be solely responsible for determining appropriateness of the particular Product with respect to Buyer's application, product or system. Buyer shall take application responsibility in all cases but the following is a non-exhaustive list of applications for which particular attention must be given:
 - (i) Outdoor use, uses involving potential chemical contamination or electrical interference, or conditions or uses not described in this document.
 - (ii) Energy control systems, combustion systems, railroad systems, aviation systems, medical equipment, amusement machines, vehicles, safety equipment, and installations subject to separate industry or government regulations.
 - (iii) Use in consumer products or any use in significant quantities.
 - (iv) Systems, machines and equipment that could present a risk to life or property. Please know and observe all prohibitions of use applicable to this product.

NEVER USE THE PRODUCT FOR AN APPLICATION INVOLVING SERIOUS RISK TO LIFE OR PROPERTY WITHOUT ENSURING THAT THE SYSTEM AS A WHOLE HAS BEEN DESIGNED TO ADDRESS THE RISKS, AND THAT THE OMRON PRODUCT IS PROPERLY RATED AND INSTALLED FOR THE INTENDED USE WITHIN THE OVERALL EQUIPMENT OR SYSTEM.
2. **Programmable Products.** Seller shall not be responsible for the user's programming of a programmable product, or any consequence thereof.
3. **Performance Data.** Performance data given in this publication is provided as a guide for the user in determining suitability and does not constitute a warranty. It may represent the result of Seller's test conditions, and the users must correlate it to actual application requirements. Actual performance is subject to Seller's Warranty and Limitations of Liability.
4. **Change in Specifications.** Product specifications and accessories may be changed at any time based on improvements and other reasons. It is our practice to change part numbers when published ratings or features are changed, or when significant construction changes are made. However, some specifications of the Product may be changed without any notice. When in doubt, special part numbers may be assigned to fix or establish key specifications for your application. Please consult with your Seller representative at any time to confirm actual specifications of purchased Product.
5. **Errors and Omissions.** The information in this publication has been carefully checked and is believed to be accurate; however, no responsibility is assumed for clerical, typographical or proofreading errors, or omissions.
6. **RoHS Compliance.** Where indicated, our products currently comply, to the best of our knowledge as of the date of this publication, with the requirements of the European Union's Directive on the Restriction of certain Hazardous Substances ("RoHS"), although the requirements of RoHS do not take effect until July 2006. These requirements may be subject to change. Please consult our website for current information.

Complete "Terms and Conditions of Sale" for product purchase and use are on Omron's website at <http://www.components.omron.com> – under the "About Us" tab, in the Legal Matters section.

ALL DIMENSIONS SHOWN ARE IN MILLIMETERS.

To convert millimeters into inches, multiply by 0.03937. To convert grams into ounces, multiply by 0.03527.

OMRON®

**OMRON ELECTRONIC
COMPONENTS LLC**

55 E. Commerce Drive, Suite B
Schaumburg, IL 60173

847-882-2288

OMRON ON-LINE

Global - <http://www.omron.com>

USA - <http://www.components.omron.com>

Cat. No. J01C-E-01a

06/08

Specifications subject to change without notice

Printed in USA