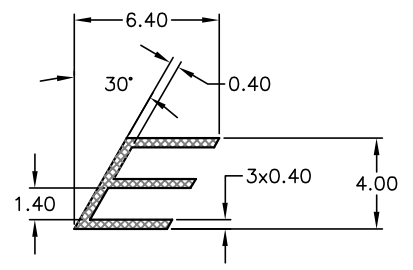
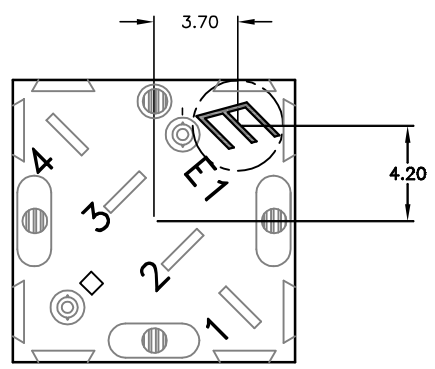
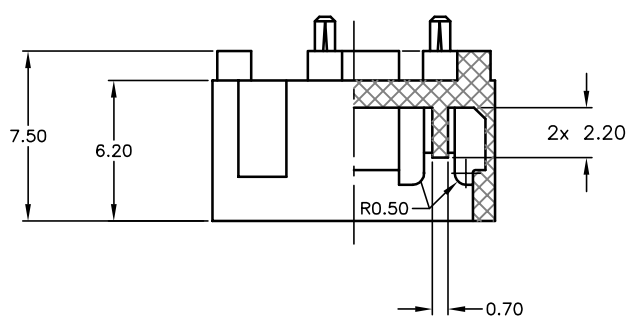


D - D



DETAIL N

NOTES:

1. ALL DIMENSIONS IN MM
2. GENERAL TOLERANCE: X.X=±0.4  
X.XX=±0.25
3. MATERIAL: HIGH TEMP (UL94) NYLON 6/6

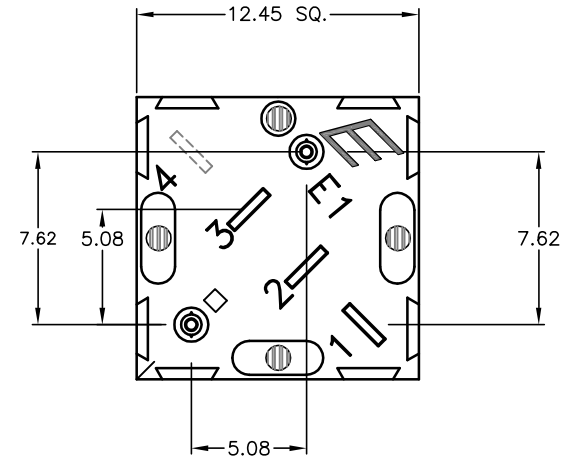
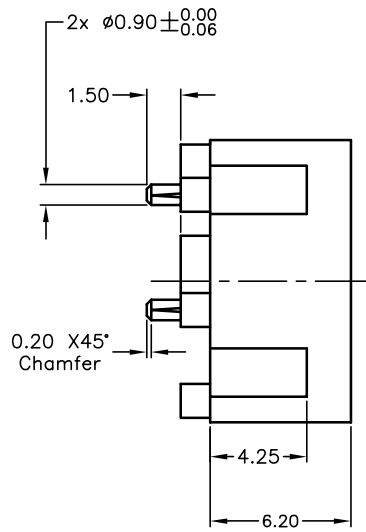
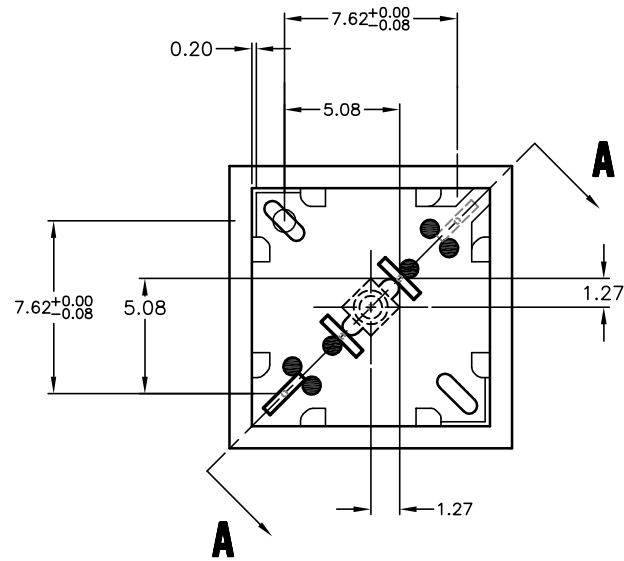
**E-SWITCH®**

A	13655	RELEASED FOR PRODUCTION	12/16/03	AR
REV.	ECN No.	DESCRIPTION	DATE	CHKD

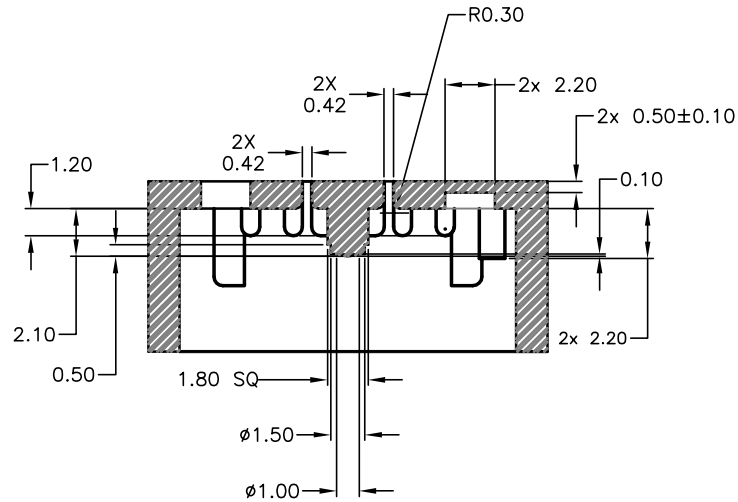
TITLE  
320E12 BODY NO TERMINALS

THE INFORMATION CONTAINED IN THIS DOCUMENT IS PROPRIETARY TO E-SWITCH AND IS NOT TO BE COPIED OR TRANSFERRED

SCALE 3:1	DATE 12/16/03	DR AR	DWG B010003	REV A
--------------	------------------	----------	----------------	----------



**SECTION A-A**



**NOTES:**

1. ALL DIMENSIONS IN MM
2. GENERAL TOLERANCE: X.X=±0.4  
X.XX=±0.25

**E-SWITCH®**

TITLE				
320E12BODY NO TERMINALS				
SCALE	DATE	DR	DWG	REV
3:1	12/16/03	AR	B010003	A

A	13655	RELEASED FOR PRODUCTION	12/16/03	AR
REV.	ECN No.	DESCRIPTION	DATE	CHKD

THE INFORMATION CONTAINED IN THIS DOCUMENT IS PROPRIETARY TO E-SWITCH AND IS NOT TO BE COPIED OR TRANSFERRED