

## IE-1000

The Digital View IE-1000 image enhancer board, improves 10 bit 120Hz display.

The IE-1000 is a HD image enhancer interface board capable of driving 10-bit, 120 Hz LCD panels up to 1920 x 1200. Benefits include elimination of film judder and reduced blur caused by latent LCD response times via fast motion compensation frame interpolation. The IE-1000 is an add-on board that can be used with the SVH-1920 LCD Controller, as well as the SVX-1920 and SVH-1920+ LCD Controller.

### Panel Connectivity

TFT: •1920x1200, 120Hz  
•1920x1080, 120Hz

### Features

#### Image :

Eliminates film judder and reduces blur caused by latent LCD response time via fast motion compensation frame interpolation.

#### Signal support capability:

Input port :

2 channel LVDS @max 85MHz each

Supports up to 1080p@60Hz

Output port :

4 channel LVDS @85MHz each

Supports up to 1920x1200 120Hz panel resolution.

Colors: Up to 10 bit per color, ie 1.07 billion of colors.

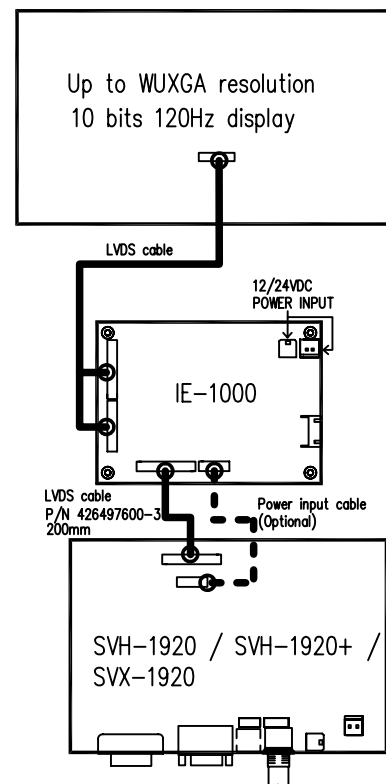
Power Requirements: +12VDC / +24VDC ±5%, 15W  
(IE-1000 only)

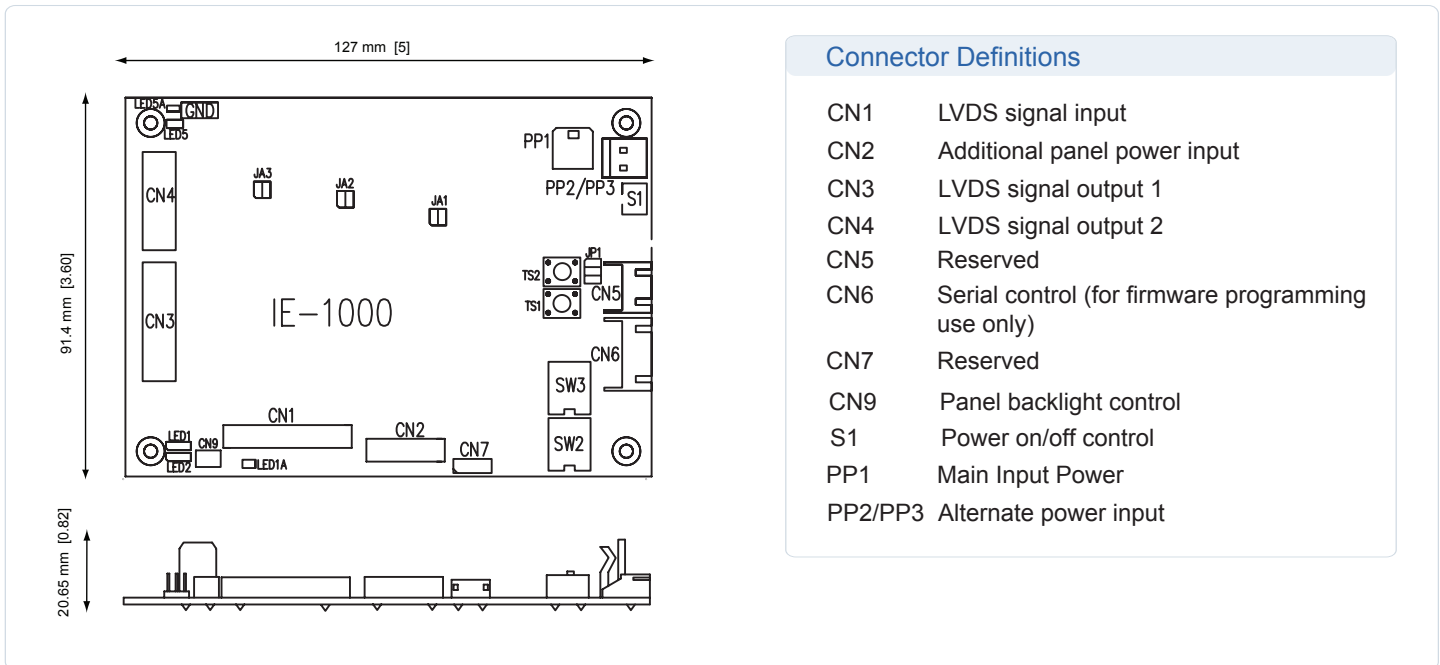
Status Indicator: On board LED status for power in and Signal.

### Reliability

Calculated Mean Time Between Failures - In excess of 100,000 hours. Warranty - 3 years.

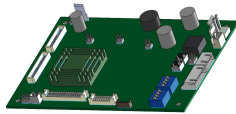
### System configuration





### Connector Definitions

CN1	LVDS signal input
CN2	Additional panel power input
CN3	LVDS signal output 1
CN4	LVDS signal output 2
CN5	Reserved
CN6	Serial control (for firmware programming use only)
CN7	Reserved
CN9	Panel backlight control
S1	Power on/off control
PP1	Main Input Power
PP2/PP3	Alternate power input



### Ready-made 3D Pro-E (SLDPRT) drawing files

Save time and effort for your system volumetric analysis design. Includes jpg file previews.



### Controller Solution Generator

A web based resource matching controllers & panels with connection diagrams for download.

### Accessories\*

426013800-3	Power-Input Cable for PP1, 160mm
426497600-3	LVDS cable connect between IE-1000 and controller.
416040010-3	RS-232 Cable (for firmware programming)

### Available Documentation

- Instruction Manual
- Revision control documentation
- Schematic diagrams (Subject to NDA)
- Mechanical Drawings
- Serial Port Programming Manual\*\*

\* See accessories page on website for details.

\*\* Available upon request.

ASIA	USA	EUROPE
Digital View Ltd. 16th Floor Millennium City 3 370 Kwun Tong Road Kwun Tong, Hong Kong  Tel: (852) 2861-3615 Fax: (852) 2520-2987 Email: hksales@digitalview.com	Digital View Inc. 18440 Technology Drive Morgan Hill, CA 95037 USA  Tel: 1 (408) 782-7773 Fax: 1 (408) 782-7883 Email: ussales@digitalview.com	Digital View Ltd. 6 Marylebone Passage London, W1W 8EX UK  Tel: +44 20-7631-2150 Fax: +44 20-7631-2156 Email: uksales@digitalview.com

# Mouser Electronics

Authorized Distributor

Click to View Pricing, Inventory, Delivery & Lifecycle Information:

[Digital View:](#)

[4171900XX-3](#)