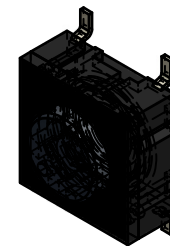
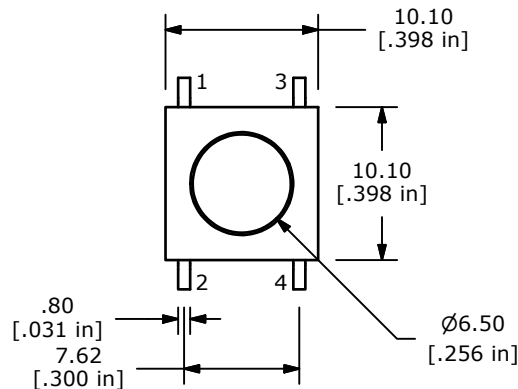
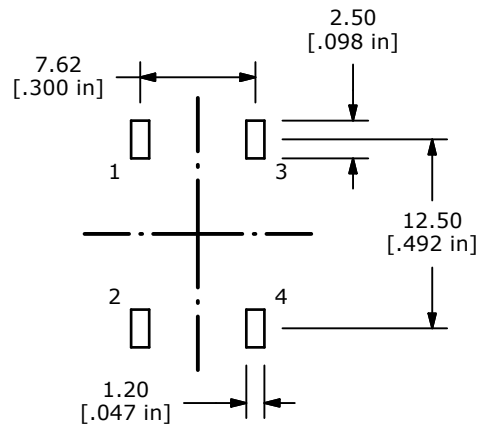
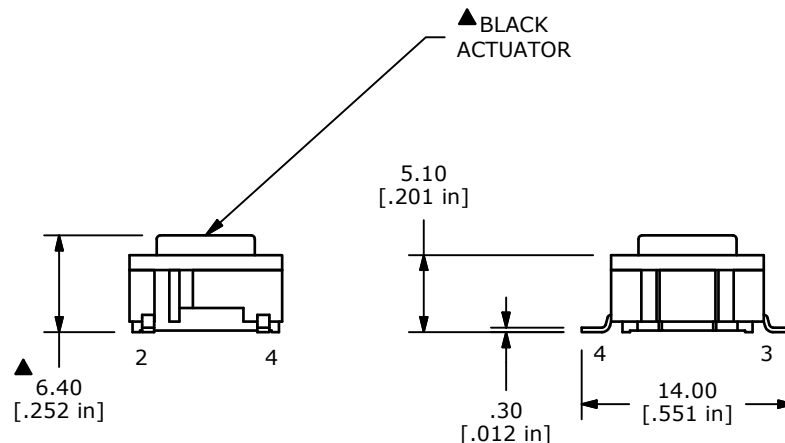


▲ CIRCUIT: SPST



NOTES:

1. ALL DIMENSIONS IN MM [INCH]
2. GENERAL TOLERANCE: x.x = ± 0.4  
x.xx = ± 0.25
3. TERM. NOS. FOR REF ONLY
4. RATING: 50 MILLI-AMPS @24VDC
5. TRAVEL: 1.0 +/-0.5mm
6. CONTACT RESISTANCE: 30 MILLIOHMS MAX
7. INSULATION RESISTANCE: 10M OHMS MIN. AT 100VDC
8. DIELECTRIC STRENGTH: 250VAC FOR 1 MINUTE
- ▲ 9. OPERATING FORCE: 300 ± 75 GF
10. PACKAGING: TAPE AND REEL, 650 PIECES PER REEL
11. LIFE CYCLES: 10,000,000 ACTUATIONS
12. ▲ DENOTES CRITICAL PARAMETER
13. 2002/95/EC (ROHS) COMPLIANT



▲ BLACK ACTUATOR



TITLE TL6200ABF300QG

A	20968	New Release	1/14/13	rc
REV	PCR NO	DESCRIPTION	DATE	BY

THE INFORMATION CONTAINED IN THIS DOCUMENT IS PROPRIETARY TO E-SWITCH AND IS NOT TO BE COPIED OR TRANSFERRED

SCALE	DATE	DR	DWG	REV
2:1	1/7/2013	rc	T060000	A