
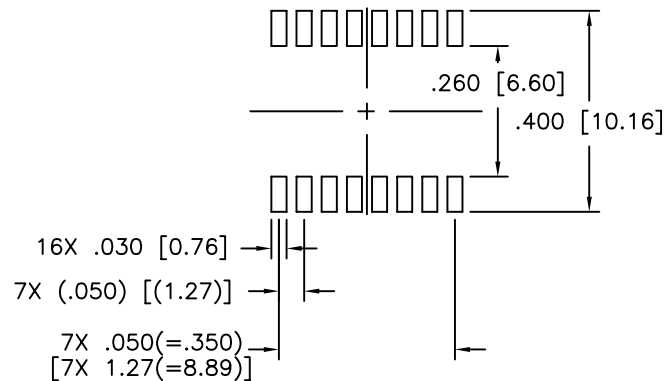
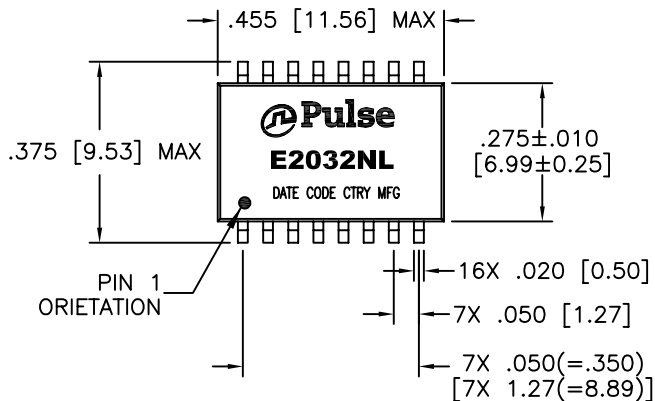


NOTES: UNLESS OTHERWISE SPECIFIED

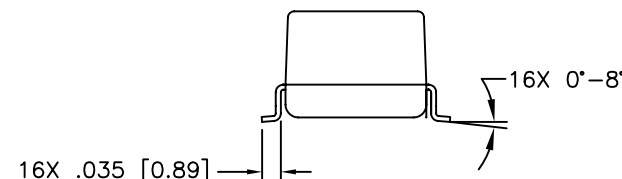
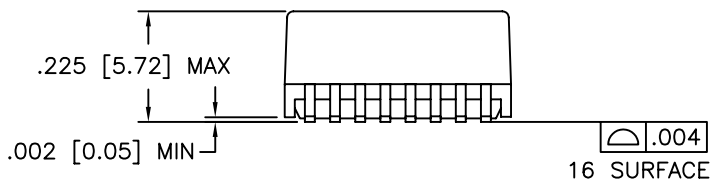
1.

| | |
|---|--|
| NOTICE: | THIS IS A RoHS COMPLIANT COMPONENT/PRODUCT. ALL ENGINEERING CHANGES MUST HAVE PRIOR APPROVAL BY THE DESIGN CENTER. |
| RoHS  | |

2. PLASTIC: THERMOSET PLASTIC MATERIAL WITH FLAMMABILITY RATING UL 94V-0 OR BETTER.
3. SOLDERABILITY: CONFORMS TO ANSI/J-STD-002, 245°C REFLOW PEAK TEMPERATURE PER IPC/EIA J-STD-003A
4. OPERATING TEMPERATURE: 0°C TO +70°C
5. STORAGE TEMPERATURE: -20°C TO +125°C
6. JEDEC MOISTURE: LEVEL 1.
7. DIMENSIONS ARE IN INCHES [MILLIMETERS] WITH THE FOLLOWING TOLERANCES: [MILLIMETERS] ARE FOR REFERENCE ONLY.
.XX= ±.02 [±0.5]
.XXX= ±.010 [±0.25]
8. NOT FOR SALE IN U.S.

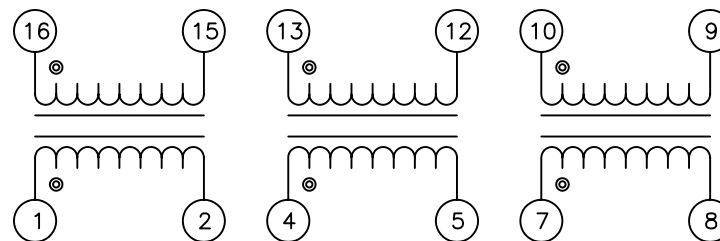


SUGGESTED LAND PATTERN



ELECTRICAL CHARACTERISTICS AT +25°C

| ITEM | SPECIFICATIONS | TEST CONDITIONS | SPEC |
|------|--------------------------------|-----------------|--------------|
| 1 | LP (14-16) | 10KHz/0.005VRMS | 67uH MIN |
| 2 | HIPOT PRI TO SEC | 1500VAC/1MIN | |
| 3 | TURN RATIO | 10KHz 10mV | 1:1 ±5% |
| 4 | DCR | | 0.3 OHMS MAX |
| 5 | LEAKAGE INDUCTANCE | 1MHz MIN | 0.25uH MIN |
| 6 | CAPACITANCE WINDING TO WINDING | 140KHz | 10pF MAX |



SCHEMATIC

© Copyright, 2013. Pulse Electronics, Inc. All rights reserved. Drawing specifications subject to change without notice. (10/15/13)

| | | | | | |
|--|------------------------|---------------|--------|--------------------|------|
| PULSE CONFIDENTIAL & PROPRIETARY | PRODUCT DESCRIPTION | PS DRAWING | SHEET: | DWG. NO./ PART NO. | REV. |
| | XFMR,SIN,10D,1:1,SM,TU | PS-2400.001-B | 1 | E2032NL | M12 |