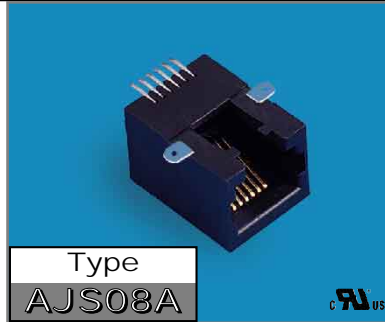


- Top Entry
- Super Low Profile
- 8 Positions

Type
AJS07A



- Side Entry
- Super Low Profile
- 8 Positions

Type
AJS08A

Technical Data

Housing: Glass filled Polyester or high temp. UL94V-0
Standard color Black

Contact: 0.35mm thickness Phosphor Bronze Alloy selective
Gold plating over Nickel over Tin

For electrical specifications see page 4

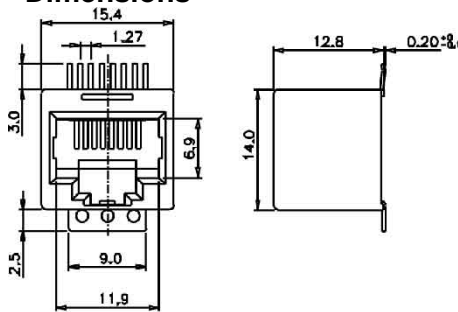
Technical Data

Housing: Glass filled Nylon FR52 UL94V-0
Standard color Black

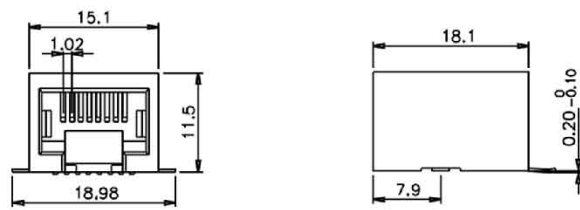
Contact: 0.35mm thickness diameter Phosphor Bronze Alloy
selective Gold plating over Nickel over Tin

For electrical specifications see page 4

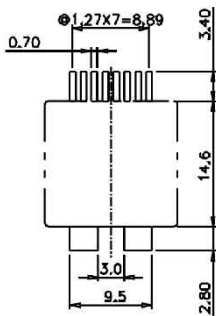
Dimensions



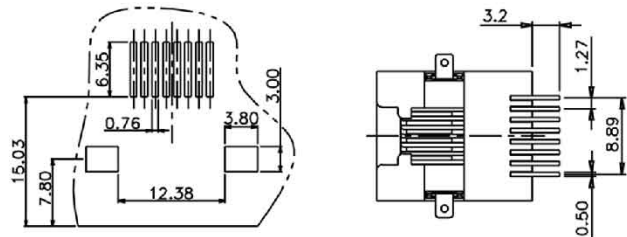
Dimensions



PC Board Layout



PC Board Layout



Ordering Information

A	J	S	0	7	A	8	8	1	3
Type	Style	Positions	Contacts	Ports	Plating	3=30u"	4=50u"		

Ports	Order No.
1	AJS07A 8813

Standard color: black

Ordering Information

A	J	S	0	8	A	8	8	1	3
Type	Style	Positions	Contacts	Ports	Plating	3=30u"	4=50u"		

Ports	Order No.
1	AJS08A 8813

Standard color: black