

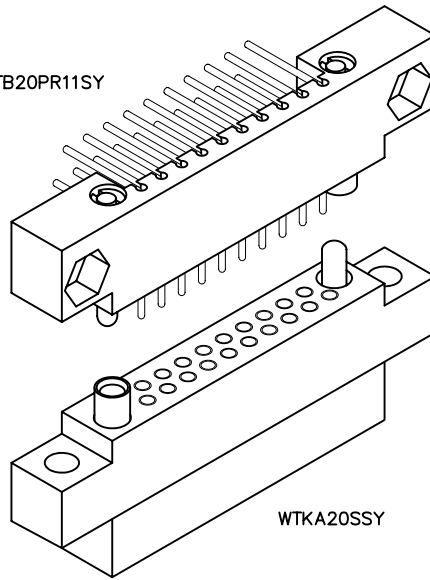
2 · ROW PC Card to Chassis

.100"

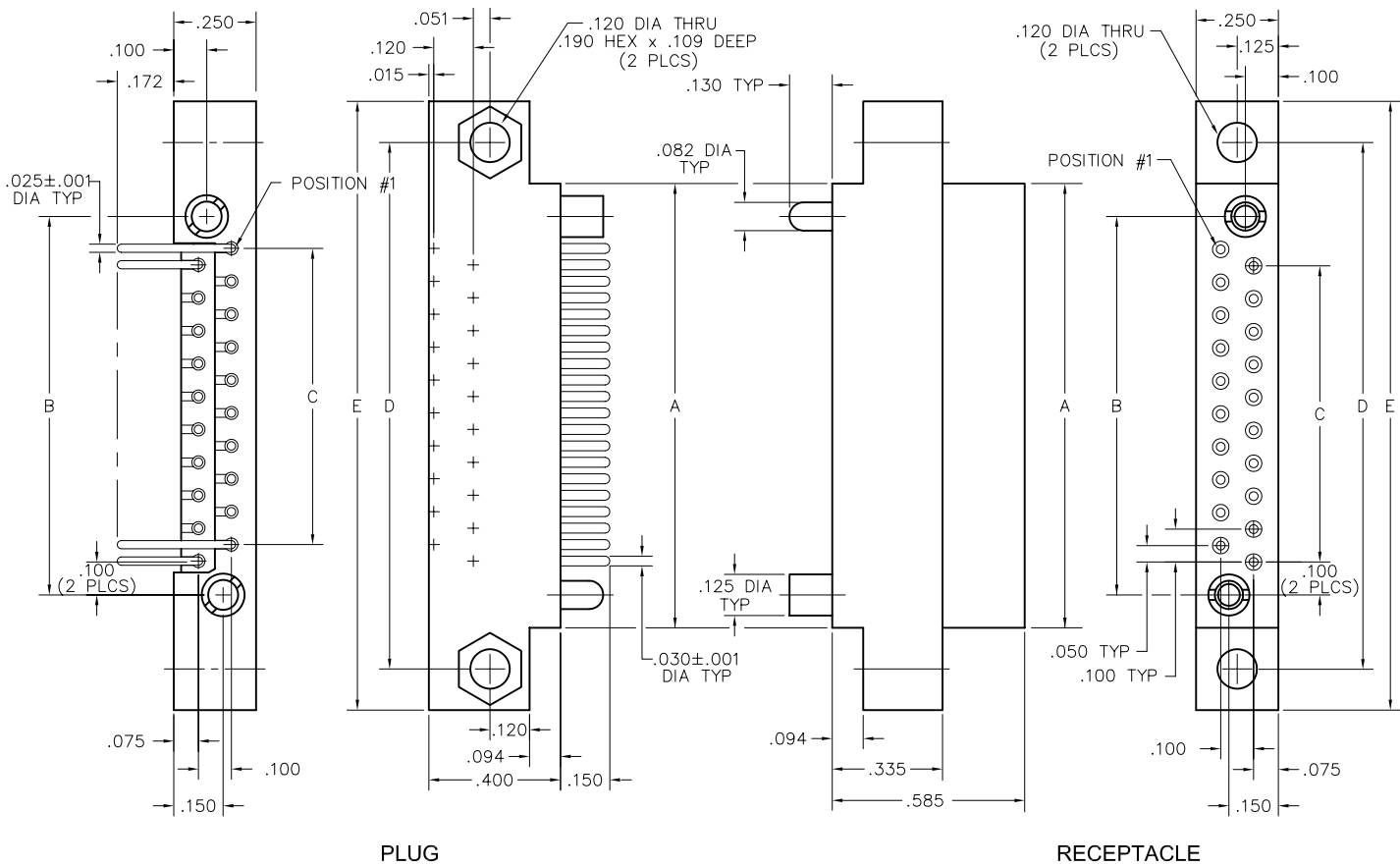
WTB - WTKA

10 thru 70 Contacts

WTB20PR11SY



WTKA20SSY



DIMENSIONS											
SIZE	A	B	C	D	E	SIZE	A	B	C	D	E
10	.850	.650	.400	1.100	1.350	44	2.550	2.350	2.100	2.800	3.050
14	1.050	.850	.600	1.300	1.550	50	2.850	2.650	2.400	3.100	3.350
20	1.350	1.150	.900	1.600	1.850	54	3.050	2.850	2.600	3.300	3.550
24	1.550	1.350	1.100	1.800	2.050	56	3.150	2.950	2.700	3.400	3.650
26	1.650	1.450	1.200	1.900	2.150	60	3.350	3.150	2.900	3.600	3.850
30	1.850	1.650	1.400	2.100	2.350	66	3.650	3.450	3.200	3.900	4.150
36	2.150	1.950	1.700	2.400	2.650	70	3.850	3.650	3.400	4.100	4.350
40	2.350	2.150	1.900	2.600	2.850						

PLUG: WTB 20 PR11 SY
 RECEPTACLE: WTKA 20 S SY
 XXXX XX XXXX XX

PLUG

RECEPTACLE

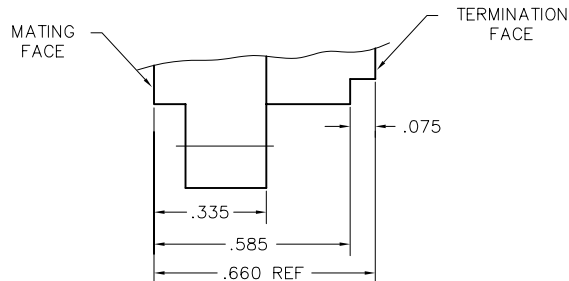
SERIES	
WTB Plug, right angle, with mounting ears	WTKA Receptacle, straight, crimp removable, with mounting ears
<ul style="list-style-type: none"> WTKA and WTDXA connectors will mate with WTA, WTAV, WTB, WTBV connectors. "A" means contacts are included. 	

SIZE	
XX Number of contacts (10, 14, 20, 24, 26, 30, 36, 40, 44, 50, 54, 56, 60, 66, or 70)	XX Number of contacts (10, 14, 20, 24, 26, 30, 36, 40, 44, 50, 54, 56, 60, 66, or 70)

CONTACTS	
<ul style="list-style-type: none"> The use of gaskets is not recommended with crimp socket contacts. WTKA** includes full compliment of WTK2222 (Socket or Pin) crimp removable contacts packaged with connectors. See "Contacts" in Accessories section to order separately. When using crimp contacts with 20 gage barrel, barrel must be cut off prior to removing contact from connector body. 	
<p>TYPE CONTACTS/TERMINATIONS:</p> <p>PR7 Pin, right angle, dip solder, .109" x .025" dia</p> <p>PR9 Pin, right angle, dip solder, .140" x .025" dia</p> <p>PR11 Pin, right angle, dip solder, .172" x .025" dia</p> <p>PRW40 Pin, right angle, wire wrap[®], .625"</p>	<p>TYPE CONTACTS/TERMINATIONS:</p> <p>S Socket, straight, crimp removable, 22 AWG</p> <p>SA Same as above</p> <p>P Pin, straight, crimp removable, 22 AWG</p>

HARDWARE	
SY Guide set	SY Guide set
SY-# Guide set, polarized	SY-# Guide set, polarized
J Fixed jackset	J Fixed jackset
JT Turning jackset, .435"	JT Turning jackset, .500"
JTA Turning jackset, .135"	JTA Turning jackset, .200"
JTB Hex turning jackset, .135"	JTB Hex turning jackset, .200"
JTC Hex turning jackset, .435"	JTC Hex turning jackset, .500"
JTL Turning jackset, long, .635"	JTL Turning jackset, long, .700"

OPTIONS	
<ul style="list-style-type: none"> Option Codes: Add to the end of the part number. Example: WTKA10SSY-C45. Call factory for additional codes. 	
-443	Polarizing pin installed in contact position noted by dash number. See "Polarization" in Accessories section. Receptacle connector only.
-444	Contact position noted by dash number is left open (to mate with -443).
-478	Drill mating side hole diameter designated by dash number.
-515	Polarizing pin installed in contact position noted by dash number. See "Polarization" in Accessories section. Receptacle connector only.
-548	Bond #4-40 small pattern nut into mounting holes (for right angle plug connectors only).
-A53	Socket, straight, crimp removable, 20 AWG
-C45	Additional .075" material at termination face for strain relief of crimped wires (22 AWG only). See Detail A below.
-F68	Combine -C45 and -515 special codes.



DETAIL A