

30 Amp Power Relay

PC730



FEATURES

- 1/4 inch male QC terminals
- Up to 30 amp switching capacity
- Up to 1 1/2 horsepower rating
- Smallest 30 amp 2 pole relay
- Convenient flanged case or PC mounting
- 2A or 2C contact configuration
- RoHS compliant



UL/CUR RATINGS

Load Type	Voltage	All Contacts
General Purpose	250 VAC	30 A
	277 VAC	20 A
	28 VDC	20 A
Resistive	250 VAC	30 A
	277 VAC	20 A
	120 VAC	30 A
Motor	240 VAC	1 1/2 HP
	120 VAC	1 HP

CONTACT DATA

Material		AgCdO (Silver Cadmium Oxide)
Initial Contact Resistance		50 milliohms max @ 1A, 6VDC
Service Life	Mechanical	1 X 10 ⁷ Operations
	Electrical	1 X 10 ⁵ Operations

CHARACTERISTICS

Operate Time	15 ms. Max.
Release Time	10 ms. Max.
Insulation Resistance	500 megohms min, at 500VDC, 50%RH
Dielectric Strength	2500 Vrms, 1 min. between coil and contacts 1500 Vrms, 1 min. between open contacts 2500 Vrms, 1 min. between contact poles
Shock Resistance	10 g, 11ms, functional; 100 g, destructive
Vibration Resistance	DA 2 mm, 10-50 Hz
Power Consumption	DC coil 1.8 W, AC coil 4 VA
Ambient Temperature Range	-40 to 70 C, -40 to 130 C storage
Weight	70 grams approx.

ORDERING INFORMATION

Example:	PC730	-2C	-C3	-120 A
Model				
Contact Form	2A, or 2C			
Mounting Style	C1 : Side Flange, C3: Top Flange, P: PC Terminals			
Coil Voltage	XXD: 6 thru 48 VDC or XXX A: 6 thru 277 VAC			

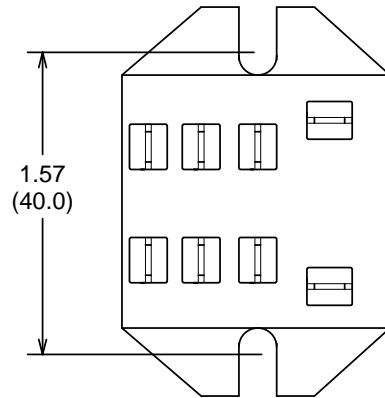
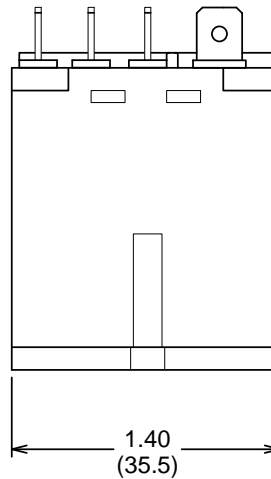
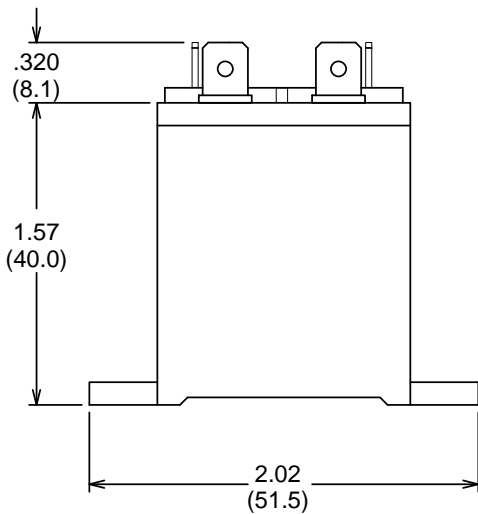
COIL DATA

Voltage Type	Coil Voltage	Resistance ohms \pm 10%	Coil Power	Must Operate Voltage Max.	Must Release Voltage Min.
DC	6	20	1.8 W	4.5	0.6
	9	45		6.75	0.9
	12	80		9	1.2
	18	180		13.5	1.8
	24	320		18	2.4
	48	1280		36	4.8
AC	6	3.15	4 VA	5.1	1.8
	12	12.6		10.2	3.6
	24	50.4		20.4	7.2
	48	201		40.8	14.4
	120	1260		102	36
	220	4235		187	66
	240	5040		204	72
	277	6712		236	83

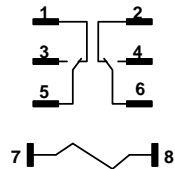
Note: Custom coil voltages within the ranges shown are available on special order.

Dimensions in Inches (Millimeters)

Top Flange Case



Wiring Diagram

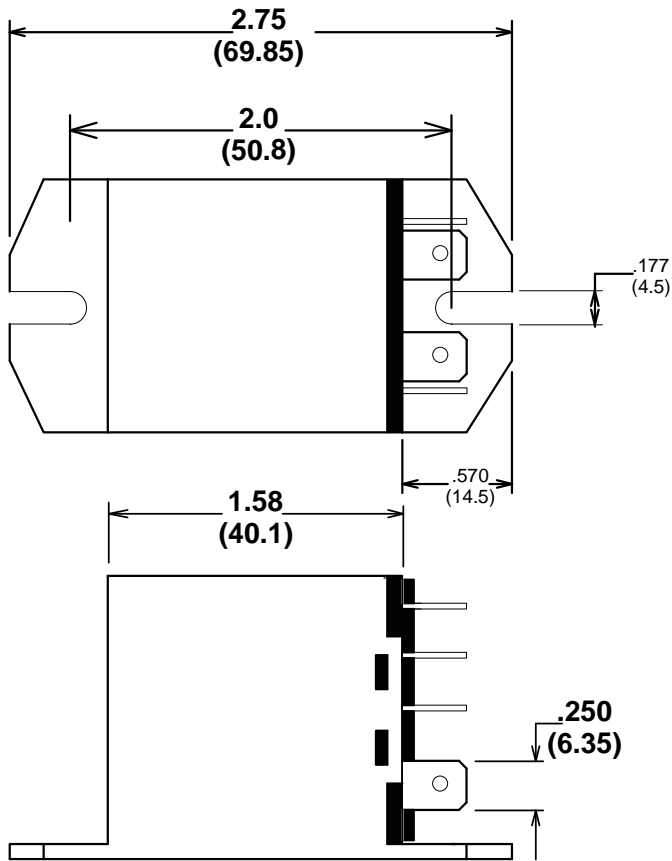


Tolerances \pm .010 unless otherwise noted

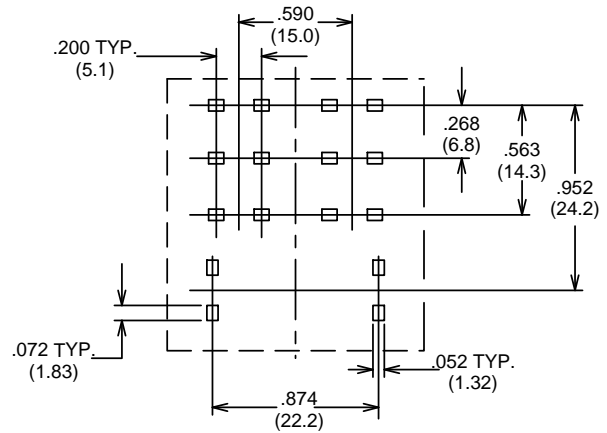
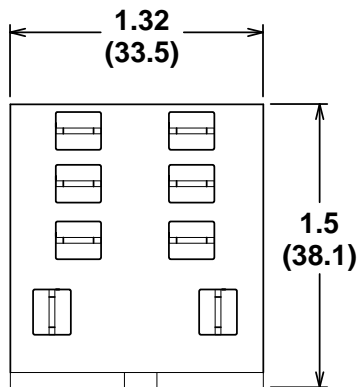
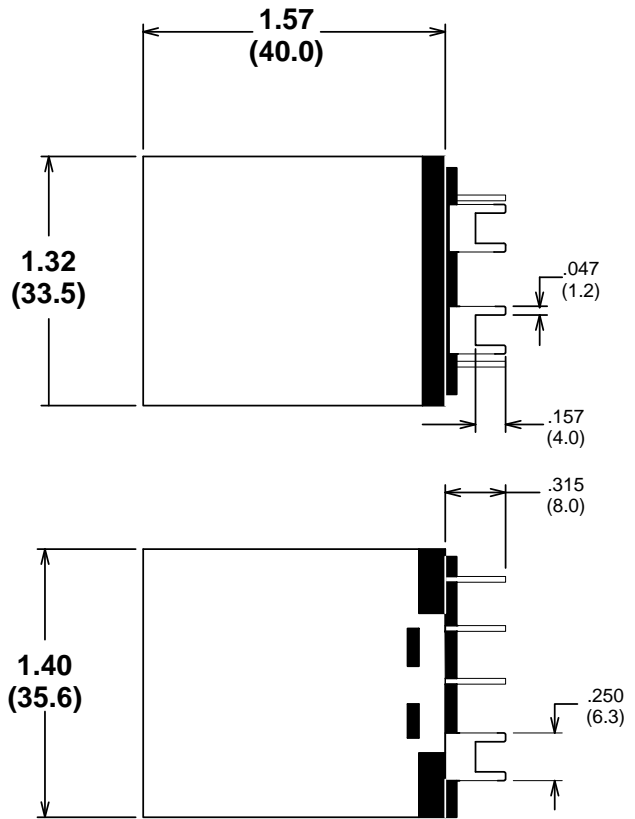


3220 Commander Drive, Suite 102, Carrollton, Texas 75006
 Sales: (888)997-3933 Fax: (818) 342-5296 email: sales@pickercomponents.com URL: pickercomponents.com

C1 Side Flange Case



Printed Circuit Board Mounting



Rectangular .052 by .072 holes are recommended.
.076 (1.93) Diameter round holes on the above center to center spacing may be used.

Tolerances \pm .010 unless otherwise noted



3220 Commander Drive, Suite 102, Carrollton, Texas 75006
Sales: Call Toll Free (888) 997-3933 Fax (818) 342-5296 email: pickerwest@sbcglobal.net URL Picker Components