

INTRODUCTION:

Adam Tech PH Series Pin Headers are specifically designed for fast, simple one-step installation of multiple posts to PC boards, backplanes and motherboards. They mate with a wide range of our board and wire mounted products to form a variety of modular connections. Their precision .025" sq. posted pins provide smooth, flat contact surfaces with tapered lead ends that will not damage plated through holes or the contacts of mated connectors. This popular pin size and grid spacing allows industry compatibility with other board and cable mounted receptacles. Our single, dual and three row offerings are available with either vertical or angled leads, a variety of contact platings and thru-hole or surface mount options.

FEATURES:

- Single, double and triple row types
- Thru-hole and surface mount leads
- Breakaway style insulator for added versatility
- Choice of gold, tin or selective gold plating
- Stackable side-to-side and end-to-end on .100" centerlines
- Two standard mating lengths .235" and .318"
- Any custom length available up to total length of 1.126"

MATING OPTIONS:

Mates with Adam Tech Series RS, FCS, MTA, MTE, MTF, MS and all other industry compatible connectors that accept .025" sq. posts on .100" centerlines

SPECIFICATIONS:

Material:

Insulator: Polybutylene Terephthalate (PBT), glass reinforced thermoplastic, rated UL 94V-0

Contacts: Phosphor Bronze

Plating:

U = 5 µin gold nom. (optional 30 µin) to MIL-G-45204, Type II, Grade C over 50 µin nickel underplate to QQ-N-290, Class 2, Grade C

SG = 5 µin gold nom. (optional 30 µin) on mating length to MIL-G-45204, Type II, Grade C, 100 µin tin to MIL-P-81728 on tails

T = 100 µin bright tin-lead plate to MIL-P-81728, Type 1 with 50 µin copper underplate to MIL-C-14550

Electrical:

Operation voltage: 250 VAC max

Current rating: 5 Amps max

Contact resistance: 20 mΩ max

Insulation resistance: 5000 MΩ min @ 1000 VDC between adjacent contacts (75° F and 50% R.H.)

Dielectric withstanding voltage: 1000 VAC min rms (sea level)

Mechanical: Pin push force: 4 lbs. min

Soldering processes: Wave, Vapor-phase or IR Reflow

Mating durability: 1000 cycles min

Operating temperature: -65°C to +125°C

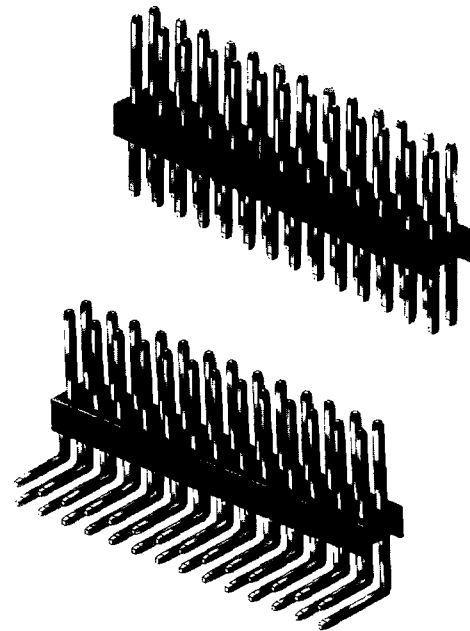
PACKAGING:

Anti-static plastic bags

APPROVALS AND CERTIFICATIONS:

Recognized under the component program of Underwriters Laboratories, Inc. No. E167232

Certified by Canadian Standards Association No. LR75112



ORDERING INFORMATION



SERIES INDICATOR

PH1 = Single Row, Straight

PH1RA = Single Row, Right Angle, High Profile

PH1RB = Single Row, Right Angle, Low Profile

PH2 = Dual Row, Straight

PH2RA = Dual Row, Right Angle

PH3 = Three Row, Straight

PH3RA = Three Row, Right Angle

MATING/TAIL LENGTH

A = Mating Length ("C" dim.) = .235" Solder Tail ("D" dim.) = .120"

B = Mating Length ("C" dim.) = .318" Solder Tail Length ("D" dim.) = .120"

POSITIONS

PH1: 1 thru 40

PH2: 2 thru 80

PH3: 3 thru 120

PLATING

U = 5 µin gold overall

V = 15 µin gold on mating area 100 µin tin on solder tail

W = 30 µin gold on mating area 100 µin tin on solder tail

T = 100 µin tin overall

SG = 5 µin gold on mating area 100 µin tin lead on solder tail



OPTIONS:

Add as suffix to basic part number

SMT = Surface mount leads

HT = Hi-Temp insulator for IR reflow or Vapor Phase soldering processes

PH1 - SINGLE ROW

A = .100 [2.54] X No. of Positions
B = .100 [2.54] X No. of Spaces

PH2 - DUAL ROW

A = .100 [2.54] X No. of Positions Per Row
B = .100 [2.54] X No. of Spaces

PH3 - THREE ROW

A = .100 [2.54] X No. of Positions Per Row
B = .100 [2.54] X No. of Spaces

	<p>PC Board Layout</p>
	<p>PC Board Layout</p>
	<p>PC Board Layout</p>

PH1RB - SINGLE ROW

A = .100 [2.54] X No. of Positions
B = .100 [2.54] X No. of Spaces

PH2RA - DUAL ROW

A = .100 [2.54] X No. of Positions Per Row
B = .100 [2.54] X No. of Spaces

PH3RA - THREE ROW

PH1-SMT

A = .100" [2.54] x No. of Positions
B = .100" [2.54] x No. of Spaces

PC Board Layout

PH2-SMT

A = .100" [2.54] x No. of Positions Per Row
B = .100" [2.54] x No. of Spaces

PC Board Layout

PH1RB-SMT

A = .100" [2.54] x No. of Positions
B = .100" [2.54] x No. of Spaces

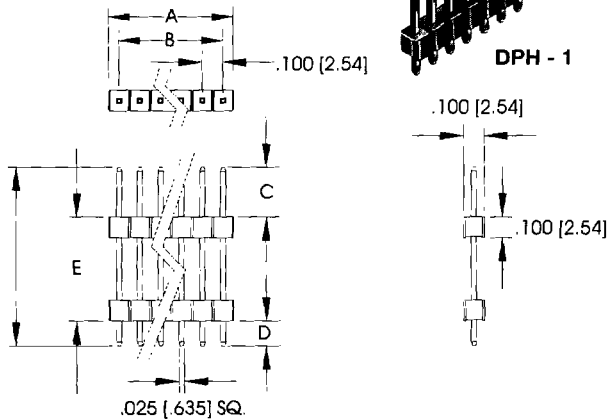
PC Board Layout

PH2R-SMT

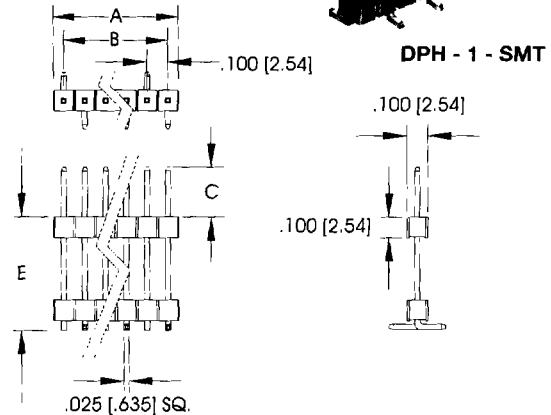
A = .100" [2.54] x No. of Positions Per Row
B = .100" [2.54] x No. of Spaces

PC Board Layout

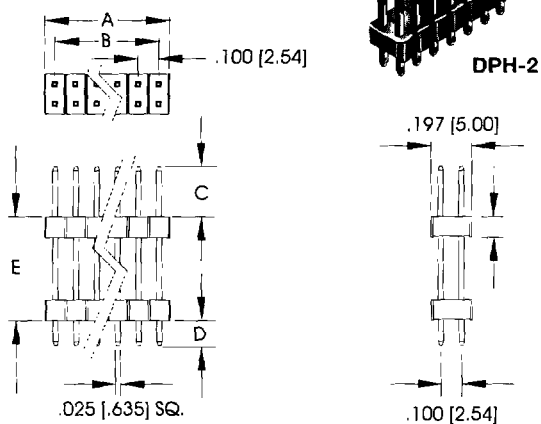
A = .100 [2.54] X No. of Positions
B = .100 [2.54] X No. of Spaces
C = Customer Specified
D = Customer Specified
E = Customer Specified



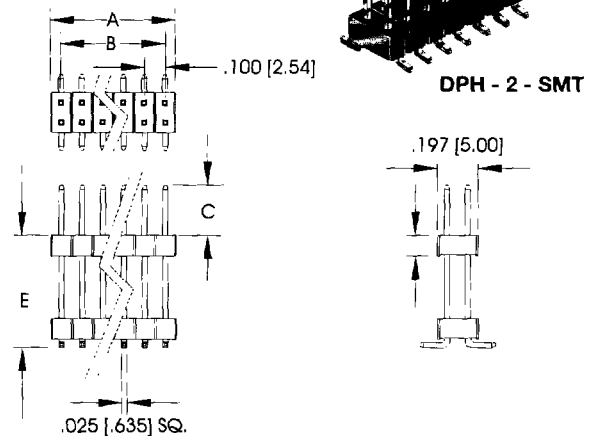
A = .100 [2.54] X No. of Positions Per Row
B = .100 [2.54] X No. of Spaces
C = Customer Specified
D = SMT
E = Customer Specified



A = .100 [2.54] X No. of Positions Per Row
B = .100 [2.54] X No. of Spaces
C = Customer Specified
D = Customer Specified
E = Customer Specified



A = .100 [2.54] X No. of Positions Per Row
B = .100 [2.54] X No. of Spaces
C = Customer Specified
D = SMT
E = Customer Specified



ORDERING INFORMATION DUAL INSULATOR HEADERS

DPH	1	40	SG	.xxx" / .xxx" / .xxx" "C" DIM. "D" DIM. "E" DIM.
SERIES INDICATOR DPH = Dual Insulator Pin Header	NO. OF ROWS 1 = Single row 2 = Dual row	POSITIONS Single row: 2 thru 40 Dual row: 4 thru 80	PLATING SG = Selective gold plating in contact area tin-lead plating on solder tails	STACKING DIMENSIONS Specified In Inches As: "C" Dim./"D" Dim./"E" Dim. Replace "D" Dim. with "SMT" for Surface Mount Option