



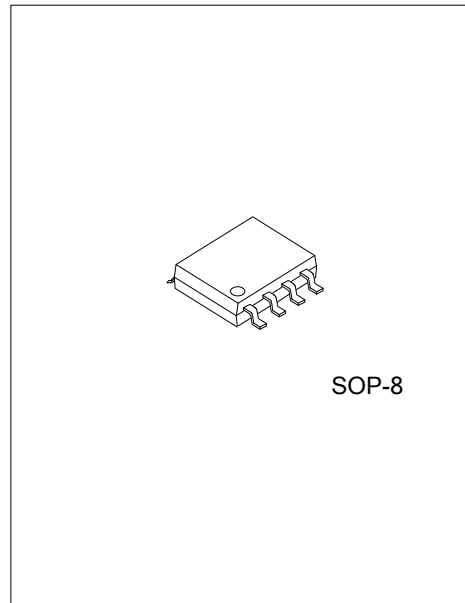
HIGH PRECISION CC/CV PRIMARY SIDE REGULATOR

DESCRIPTION

The UTC **UPSR100** is a primary control unit for switch mode charger and adapter applications. The controlled variable is transferred by an auxiliary winding from the secondary to the primary side. The device uses Pulse Frequency Modulation (PFM) method to build discontinuous conduction mode (DCM) flyback power supplies.

The UTC **UPSR100** operates in primary-side sensing and regulation. Opto-coupler and TL431 could be eliminated. It also eliminates the need of loop compensation circuitry while maintaining stability.

The UTC **UPSR100** achieves high precision CV/CC regulation and high power efficiency. It offers comprehensive protection coverage with auto-recovery features including Cycle-by-cycle current limiting, output over voltage protection, feedback loop open protection, short circuit protection, leading edge blanking, V_{CC} under voltage lockout, etc.



SOP-8

FEATURES

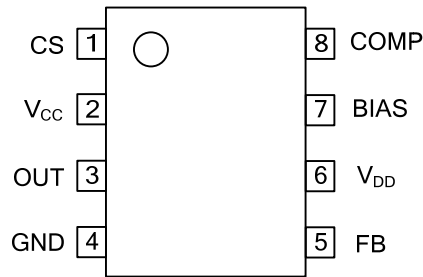
- * $\pm 5\%$ constant voltage regulation at universal AC input
- * High precision constant current regulation at universal AC input
- * Primary side control without TL431 and opto-coupler
- * Programmable CV and CC regulation
- * Eliminates control loop compensation circuitry
- * Flyback topology in DCM operation
- * Random frequency modulation to reduce system EMI
- * Driver BJT switch
- * Built-in leading edge blanking
- * Built-in primary winding inductance compensation
- * Open circuit protection
- * Over voltage protection
- * Short circuit protection

ORDERING INFORMATION

Ordering Number		Package	Packing
Lead Free	Halogen Free		
UPSR100L-S08-T	UPSR100G-S08-T	SOP-8	Tube
UPSR100L-S08-R	UPSR100G-S08-R	SOP-8	Tape Reel

<p>UPSR100L-S08-R</p> <ul style="list-style-type: none"> (1) Packing Type (2) Package Type (3) Halogen Free 	<ul style="list-style-type: none"> (1) T: Tube, R: Tape Reel (2) S08: SOP-8 (3) L: Lead Free, G: Halogen Free
--	--

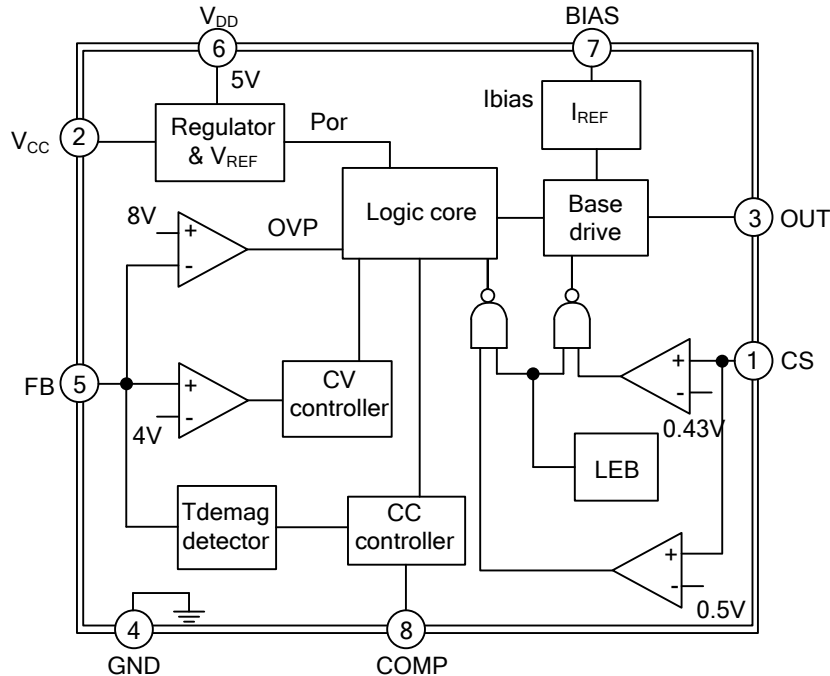
■ PIN CONFIGURATION



■ PIN DESCRIPTION

PIN NO.	PIN NAME	DESCRIPTION
1	CS	Current sense input.
2	V _{CC}	Power supply.
3	OUT	Base drive for power BJT.
4	GND	Ground.
5	FB	The voltage feedback from the auxiliary winding
6	V _{DD}	The 5V output of the internal voltage regulator
7	BIAS	This pin sets the bias current inside UTC UPSR100 with an external resistor to GND
8	COMP	This pin connects a bypass capacitor

■ BLOCK DIAGRAM



■ ABSOLUTE MAXIMUM RATING

PARAMETER	SYMBOL	RATINGS	UNIT
Supply Voltage	V_{CC}	-0.3~30	V
Voltage at CS, BIAS, OUT, V_{DD} , COMP to GND		-0.3~7	V
FB Input (Pin 5)		-40~10	V
ESD (Machine Model)		200	V
Output Current at OUT		Internally limited	A
Power Dissipation at $T_A=25^{\circ}\text{C}$	P_D	0.657	W
Operating Junction Temperature	T_J	150	$^{\circ}\text{C}$
Storage Temperature	T_{STG}	-65~150	$^{\circ}\text{C}$

Note: Absolute maximum ratings are those values beyond which the device could be permanently damaged.

Absolute maximum ratings are stress ratings only and functional device operation is not implied.

■ THERMAL DATA

DESCRIPTION	SYMBOL	RATINGS	UNIT
Junction to Ambient	θ_{JA}	190	$^{\circ}\text{C/W}$

■ ELECTRICAL CHARACTERISTICS ($V_{CC}=15\text{V}$, $T_A=25^{\circ}\text{C}$, unless otherwise specified.)

PARAMETER	SYMBOL	TEST CONDITIONS	MIN	TYP	MAX	UNIT
UVLO SECTION						
Turn-on Threshold Voltage	$V_{TH(ON)}$		17.5	19	20.5	V
Turn-off Threshold Voltage	$V_{TH(OFF)}$		6.5	7.5	8.5	V
REFERENCE VOLTAGE SECTION						
BIAS Pin Voltage	V_{BIAS}	$R_{BIAS}=200\text{k}\Omega$, Before Turn on	1.15	1.20	1.25	V
VDD Pin Voltage	V_{DD}		4.75	5.0	5.25	V
STANDBY CURRENT SECTION						
Start-up Current	I_{ST}	$R_{BIAS}=200\text{k}\Omega$, Before Turn on		90	110	μA
Operating Current	I_{OP}	$R_{BIAS}=200\text{k}\Omega$		500	700	μA
DRIVE OUTPUT SECTION						
OUT Maximum Current	$I_{OUT(SINK)}$	I_{OUT} $R_{BIAS}=200\text{k}\Omega, V_{OUT}<0.2\text{V}$	50			mA
	$I_{OUT(SOURCE)}$		30	40		mA
CURRENT SENSE SECTION						
Current Sense Threshold	V_{CS}		505	520	545	mV
Pre-Current Sense	$V_{CS(PRE)}$		455	480	505	mV
Leading Edge Blanking				460		ns
FEEDBACK INPUT SECTION						
Feedback Pin Input Leakage Current	I_{FB}	$V_{FB}=4\text{V}$	11.0	13.5	15.0	μA
Feedback Threshold	V_{FB}		3.90	4.00	4.10	V
Enable Turn-on Voltage	$V_{FB(EN)}$		-1.2	-1.0	-0.9	V
COMP THRESHOLD VOLTAGE SECTION						
Turn-on Threshold Voltage	V_{COMP}		3.28	3.4	3.58	V
PROTECTION SECTION						
Over Voltage Protection	$V_{FB(OVP)}$		7	8	9	V

■ OPERATION DESCRIPTION

The UTC **UPSR100** is a primary control unit for switch mode charger and adapter applications. It operates in primary-side sensing and regulation. Opto-coupler and TL431 could be eliminated. Proprietary built-in CV and CC control can achieve high precision CV/CC performance. It uses Pulse Frequency Modulation (PFM) method to build discontinuous conduction mode (DCM) flyback power supplies.

Startup control

The voltage regulator provides the internal power supply V_{DD} . For V_{CC} and V_{DD} external capacitors are required. The current biasing of UTC **UPSR100** is adjustable by an external resistor. Internal time constants, thresholds and the output current depend from the value of this resistor. The startup circuit activates the IC after startup and deactivates the IC in case of UVLO.

Operating Current

The Operating current of UTC **UPSR100** is as low as 500 μ A. Good efficiency and very low standby power can be achieved.

Constant Voltage Operation

The output voltage is defined by the transmission ratio between the secondary and auxiliary winding. The UTC **UPSR100** captures the auxiliary winding feedback voltage at FB pin and operates in constant-voltage (CV) mode to regulate the output voltage. The auxiliary voltage reflects the output voltage is given by:

$$V_{AUX} = \frac{N_A}{N_S} \times (V_O + \Delta V) \tag{1}$$

Where ΔV indicates the drop voltage of the output diode.

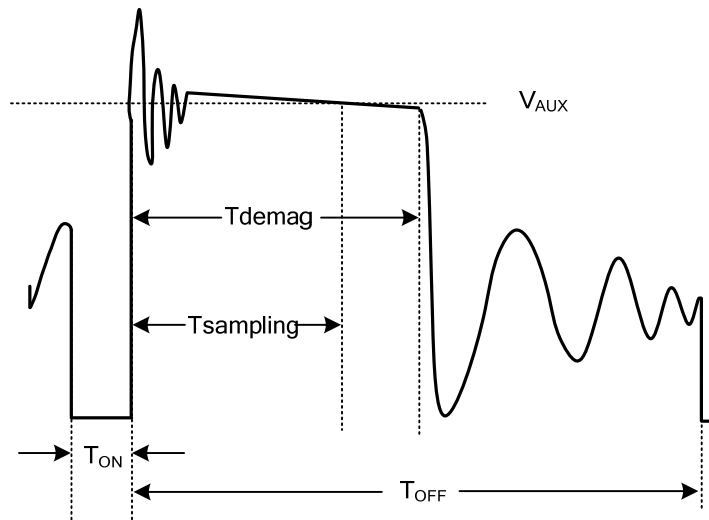


Figure 2. Auxiliary voltage waveform

Via a resistor divider connected between the auxiliary winding and FB, the V_{AUX} is sampled at the $T_{sampling}$ end and it is hold until the next sampling. The sampled voltage is compared with 4V reference voltage and the error is amplified. The error amplifier output reflects the load condition and controls the T_{off} time to regulate the output voltage, thus constant output voltage can be achieved.

Constant Current Operation

When the sampled voltage is below 4V reference voltage and the error amplifier output reaches its maximum, thus UTC **UPSR100** operates in constant-current (CC) mode. The CC point and maximum output power can be externally adjusted by external current sense resistor R_{cs} . The larger R_{cs} , the smaller CC point is, and the smaller output power becomes.

■ OPERATION DESCRIPTION

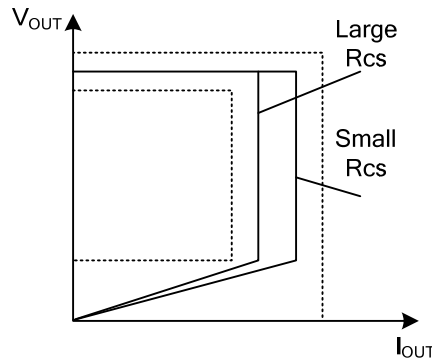


Figure 3. Adjustable output power by changing Rcs

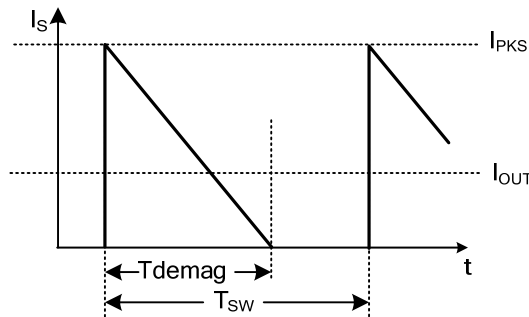


Figure 4. Secondary current waveform

In CC operation, the CC loop control function of UTC **UPSR100** will keep a fixed proportion between secondary inductance de-magnetization time (T_{demag}) and switching cycle time (T_{sw}). The fixed proportion is

$$\frac{T_{demag}}{T_{sw}} = \frac{4}{7} \tag{2}$$

Thus the output current is given by:

$$I_{out} = \frac{1}{2} \times \frac{N_p}{N_s} \times I_{pk} \times \frac{T_{demag}}{T_{sw}} = \frac{2}{7} \times \frac{N_p}{N_s} \times I_{pk} \tag{3}$$

Current Sensing and Leading Edge Blanking

Cycle-by-cycle current limiting is offered in UTC **UPSR100**. The switch current is detected by a sense resistor into the CS pin. When the power switch is turned on, a turn-on spike will occur on this resistor. A 500ns leading-edge blanking is built in to avoid false-termination of the switching pulse so that the external RC filtering is no longer needed.

Drive BJT

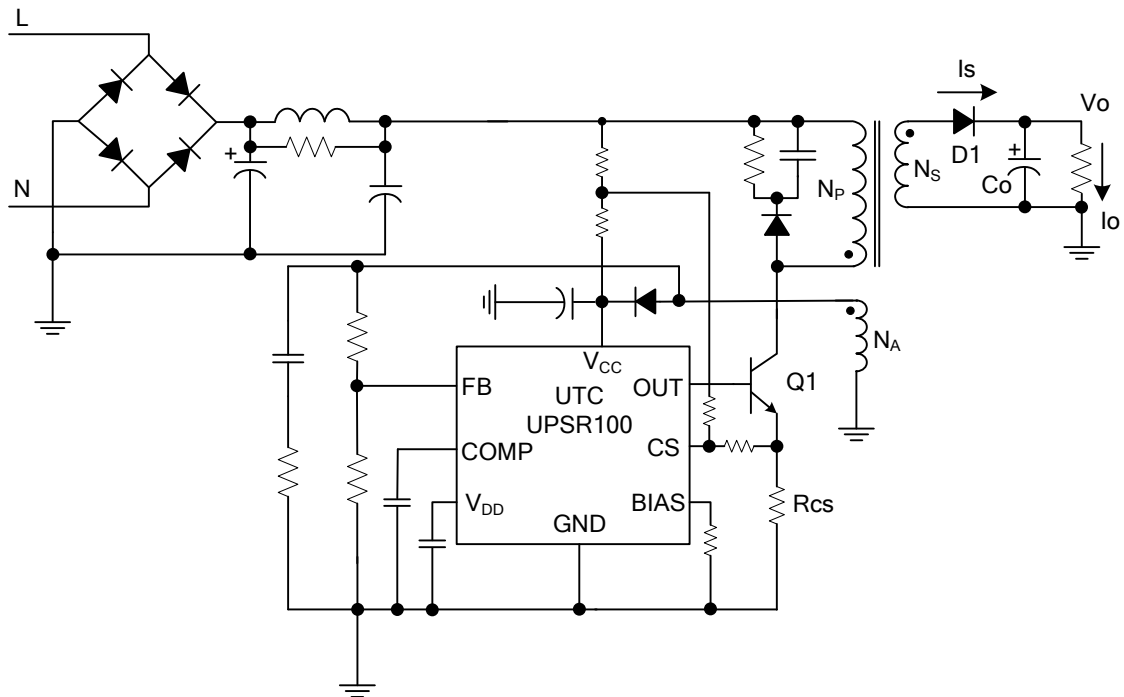
The driver is a push pull stage with the supply voltage V_{CC} . It provides the driving current for the external power bipolar transistor. The output signal is current-limited to $I_{OUT(SOURCE)}$.

Protection Control

Good power supply system reliability is achieved with its comprehensive protection features including output over-voltage protection, feedback loop open protection, Cycle-by-cycle current limiting, short circuit protection, leading edge blanking and UVLO, etc.

V_{CC} is supplied by transformer auxiliary winding output. The output of UTC **UPSR100** is shutdown when V_{CC} drops below $V_{TH(OFF)}$ and the power converter enters power on start-up sequence thereafter.

■ TYPICAL APPLICATION CIRCUIT



A typical flyback application by UTC UPSR100

UTC assumes no responsibility for equipment failures that result from using products at values that exceed, even momentarily, rated values (such as maximum ratings, operating condition ranges, or other parameters) listed in products specifications of any and all UTC products described or contained herein. UTC products are not designed for use in life support appliances, devices or systems where malfunction of these products can be reasonably expected to result in personal injury. Reproduction in whole or in part is prohibited without the prior written consent of the copyright owner. The information presented in this document does not form part of any quotation or contract, is believed to be accurate and reliable and may be changed without notice.