

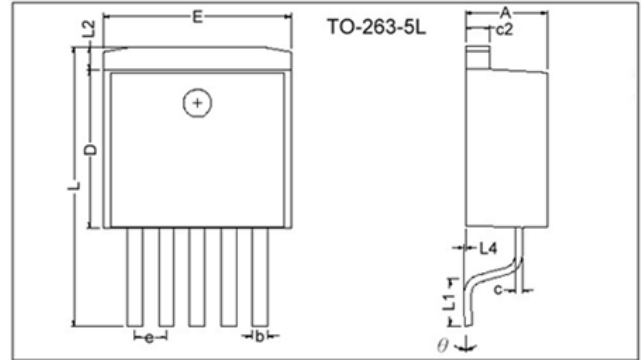
RoHS Compliant Product

Description

The S5U1118 is a low dropout positive fixed-mode regulator with min. of 1A output current capability. The product is specifically designed to provide well-regulated supply for low voltage IC applications such as high-speed bus termination and low current 3.3V logic supply. S5U1118 is also well suited for other applications such as VGA cards. The product is guaranteed to have < 1.4V dropout at full load current making it ideal to provide well regulated outputs 1.5V to 12V with up to 18V input supply. The product offers a TTL-Logic compatible enable pin.

Features

- * 1.4V Max. Dropout Voltage At Full Load Current
- * Fixed Output Voltage 1.5V, 1.8V, 2.5V, 3.3V, 5.0V, 9.0V, 12V
- * Output Current Limiting
- * Good Noise Rejection
- * Fast Transient Response
- * Built-in Thermal Shutdown
- * Enable Function

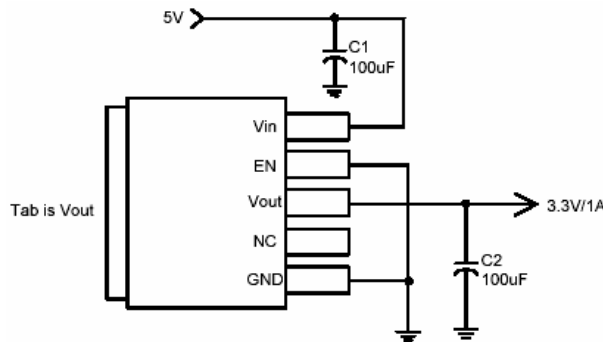


| REF. | Millimeter | | REF. | Millimeter | |
|------|------------|------|------|------------|------|
| | Min. | Max. | | Min. | Max. |
| A | 4.40 | 4.80 | c2 | 1.25 | 1.45 |
| b | 0.66 | 0.91 | L2 | 1.27 REF. | |
| L4 | 0.00 | 0.30 | D | 8.6 | 9.0 |
| c | 0.36 | 0.5 | e | 1.70 REF. | |
| L1 | 2.29 | 2.79 | L | 14.6 | 15.8 |
| E | 9.80 | 10.4 | θ | 0° | 8° |

Applications

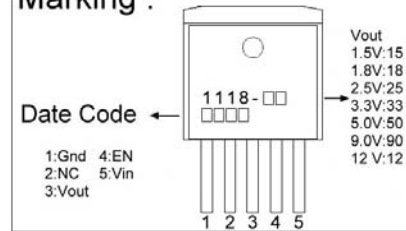
- * CDROM
- * PC Peripheral
- * Communication

Typical Circuit



(5V/3.3V fixed output)

Marking :



Pin Descriptions

| Name | Description |
|------------------|---|
| GND | Ground |
| V _{OUT} | The output pin of regulator. A min. of 10uF capacitor must be connected from this pin to ground to insure stability. |
| V _{IN} | The input pin of regulator. Typically a large storage capacitor is connected from this pin to ground to insure that the input voltage does not sag below the min. dropout voltage during the load transient response. This pin must always be 1.3V higher than V _{OUT} in order for the device to regulate properly. |
| EN | This input pin of regulator. TTL/CMOS compatible input Logic high= disable output, Logic low or open=output enable. (internal pull-down resistor~100K) |
| NC | No connection |

Absolute Maximum Ratings

| Parameter | Symbol | Ratings | Unit |
|--------------------------------------|-----------------|--------------------|------|
| DC Supply Voltage | V _{IN} | -0.3 to 18 | V |
| Enable Pin Voltage | V _{EN} | 7 | V |
| Power Dissipation | P _D | Internally Limited | |
| Storage Temperature Range | T _{ST} | -65~+150 | °C |
| Operating Junction Temperature Range | T _{OP} | 0~+150 | °C |

Electrical Characteristics (Under operating Conditions)

| Parameter | Conditions | MIN | TYP | MAX | UNIT |
|--|--|-------|-------|-------|------|
| Output Voltage | S5U1118-15 I _o =10mA, T _J =25 °C, 3.0V ≤ V _{IN} ≤ 15V | 1.47 | 1.500 | 1.530 | V |
| | S5U1118-18 I _o =10mA, T _J =25 °C, 3.3V ≤ V _{IN} ≤ 15V | 1.764 | 1.800 | 1.836 | V |
| | S5U1118-25 I _o =10mA, T _J =25 °C, 4.0V ≤ V _{IN} ≤ 15V | 2.450 | 2.500 | 2.550 | V |
| | S5U1118-33 I _o =10mA, T _J =25 °C, 4.8V ≤ V _{IN} ≤ 15V | 3.235 | 3.300 | 3.365 | V |
| | S5U1118-50 I _o =10mA, T _J =25 °C, 6.5V ≤ V _{IN} ≤ 15V | 4.900 | 5.000 | 5.100 | V |
| | S5U1118-90 I _o =10mA, T _J =25 °C, 10.5V ≤ V _{IN} ≤ 18 | 8.820 | 9.000 | 9.180 | V |
| | S5U1118-12 I _o =10mA, T _J =25 °C, 13.5V ≤ V _{IN} ≤ 18V | 11.76 | 12.00 | 12.24 | V |
| Line Regulator | S5U1118-XX I _o =10mA, T _J =25 °C, V _{OUT} +1.5 < V _{IN} < 18V | - | - | 0.2 | % |
| Load Regulation | S5U1118-15 V _{IN} =3.0V, 0mA < I _o < 1A, T _J =25 °C, (Note 1, 2) | - | 12 | 15 | mV |
| | S5U1118-18 V _{IN} =3.3V, 0mA < I _o < 1A, T _J =25 °C, (Note 1, 2) | - | 15 | 18 | mV |
| | S5U1118-25 V _{IN} =4.0V, 0mA < I _o < 1A, T _J =25 °C, (Note 1, 2) | - | 20 | 25 | mV |
| | S5U1118-33 V _{IN} =5.0V, 0mA < I _o < 1A, T _J =25 °C, (Note 1, 2) | - | 26 | 33 | mV |
| | S5U1118-50 V _{IN} =8.0V, 0mA < I _o < 1A, T _J =25 °C, (Note 1, 2) | - | 40 | 50 | mV |
| | S5U1118-90 V _{IN} =12.0V, 0mA < I _o < 1A, T _J =25 °C, (Note 1, 2) | - | 70 | 90 | mV |
| | S5U1118-12 V _{IN} =15.0V, 0mA < I _o < 1A, T _J =25 °C, (Note 1, 2) | - | 100 | 120 | % |
| Dropout Voltage (V _{IN} -V _{OUT}) | S5U1118-XX I _o =1A, ΔV _{OUT} =0.1 V _{OUT} | - | 1.3 | 1.4 | V |
| Current Limit | S5U1118-XX (V _{IN} -V _{OUT})=5V | 1.1 | - | - | A |
| Minimum Load Current | S5U1118-XX 0 °C ≤ T _J ≤ 125 °C | - | 5 | 10 | mA |
| Enable Input Voltage V _{EN} | Logic Low (ON) | - | - | 0.8 | V |
| | Logic High (OFF) | 1.6 | - | - | |
| Enable Input Current I _{EN} | V _{EN} =0.8V | - | - | 10 | μA |
| | V _{EN} =2.0V | - | - | 80 | |
| Thermal Regulation | T _A =25 °C, 30ms pulse | - | 0.008 | 0.04 | %/W |
| Ripple Rejection | F=120Hz, C _{OUT} =25μF, Tantalum, I _o =1A | | | | |
| | S5U1118-XX V _{IN} =V _{OUT} +3V | - | 60 | 70 | dB |
| Temperature Stability | I _o =10mA | - | 0.5 | - | % |
| θ _{JA} Thermal Resistance Junction-to-Ambient (No heat sink ;No air flow) | | - | 90 | - | °C/W |
| θ _{Jc} Thermal Resistance Junction-to-Case | Control Circuitry/Power Transistor | - | 3.5 | - | °C/W |

Note 1: See thermal regulation specifications for changes in output voltage due to heating effects. Line and load regulation are measured at a constant junction temperature by low duty cycle pulse testing. Load regulation is measured at the output lead=1/8" from the package.

Note 2: Line and load regulations are guaranteed up to the maximum power dissipation of 15W. Power dissipation is determined by the input/output differential and the output current. Guaranteed maximum power dissipation will not be available over the full input/output range

Note 3: Quiescent current is defined as the minimum output current required to maintain regulation. At 12V input/output differential the device is guaranteed to regulate if the output current is greater than 10mA.

Typical Performance Characteristics

