



S5812

DIGITAL AUDIO DATA TRANSFORMER

P/N:S5812 DATA SHEET

Feature



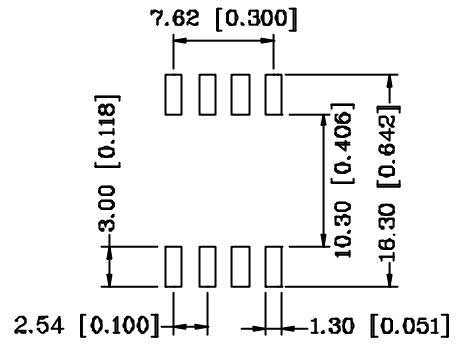
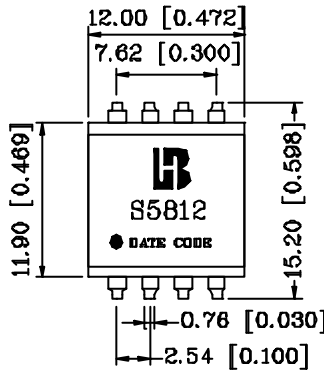
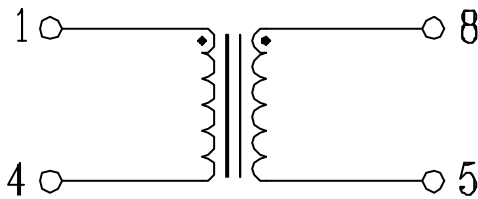
- For use with Crystal Semiconductor' s CS8401,CS8402 for ICs.
- Operating transmission rates : 1 to 7 Mbps.
- Return Loss (100 KHz to 10 MHz) : -22dB Min
- Operation temperature range: 0°C to +70°C.
- Storage temperature range: -25 to +125 .

Electrical Specifications @ 25°C

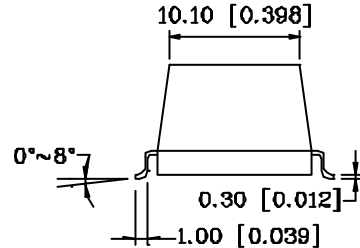
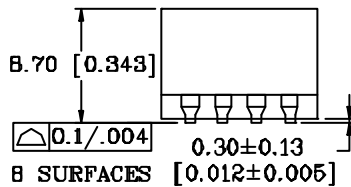
Part Number	Turns Ratio (±5%)	Primary OCL (mH) @ 100KHz/0.2V	ET (V-usec Max)	L.L (uH Max)	Bandwidth(dB Typ) @ 100KHz/55MHz	HI-POT (Vrms)
	Pin 1-4:8-5					
S5812	1:1	2.5±20%	20	0.5	3	2000

Schematic

Mechanical



SUGGESTED PAD LAYOUT



Units: mm[Inches] Tolerances: xx.x0±0.25[0.010] 0.xx±0.05[0.002]