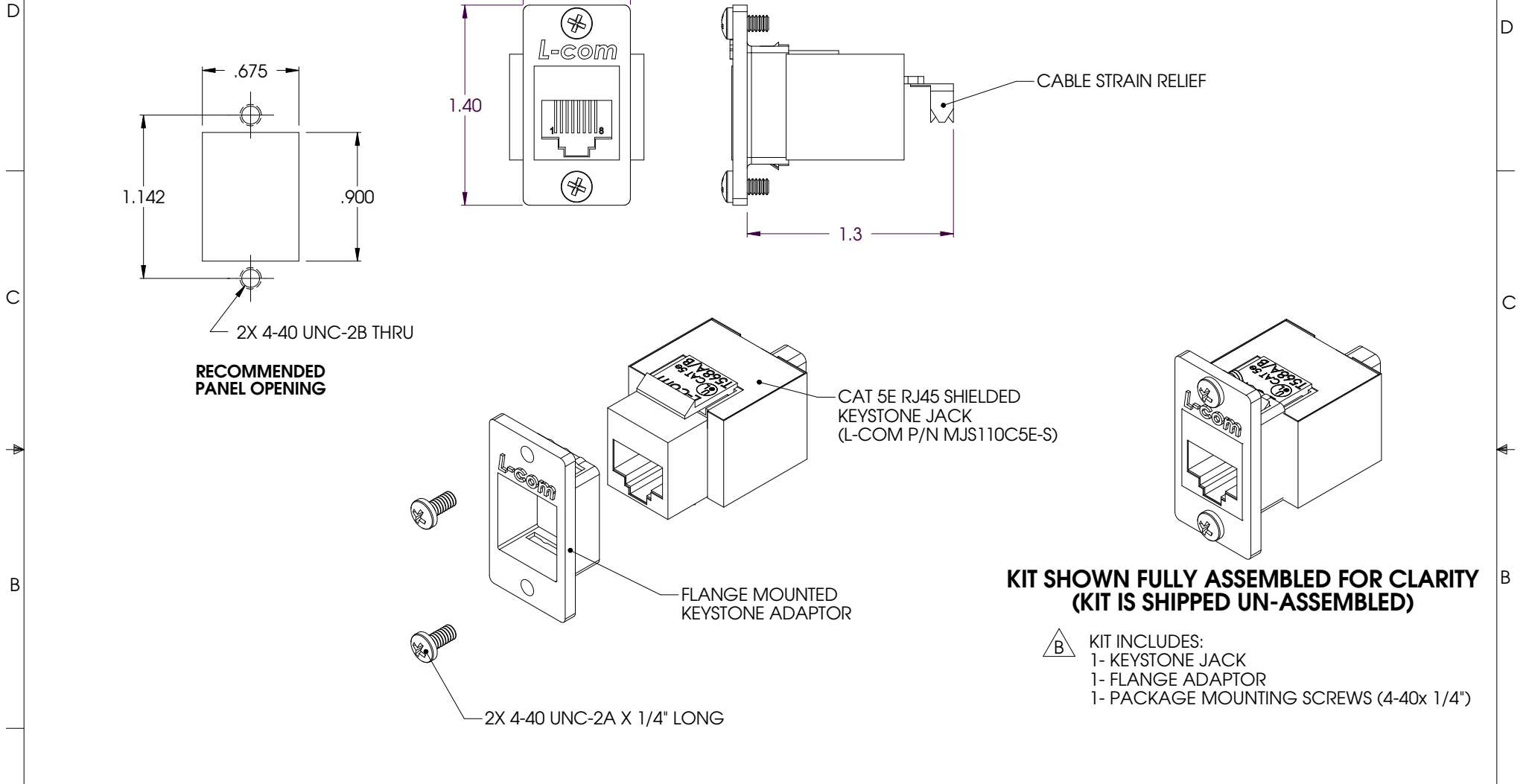


THE INFORMATION CONTAINED IN THIS DRAWING IS THE SOLE PROPERTY OF L-COM, INC. ANY REPRODUCTION IN PART OR WHOLE WITHOUT THE WRITTEN PERMISSION OF L-COM, INC. IS PROHIBITED.

REVISIONS			
REV	DESCRIPTION	DATE	APPROVED
A	INITIAL RELEASE	6/3/04	D. PARHAM
B	ECN#2427: ADDED KIT CONTENTS	05/30/06	D. PARHAM



**KIT SHOWN FULLY ASSEMBLED FOR CLARITY
(KIT IS SHIPPED UN-ASSEMBLED)**

- △ B KIT INCLUDES:**
 1- KEYSTONE JACK
 1- FLANGE ADAPTOR
 1- PACKAGE MOUNTING SCREWS (4-40x 1/4")

Component Specifications	
Material	
Flanged Adaptor	Zinc Alloy
Hardware	Stainless Steel
Finish	
Flanged Adaptor	Nickel Plate

CS-188

UNLESS OTHERWISE SPECIFIED,
 DIMENSIONS ARE IN INCHES
 TOLERANCES ARE:
 X ±.1
 XX ±.05
 XXX ±.005
 CABLE LENGTH TOLERANCE
 <300" ±5% >300" ±2%

APPROVALS	DATE
DRAWN BY D. PARHAM	6/3/2004
CHECKED BY T. CLARK	6/3/2004
APPROVED BY C. McCORMICK	6/3/2004

CONFIGURATION DETAILS OF
 UNDIMENSIONED FEATURES
 MAY VARY

L-com CONNECTIVITY PRODUCTS		45 BEECHWOOD DRIVE NORTH ANDOVER, MA 01845	
PRODUCT DESCRIPTION KIT, PANEL MOUNT CAT 5E SHIELDED JACK / 110 PUNCH-DOWN			
DRAWING TITLE OUTLINE DRAWING			
SIZE A	FSCM NO. 43321	DWG. NO. ECF110C5E-S-OD1	REV. B
SCALE: NONE		CAD FILE: ECF110C5E-S-OD1.SLDDRW	SHEET 1 OF 1