

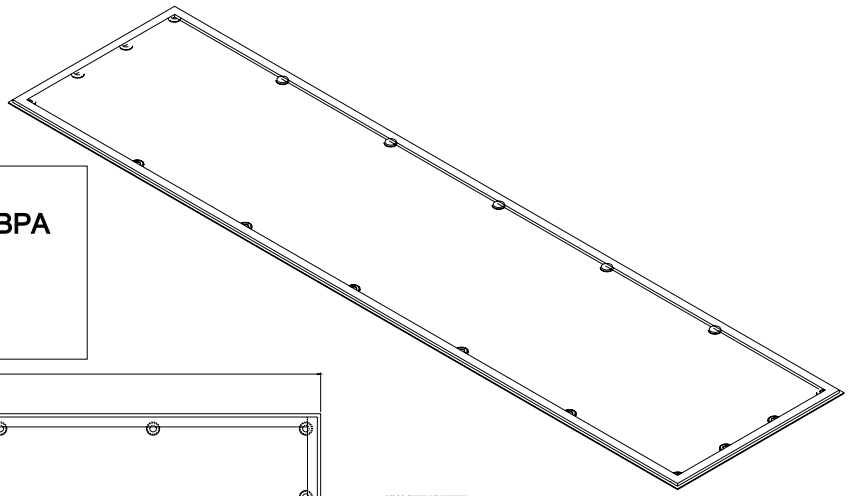


PART No. UHDM7218BPA

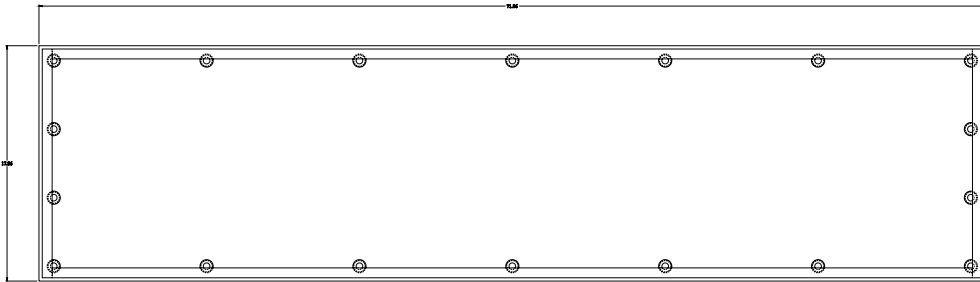
for more information visit
www.hammfg.com

Data subject to change without notice

Isometric drawing Not to Scale



ISOMETRIC VIEW



FRONT VIEW



SIDE VIEW