

DATA CONTAINED IN THIS DOCUMENT IS PROPRIETARY TO TROMPETER ELECTRONICS INC. AND SHALL NOT BE DISCLOSED, COPIED OR USED FOR PROCUREMENT OR MANUFACTURE WITHOUT EXPRESS WRITTEN PERMISSION.

REVISIONS

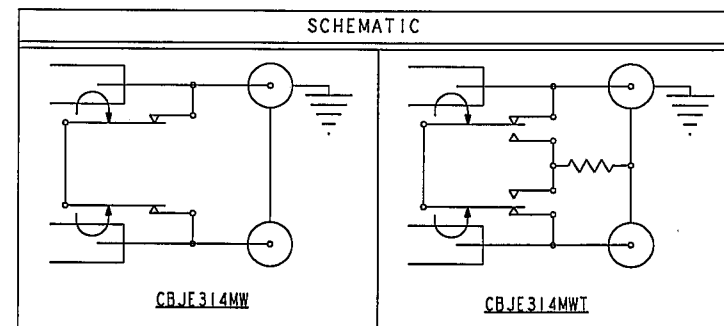
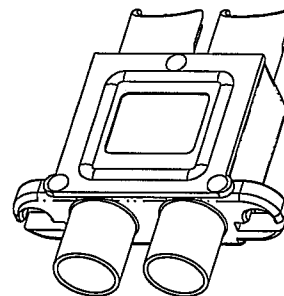
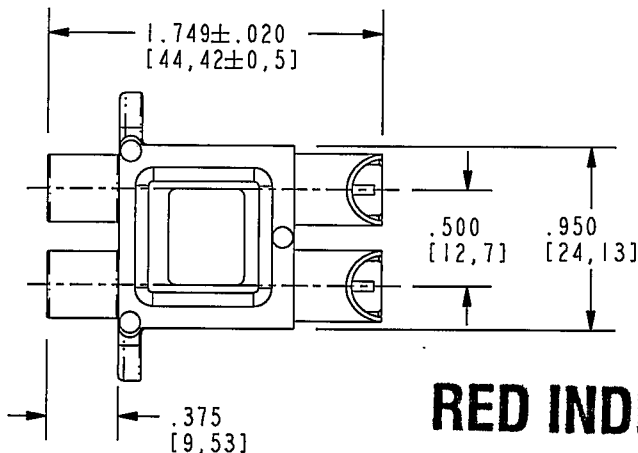
REV	DESCRIPTIONS	DATE	APPROVED
B	REVISED PER ECO 14564	5-21-02	JAM

TABLE 1

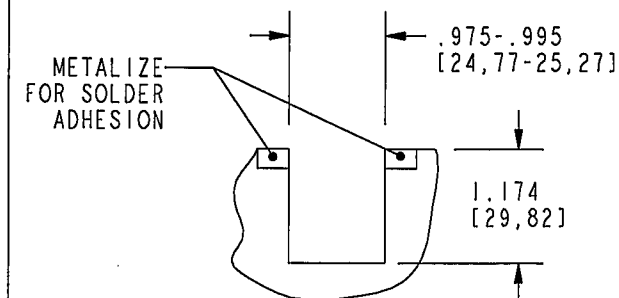
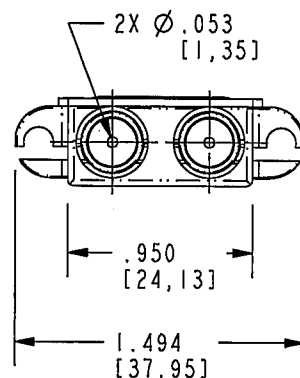
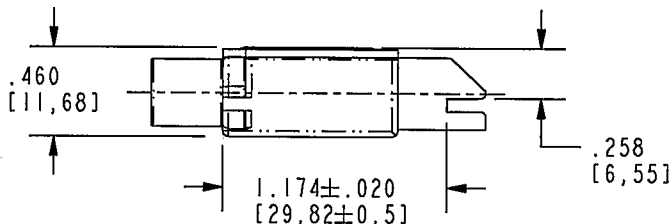
MODEL NO	ACCOMMODATES BOARD THICKNESS	STYLE
CBJE314MW -1	.060-.064	NON-TERMINATED
CBJE314MWT-1	.060-.064	TERMINATED
CBJE314MW -3	.090-.094	NON-TERMINATED
CBJE314MWT-3	.090-.094	TERMINATED

OUTLINE DRAWING

TEI MODEL NO.	TEI DRAWING NO.
CBJE314MW/T	1-0613



RED INDICATES ORIGINAL



RECOMMENDED PCB CUTOUT SCALE 1/2

- SECONDARY DIMENSIONS IN [mm]
- TERMINATED VERSION (CBJE314MWT) IS SUPPLIED WITH A 75Ω, 1/4W, 1% RESISTOR
- SEE TABLE 1 FOR MODEL NUMBER CONFIGURATIONS
- FINISH-
HOUSING: TFS-1AA (ELECTROLESS NICKEL)
CONTACTS: TFS-1B (GOLD)
- 75Ω PCB EDGE-MOUNT DUAL COAXIAL NORMAL THRU MINI-WECO PATCH JACK WITH TERMINATED AND NON-TERMINATED VERSIONS

NOTES: UNLESS OTHERWISE SPECIFIED.

INTERPRET DRAWING PER MIL-STD-100. DIMENSIONS ARE IN INCHES AND INCLUDE FINISH THICKNESS UNLESS OTHERWISE SPECIFIED.

TOL: UNLESS SPECIFIED.
.XX ± .02
.XXX ± .010
ANGLE ± 1°



DRN	JCM	5-20-02	MATERIAL:	TITLE:
CHK	JD	5-20-02		75Ω DUAL COAXIAL PCB MOUNT MINI-WECO PATCH JACK
QUALITY	J	5-21-02	FINISH:	
MANUF	J	5/21/02		
APPROVED	Mash	5/20/02		
PROJ FILE NO.	1-0613		DO NOT SCALE DWG	

SIZE	CAGE CODE	DRAWING NO.	REV.
A	14949	CBJE314MW/T	B

SCALE	DATE	SHEET
1/1	11-15-01	1 OF 1