

Silicon NPN Power Transistors 2N5606 2N5608 2N5610 2N5612

DESCRIPTION

- With TO-66 package
- Excellent safe operating area
- Low collector saturation voltage

APPLICATIONS

- For general-purpose amplifier ; and switching applications

PINNING(see Fig.2)

PIN	DESCRIPTION
1	Base
2	Emitter
3	Collector

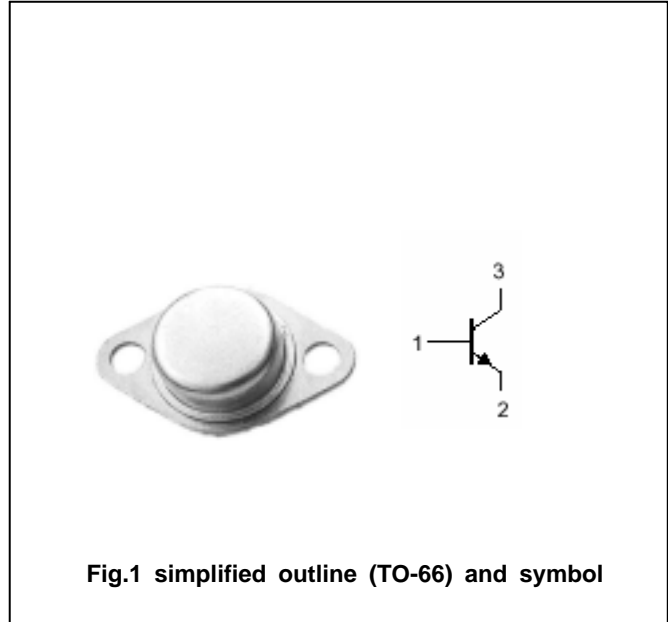


Fig.1 simplified outline (TO-66) and symbol

Absolute maximum ratings(Ta=)

SYMBOL	PARAMETER	CONDITIONS	VALUE	UNIT
V _{CBO}	Collector-base voltage	2N5606	80	V
		2N5608/5610	100	
		2N5612	120	
V _{CEO}	Collector-emitter voltage	2N5606	60	V
		2N5608/5610	80	
		2N5612	100	
V _{EBO}	Emitter-base voltage	Open collector	5	V
I _C	Collector current		5	A
P _D	Total power dissipation	T _C =25	25	W
T _j	Junction temperature		150	
T _{stg}	Storage temperature		-65~150	

THERMAL CHARACTERISTICS

SYMBOL	PARAMETER	VALUE	UNIT
R _{th j-c}	Thermal resistance junction to case	4.37	/W

Silicon NPN Power Transistors 2N5606 2N5608 2N5610 2N5612

CHARACTERISTICST_j=25 unless otherwise specified

SYMBOL	PARAMETER		CONDITIONS	MIN	TYP.	MAX	UNIT
V _{CEQ(SUS)}	Collector-emitter sustaining voltage	2N5606	I _C =50mA ; I _B =0	60			V
		2N5608/5610		80			
		2N5612		100			
V _{CEsat}	Collector-emitter saturation voltage		I _C =1A; I _B =0.1A			0.5	V
V _{BE}	Base-emitter on voltage		I _C =2.5A ; V _{CE} =5V			1.5	V
I _{CBO}	Collector cut-off current		V _{CB} =Rated V _{CBO} ; I _E =0			0.1	mA
I _{CEO}	Collector cut-off current		V _{CE} = Rated V _{CEO} ; I _B =0			1.0	mA
I _{EBO}	Emitter cut-off current		V _{EB} =5V; I _C =0			0.1	mA
h _{FE}	DC current gain	2N5606/5610	I _C =2.5A ; V _{CE} =5V	70		200	
		2N5608/5612		30		90	
f _T	Transition frequency	2N5606/5610	I _C =0.5A ; V _{CE} =10V	70			MHz
		2N5608/5612		60			

Silicon NPN Power Transistors 2N5606 2N5608 2N5610 2N5612

PACKAGE OUTLINE

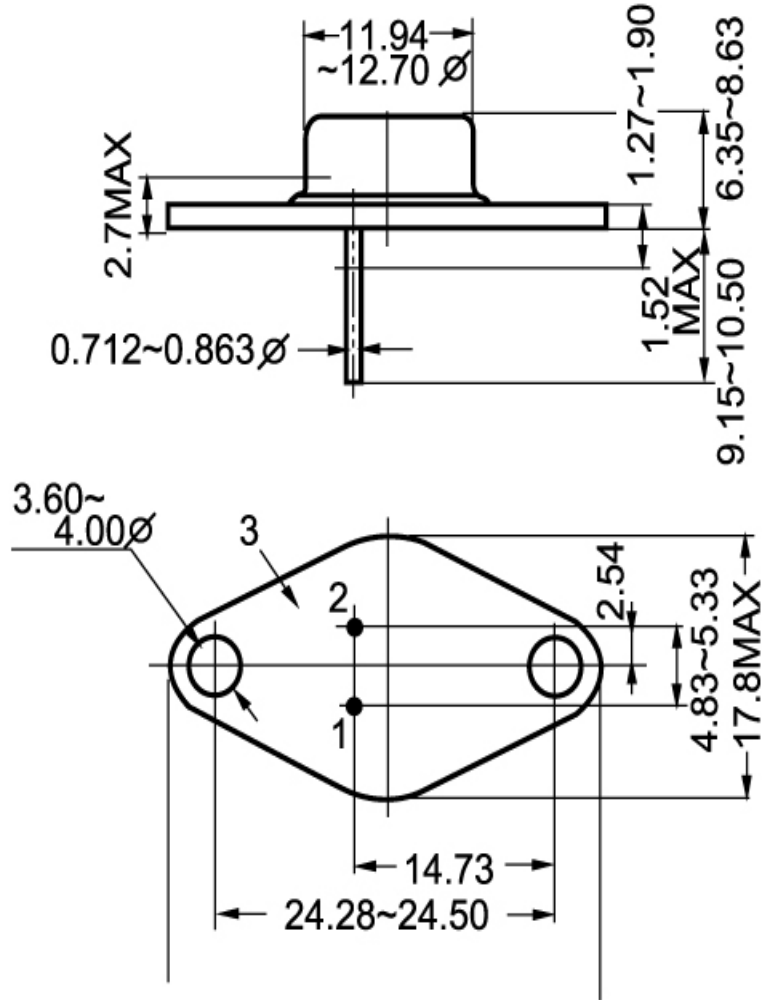


Fig.2 outline dimensions