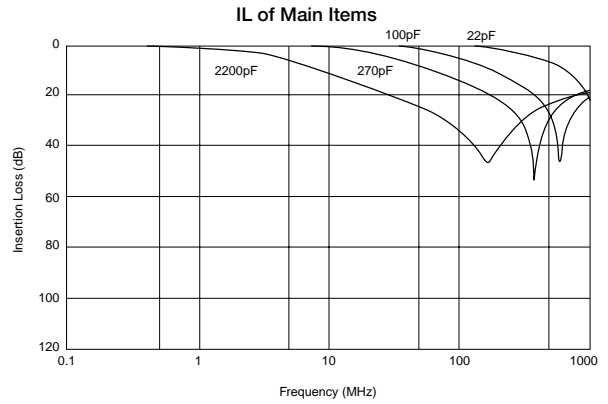
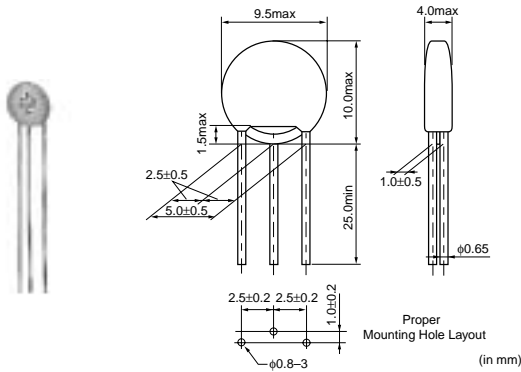


Lead EMIFIL® Capacitor Type

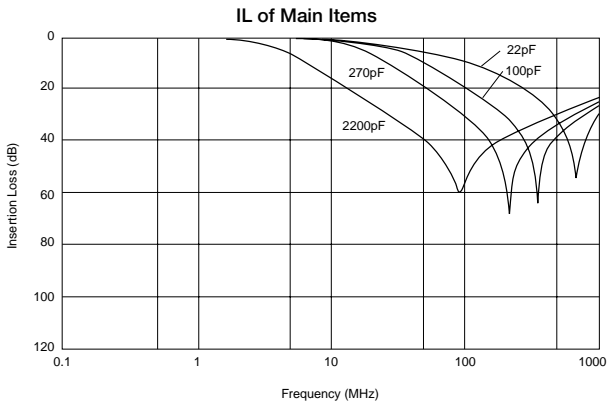
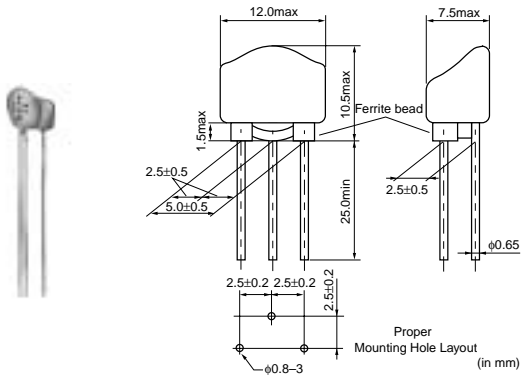
Heavy-duty Type

● DSN9H Series



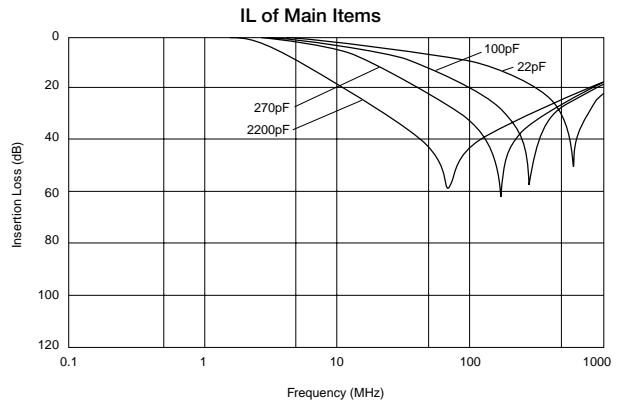
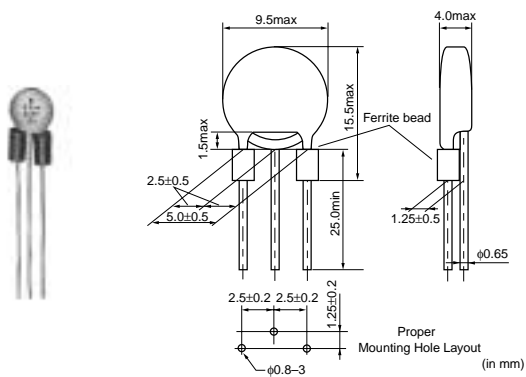
Part Number	Capacitance (pF)	Rated Voltage (Vdc)	Rated Current (A)	Operating Temperature Range (°C)
DSN9HB32E220Q55	22 +20%, -20%	250	6	-40 to 105
DSN9HB32E101Q55	100 +20%, -20%	250	6	-40 to 105
DSN9HB32E271Q55	270 +20%, -20%	250	6	-40 to 105
DSN9HB32E222Q55	2200 +20%, -20%	250	6	-40 to 105

● Built-in Ferrite Beads DSS9H Series



Part Number	Capacitance (pF)	Rated Voltage (Vdc)	Rated Current (A)	Operating Temperature Range (°C)
DSS9HB32E220Q55	22 +20%, -20%	250	6	-40 to 105
DSS9HB32E101Q55	100 +20%, -20%	250	6	-40 to 105
DSS9HB32E271Q55	270 +20%, -20%	250	6	-40 to 105
DSS9HB32E222Q55	2200 +20%, -20%	250	6	-40 to 105

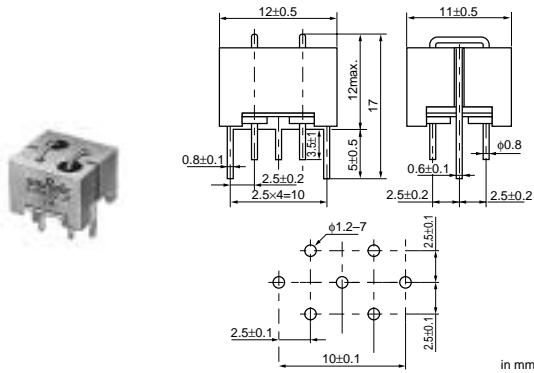
● With Ferrite Beads DST9H Series



Part Number	Capacitance (pF)	Rated Voltage (Vdc)	Rated Current (A)	Operating Temperature Range (°C)
DST9HB32E220Q55	22 +20%,-20%	250	6	-40 to 105
DST9HB32E101Q55	100 +20%,-20%	250	6	-40 to 105
DST9HB32E271Q55	270 +20%,-20%	250	6	-40 to 105
DST9HB32E222Q55	2200 +20%,-20%	250	6	-40 to 105

Lead EMIFIL® LC Combined Type

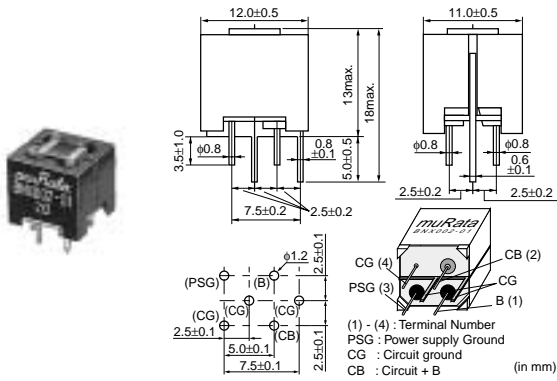
● For Signal Line BNP Series



Part Number	Rated Voltage (Vdc)	Withstand Voltage (Vdc)	Rated Current (A)	Insulation Resistance(min.) (M ohm)	DC Resistance(max.) (ohm)	Insertion Loss	Number of Circuit
BNP002-02	50	300	10	1000	0.05 (20 to 25°C)	20MHz to 500MHz:40dB min.(20 to 25°C)	2
BNP002-03	50	300	10	1000	0.05 (20 to 25°C)	20MHz to 500MHz:40dB min.(20 to 25°C)	3
BNP004-02	50	125	10	1000	0.05 (20 to 25°C)	300MHz to 1000MHz:40dB min.(20 to 25°C)	2

Operating Temperature Range : -40°C to 100°C

● For DC Power Supplies BNX Series

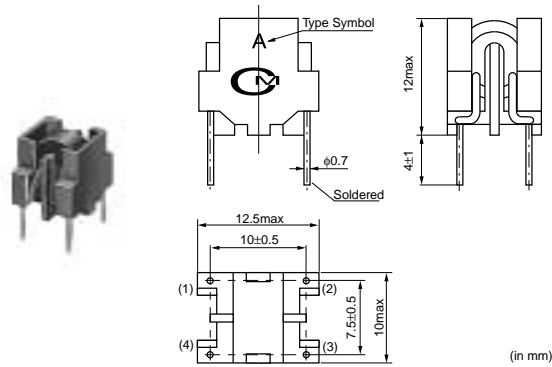


Part Number	Rated Voltage (Vdc)	Withstand Voltage (Vdc)	Rated Current (A)	Insulation Resistance(min.) (M ohm)	Insertion Loss
BNX002-01	50	125	10	100	1MHz to 1GHz:40dB min.(20 to 25°C line impedance=50 ohm)
BNX003-01	150	375	10	100	5MHz to 1GHz:40dB min.(20 to 25°C line impedance=50 ohm)
BNX005-01	50	125	15	100	1MHz to 1GHz:40dB min.(20 to 25°C line impedance=50 ohm)

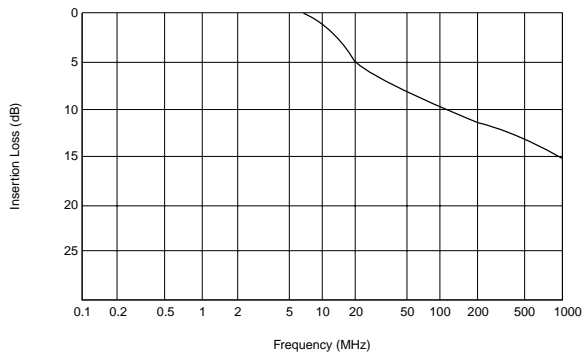
Operating Temperature Range : -30°C to 85°C

Lead Common Mode Choke Coils

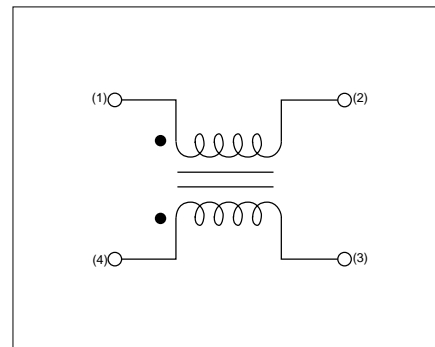
● PLT08C Series



Insertion Loss(Typ.)



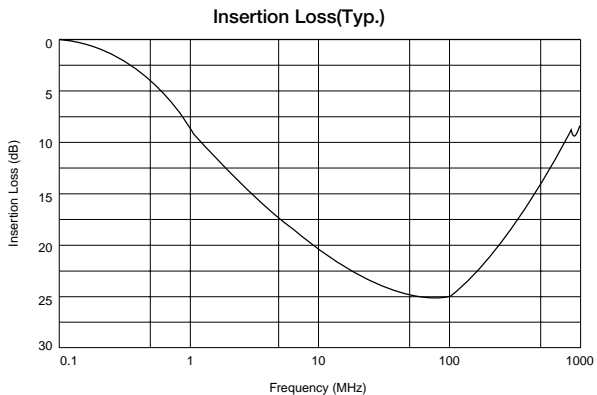
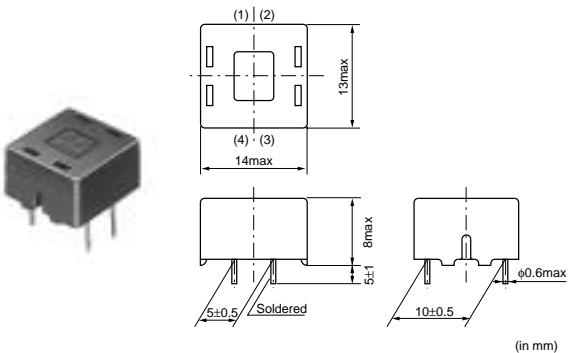
Equivalent Circuit



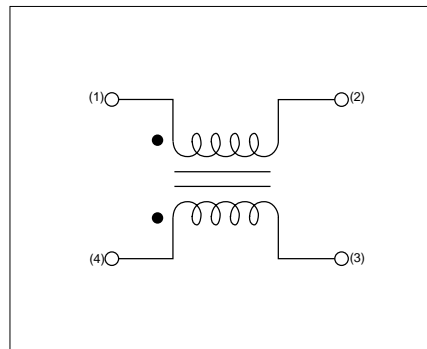
Part Number	Common Mode Inductance (μH)	Rated Current (A)	Rated Voltage (Vdc)	Withstand Voltage (Vdc)
PLT08CN0R53R0T0	0.5 min.	3	50	125
PLT08CN1R53R0T0	1.5 min.	3	50	125
PLT08CN2003R0T0	20 min.	3	50	125

Operating Temperature Range : -25°C to 60°C

● PLT09H Series



Equivalent Circuit

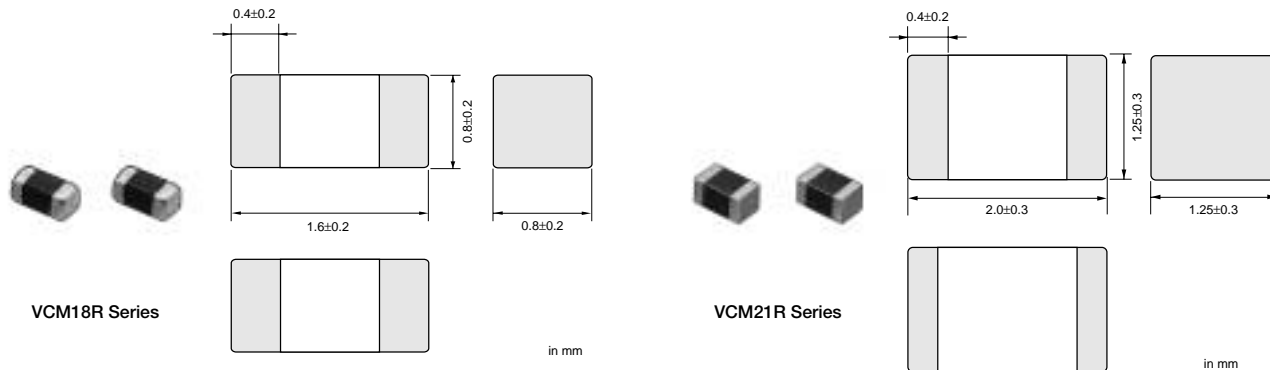


Part Number	Common Mode Inductance (μH)	Rated Current (A)	Rated Voltage (Vdc)	Withstand Voltage (Vdc)
PLT09HN2003R0P1	20 min.	3	50	125

Operating Temperature Range : -40°C to 85°C

Chip Varistors

● VCM18R/21R Series



Part Number	Rated Voltage (Vdc)	Varistor Voltage (V)	Clamping Voltage (max.)	Capacitance (pF)	Peak Pulse Current (A)	Operating Temperature Range (°C)
VCM18RN180DS1	18	29 V1mA +5V,-5V	50V(V1A)	100 +30%,-30%	30 8/20μs	-40 to 125
VCM21RN180DS1	18	25 V1mA +5V,-5V	45V(V10A)	1000 +30%,-30%	150 8/20μs	-40 to 125