

**DMV-5W SERIES, 5WATT, 4:1 INPUT RANGE**

**FEATURES:**

- ✓ 3 years warranty
- ✓ 1500Vdc isolation voltage
- ✓ Metal case with low ripple and noise
- ✓ Operating temperature range -40°C to +85°C
- ✓ Short circuit and input under voltage protection



Model	Input voltage (Vdc)	Output voltage (Vdc)	Output current (mA)	Efficiency Typ.
DMV5W-1811	18(9~36)	3.3	1000	82%
DMV5W-1812		5	1000	82%
DMV5W-1813		9	550	82%
DMV5W-1814		12	410	82%
DMV5W-1815		15	330	82%
DMV5W-1816		24	210	82%
DMV5W-1821		±3.3	500	82%
DMV5W-1822		±5	500	82%
DMV5W-1823		±9	275	82%
DMV5W-1824		±12	205	82%
DMV5W-1825		±15	165	82%
DMV5W-1826		±24	100	82%
DMV5W-3611	36(18~72)	3.3	1000	82%
DMV5W-3612		5	1000	82%
DMV5W-3613		9	550	82%
DMV5W-3614		12	410	82%
DMV5W-3615		15	330	82%
DMV5W-3616		24	210	82%
DMV5W-3621		±3.3	500	82%
DMV5W-3622		±5	500	82%
DMV5W-3623		±9	275	82%
DMV5W-3624		±12	205	82%
DMV5W-3625		±15	165	82%
DMV5W-3626		±24	100	82%

Notes: other input and output models may available on request.

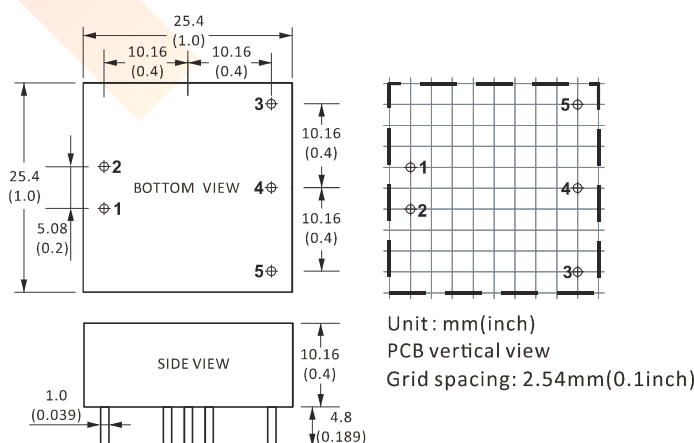
DMV-5W SERIES, 5WATT, 4:1 INPUT RANGE

**ELECTRICAL**

Output voltage accuracy	---	Vo1, Vo2 : ±1.0%, ±3.0%
Line regulation	Nominal Load, full voltage	Vo1, Vo2 : ±0.2%, ±1.5%
Load regulation	20% ~ 100% full load	Vo1, Vo2 : ±0.5%, ±4.0%
Dynamic response (transient/recovery time)	5%-50%-75% load capability	$\Delta Vo1/\Delta t$ : ±4.0%/500 $\mu$ s
Ripple and noise	20MHz BM, full load	Vo≤5.0V, ≤50mVp-p Vo≥48V, ≤180mVp-p Other, ≤100mVp-p
Operating frequency	Typical value	300KHz typ./330KHz max.
Turn-on delay time	Typical value	≤200ms
Isolation voltage (<0.5mA/min)	Input to output Input to case	1500Vdc 500Vdc
Efficiency	Nominal input, full load	Vo≤5.0V, 80% typ. Vo>5.0V, 82% typ.
Operating temperature range	---	-40°C to +85°C
Storage temperature range	---	-55°C to +120°C
Short circuit protection	---	Auto-recovery
Input under voltage protection	When input voltage is lower than the low terminal input voltage	Auto-recovery
Relative humidity	---	10%-90% max.
MTBF	Bellcore TR-332, 25°C	2x10 <sup>5</sup> Hrs

**Notes: Unless otherwise specified, all the parameters of the test conditions are as follows: ambient temperature 25°C, the nominal input voltage, pure resistive nominal load.**

**MECHANICAL**



**CONNECTION**

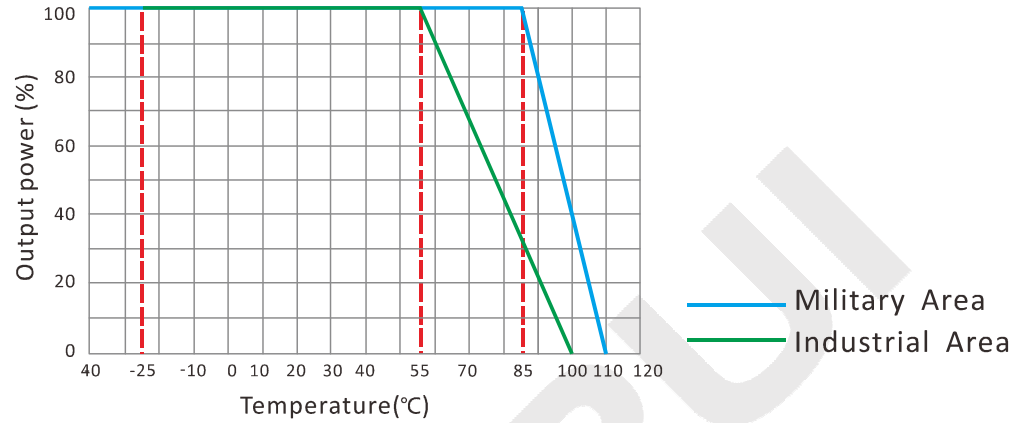
PIN #	SINGLE	DUAL
1	-Vin	-Vin
2	+Vin	+Vin
3	+Vo	+Vo1
4	No Pin	COM
5	GND	-Vo2

Note:

\* Unit is mm(inch).

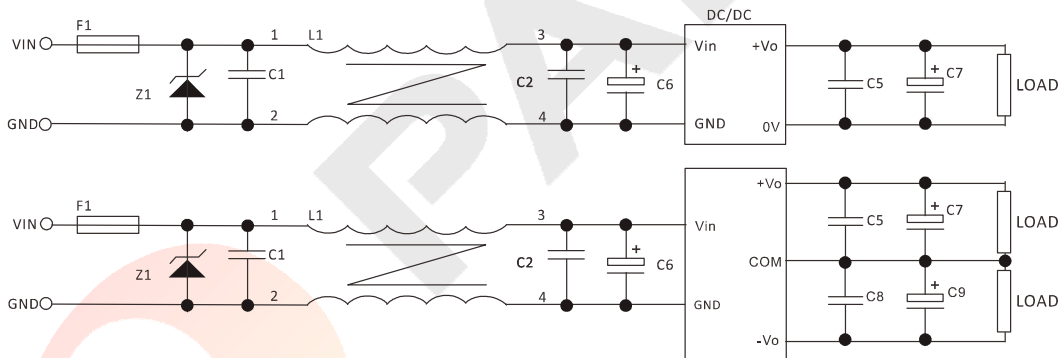
DMV-5W SERIES, 5WATT, 4:1 INPUT RANGE

TEMPERATURE PROFILE



NOTES

RECOMMENDED TEST AND APPLICATION CIRCUIT



FUSE: depends on the actual input current;

TVS: depends on the actual input voltage;

Recommended capacitor: C1,C2,C5,C8, about 0.1uF; C6: 22uF-100uF; C7, C9: 10uF/10mA.