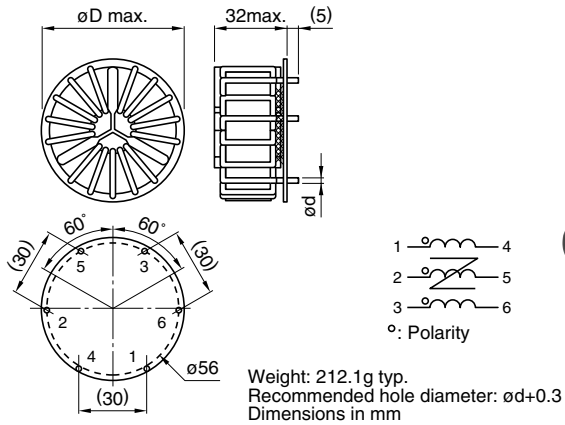


EMC Components

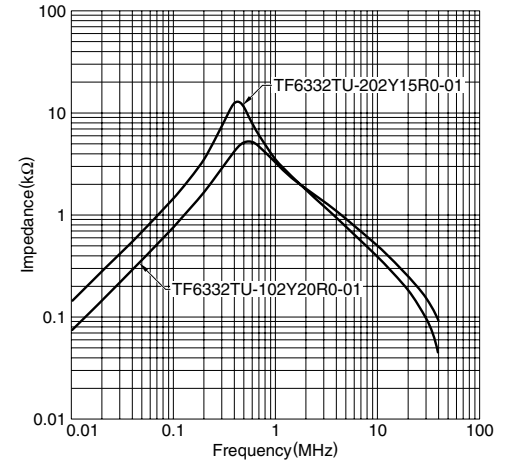
TF Series

Common Mode Choke Coils(Line Filters) for AC Power Supply
Toroidal Core Type for 3-Phase

TF6332TU(HORIZONTAL TYPE WITH TERMINAL BASE) TYPE SHAPES AND DIMENSIONS/CIRCUIT DIAGRAM



TYPICAL ELECTRICAL CHARACTERISTICS IMPEDANCE vs. FREQUENCY CHARACTERISTICS



ELECTRICAL CHARACTERISTICS

Part No.	Inductance (mH)min.	L1-L2 inductance difference (μ H)max.	DC resistance (m Ω)max.	Rated current I _{ac} (A)max.	Dimensions(mm)	
					ϕd	ϕD max.
TF6332TU-202Y15R0-01	2	80	20	15	2	65
TF6332TU-152Y18R0-01	1.5	50	15	18	2.1	65
TF6332TU-102Y20R0-01	1	50	8	20	2.3	68
TF6332TU-501Y25R0-01	0.5	30	6	25	2.5	68