

SHARP

PQxxxEF01SZ series

PQ070XF01SZ

Under development	
New product	●

Low Power-Loss Voltage Regulator

Low Voltage Operation Low Power-Loss Voltage Regulator

■ Features

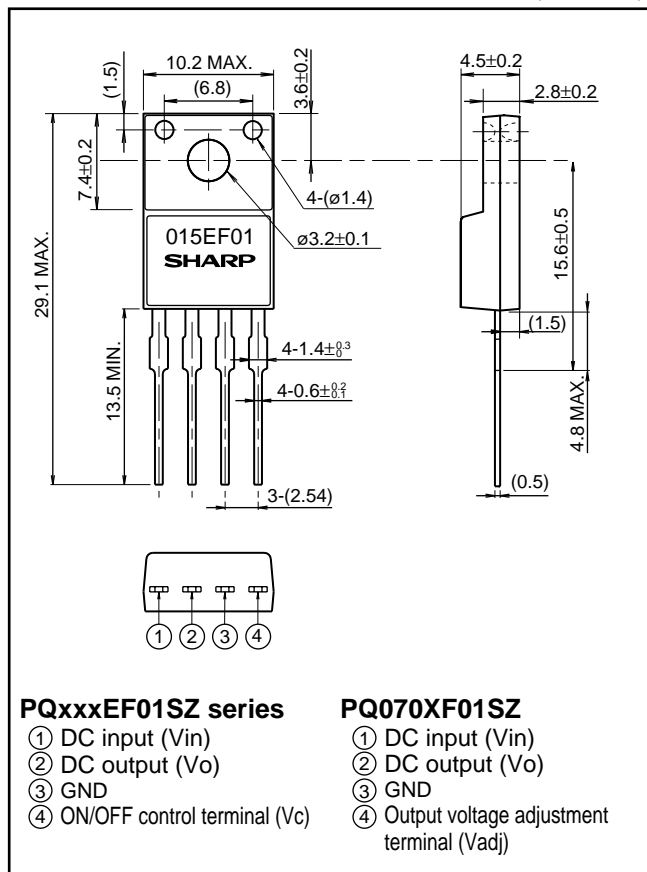
- (1) Low Voltage operation
(minimum operating voltage : 2.35V)
2.5V input → available 1.5V, 1.8V output
- (2) Low dissipation current
(Dissipation current at no load: MAX. 2mA
OFF-state dissipation current: MAX. 5μA)
- (3) Low power-loss
Dropout voltage: MAX. 0.5V
- (4) Fixed output and variable output are available.
- (5) Built-in overcurrent and overheat protection functions
- (6) TO-220 package

■ Applications

- (1) Peripheral equipment of personal computers
- (2) Power supplies for various electronic equipment
such as DVD player or STB.
- (3) LBP

■ Outline Dimensions

(Unit:mm)



■ Model line-up

Output voltage (Vo)	Fixed output type				Variable output type
	1.5V	1.8V	2.5V	3.3V	
Part No.	PQ015EF01SZ	PQ018EF01SZ	PQ025EF01SZ	PQ033EF01SZ	PQ070XF01SZ

(Notice)

- In the absence of confirmation by device specification sheets, SHARP takes no responsibility for any defects that may occur in equipment using any SHARP devices shown in catalogs, data books, etc. Contact SHARP in order to obtain the latest device specification sheets before using any SHARP device.
- Specifications are subject to change without notice for improvement.
- (Internet)
- Data for Sharp's optoelectronic/power devices is provided on internet. (Address <http://sharp-world.com/ecg/>)

SHARP

PQxxxEF01SZ series

PQ070XF01SZ

Low Power-Loss Voltage Regulator

Absolute Maximum Ratings

(Ta=25°C)

Parameter	Symbol	Ratings	Unit
*1 Input voltage	V _{in}	10	V
*1 ON/OFF control terminal voltage	V _C	10	V
*1 Output adjustment terminal voltage (PQ070XF01SZ)	V _{adj}	5	V
Output current	I _o	1.0	A
*2 Power dissipation	P _{d1}	1.4	W
	P _{d2}	15	
*3 Junction temperature	T _j	150	°C
Operating temperature	T _{opr}	- 40 to +85	°C
Storage temperature	T _{stg}	- 40 to +150	°C
Soldering temperature	T _{sol}	260 (for 10s)	°C

*1 All are open except GND and applicable terminals.

*2 Pd1: No heat sink, Pd2: With infinite heat sink.

*3 Overheat protection may operate at 125≤T_j≤150°C.

Electrical Characteristics

(PQxxxEF01SZ series: Unless otherwise specified, V_{in}=V_o(TYP.)+1V, I_o=0.5A, V_c=2.7V, Ta=25°C)

(PQ070XF01SZ: Unless otherwise specified, V_{in}=5V, V_o=3V(R1=1kΩ), I_o=0.5A, V_c=2.7V, Ta=25°C)

Parameter	Symbol	Conditions	MIN.	TYP.	MAX.	Unit	
Input voltage range	PQxxxEF01SZ series	V _{in}	-	Refer to the next page.			V
	PQ070XF01SZ			2.35	-	10	
Output voltage	PQxxxEF01SZ series	V _o	-	Refer to the next page.			V
	PQ070XF01SZ			1.5	-	7	
Reference voltage(PQ070XF01SZ)	V _{ref}	-	1.225	1.25	1.275	V	
Load regulation	RegL	I _o =5mA to 1A	-	0.2	2.0	%	
Line regulation	PQxxxEF01SZ series	RegI	V _{in} =V _o (TYP.)+1V to V _o (TYP.)+6V, I _o =5mA	-	0.1	1.0	%
	PQ070XF01SZ		V _{in} =4 to 8V, I _o =5mA	-	0.2	1.0	
Temperature coefficient of reference voltage	PQxxxEF01SZ series	TcV _o	T _j =0 to 125°C, I _o =5mA	-	±0.01	-	%/°C
	PQ070XF01SZ	TcV _{ref}	T _j =0 to 125°C, I _o =5mA	-	±1.0	-	%
Ripple rejection	RR	-	45	60	-	dB	
Dropout voltage	PQ033EF01SZ	V _{i-o}	I _o =0.5A(at V _o =0.95V)	-	-	0.5	V
	PQ070XF01SZ		V _{in} =2.85A, I _o =0.5A	-	-	0.5	
*4 ON-state voltage for control(PQxxxEF01SZ series)	V _c (on)	-	2.0	-	-	V	
ON-state current for control(PQxxxEF01SZ series)	I _c (on)	-	-	-	200	μA	
OFF-state voltage for control(PQxxxEF01SZ series)	V _c (off)	I _o =0A	-	-	0.8	V	
OFF-state current for control(PQxxxEF01SZ series)	I _c (off)	I _o =0A, V _c =0.4V	-	-	-2	μA	
Quiescent current	PQxxxEF01SZ series	I _q	I _o =0A	-	1	2	mA
	PQ070XF01SZ			-	1.3	2	
OFF-state dissipation current(PQxxxEF01SZ series)	I _{qs}	I _o =0A, V _c =0.4V	-	-	5	μA	

*4 In case of opening control terminal ④, output voltage turns off.

SHARP

PQxxxEF01SZ series

PQ070XF01SZ

Low Power-Loss Voltage Regulator

Input Voltage Range

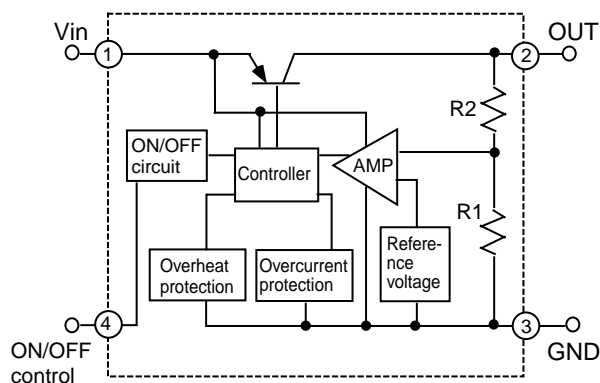
Part number	Symbol	Conditions	MIN.	TYP.	MAX.	Unit
PQ015EF01SZ	V _{in}	I _o =0.5A, V _c =2.7V, T _a =25°C	2.35	-	10	V
PQ018EF01SZ			2.35	-	10	
PQ025EF01SZ			3.0	-	10	
PQ033EF01SZ			3.8	-	10	

Output Voltage Line-up

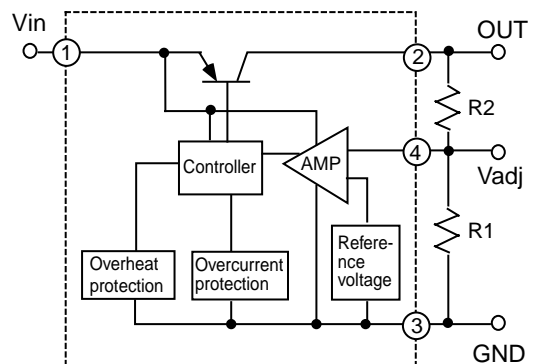
Part number	Symbol	Conditions	MIN.	TYP.	MAX.	Unit
PQ015EF01SZ	V _o	V _{in} =V _o (TYP.)+1V, I _o =0.5A, V _c =2.7V, T _a =25°C	1.45	1.5	1.55	V
PQ018EF01SZ			1.75	1.8	1.85	
PQ025EF01SZ			2.438	2.5	2.562	
PQ033EF01SZ			3.218	3.3	3.382	

Internal Block Diagram

PQxxxEF01SZ series



PQ070XF01SZ Series



As of September 2001

NOTICE

- The circuit application examples in this publication are provided to explain representative applications of SHARP devices and are not intended to guarantee any circuit design or license any intellectual property rights. SHARP takes no responsibility for any problems related to any intellectual property right of a third party resulting from the use of SHARP's devices.
- Contact SHARP in order to obtain the latest device specification sheets before using any SHARP device. SHARP reserves the right to make changes in the specifications, characteristics, data, materials, structure, and other contents described herein at any time without notice in order to improve design or reliability. Manufacturing locations are also subject to change without notice.
- Observe the following points when using any devices in this publication. SHARP takes no responsibility for damage caused by improper use of the devices which does not meet the conditions and absolute maximum ratings to be used specified in the relevant specification sheet nor meet the following conditions:
 - (i) The devices in this publication are designed for use in general electronic equipment designs such as:
 - Personal computers
 - Office automation equipment
 - Telecommunication equipment [terminal]
 - Test and measurement equipment
 - Industrial control
 - Audio visual equipment
 - Consumer electronics
 - (ii) Measures such as fail-safe function and redundant design should be taken to ensure reliability and safety when SHARP devices are used for or in connection with equipment that requires higher reliability such as:
 - Transportation control and safety equipment (i.e., aircraft, trains, automobiles, etc.)
 - Traffic signals
 - Gas leakage sensor breakers
 - Alarm equipment
 - Various safety devices, etc.
 - (iii) SHARP devices shall not be used for or in connection with equipment that requires an extremely high level of reliability and safety such as:
 - Space applications
 - Telecommunication equipment [trunk lines]
 - Nuclear power control equipment
 - Medical and other life support equipment (e.g., scuba).
- Contact a SHARP representative in advance when intending to use SHARP devices for any "specific" applications other than those recommended by SHARP or when it is unclear which category mentioned above controls the intended use.
- If the SHARP devices listed in this publication fall within the scope of strategic products described in the Foreign Exchange and Foreign Trade Control Law of Japan, it is necessary to obtain approval to export such SHARP devices.
- This publication is the proprietary product of SHARP and is copyrighted, with all rights reserved. Under the copyright laws, no part of this publication may be reproduced or transmitted in any form or by any means, electronic or mechanical, for any purpose, in whole or in part, without the express written permission of SHARP. Express written permission is also required before any use of this publication may be made by a third party.
- Contact and consult with a SHARP representative if there are any questions about the contents of this publication.