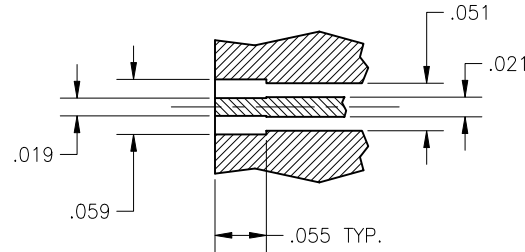
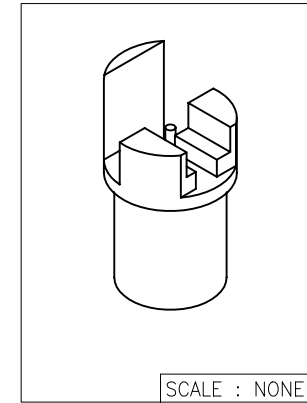


P/N	APPLICABLE NOTE(S)	(Ø A)	INTERFACE(S)	FIGURE(S)
-1CC	1,2,3	(.116)	FULL DETENT	1
-2CC	1,2,3	(.120)	LIMITED DETENT	1
-3CC	1,2,3	(.125)	SMOOTH BORE	1
-4CC	1,2,3	(.125)	CATCHERS MITT	2

REVISIONS				
ZONE	REV	DESCRIPTION	DATE	BY
-	E	ECO 12864	03/05/01	HDB
-	F	ECO 17650 (ADD -4CC)	11.12.04	DKN
-	G	ECO 21365	06.16.08	DKN



RECOMMENDED PCB MOUNTING PATTERN



4. DIMENSIONS SHOWN ARE FOR ROGERS 4350 PCB MATERIAL. THESE DIMENSIONS MAY VARY DEPENDING ON PCB MATERIAL USED.

MATERIAL:	ELECTRICAL:	MECHANICAL:	ENVIRONMENTAL:
Body & Center Conductor: BeCu alloy per ASTM B-196. Dielectric: PTFE per ASTM D-1710.	Impedance: 50 Ohms nominal. Frequency Range: DC to 18.0 GHz. VSWR: 1.06 + .005 x f(GHz). Insertion Loss: .10 dB max to 18.0 GHz. Working Voltage: 600 Vrms max @ sea level. 150 Vrms max @ 70,000 ft. Dielectric Withstanding Voltage: 500 Vrms min. R.F. HiPot Voltage: 325 Vrms min @ 5MHz. Corona Level: 190 Vrms @ 70,000 ft. Insulation Resistance: 5000 MegOhms min. Contact Resistance: Center Contact: 4.0 Milliohm max. Outer Contact: 2.0 Milliohm max. R.F. Leakage: -80 dB max to 3.0 GHz -60 dB max to 18.0 GHz	Mating Characteristics: Interface per Mil-Std-348. Force to Engage and Disengage: Engage Disengage Full detent: 10 lbs max 5 lbs min Limited Detent: 8 lbs max 2 lbs min Smooth Bore: 2 lbs max .5 lbs min Center Contact Retention: Axial Force: 1.5 pounds min. <u>Note: 10 lbs min. when c/c is solder-on to PCB</u> Radial Torque: NA Connector Durability: Full detent: 100 Cycles Limited Detent: 500 Cycles Smooth Bore: 1000 Cycles Connector Attachment Strength: 20 lbs max (depend on the solder techniques)	Temperature Range: -65°C to +165°C. Thermal Shock: Mil-Std-202, Method 107, Test Cond. C. Moisture Resistance: Mil-Std-202, Method 106, except step 7b shall be omitted. Insulation resistance at least 1000 MegOhms within 5 minutes after removal from humidity. Corrosion: Mil-Std-202, Method 101, Test Cond. B. Vibration: Mil-Std-202, Method 204, Test Cond. D. Shock: Mil-Std-202, Method 213, Test Cond. I.

FINISH:
Body & Center Conductor: Gold plate per ASTM B-488, over nickel under plate per AMS-QQ-N-290.

APPLICABLE TENSOLITE DOCUMENTS		
WORK STD	PROD INST	ASSY INST
NA	NA	NA

- TOLERANCES AND NOTES EXCEPT AS NOTED**
 DIMENSIONS ARE IN INCHES
 LINEAR .XX ±.015 ANGULAR ± 1/2°
 FRACTION ± 1/32
- MACHINE FINISH: $\sqrt{3}$ RMS
 - BREAK ALL SHARP EDGES .003 MAX.
 - MACHINED FILLETS: .005 MAX.
 - MACHINED SURFACES SQUARE TO RESPECTIVE AXIS WITHIN .005 INCHES PER INCH.
 - MACHINED DIAMETERS CONCENTRIC WITHIN .002 T.I.R.
 - DIMENSIONS TO BE MET BEFORE PLATING.
 - CHAMFER ALL THREADS 45°.
 - THREADS PER H-28
 - REMOVE FRAVED EDGES ON TEFLON.
 - REMOVE ALL BURRS.

NOTICE
 THIS DRAWING EMBODIES A CONFIDENTIAL PROPRIETARY DESIGN ORIGINATED BY TENSOLITE COMPANY AND ALL DESIGN, MANUFACTURING, REPRODUCTION, USE AND SALE RIGHTS REGARDING THE SAME ARE EXPRESSLY RESERVED. IT IS SUBMITTED UNDER A CONFIDENTIAL RELATIONSHIP FOR A SPECIFIED PURPOSE AND THE RECIPIENT AGREES BY ACCEPTING THIS DRAWING NOT TO SUPPLY OR DISCLOSE ANY INFORMATION REGARDING IT TO ANY UNAUTHORIZED PERSON TO INCORPORATE IN OTHER PROJECTS ANY SPECIAL FEATURES REGULAR TO THIS DESIGN. ALL PATENT RIGHTS HERETO ARE EXPRESSLY RESERVED BY TENSOLITE COMPANY, LONG BEACH, CALIFORNIA 90815.

MATERIAL		SIZE	SPECIFICATION	PROCUREMENT
APPROVAL INITIALS	DATE	Tensolite HIGH PERFORMANCE CABLES & INTERCONNECT SYSTEMS Long Beach, California 90815		
DRAWN BY	ATV 08.09.99	TITLE SMP MALE PCB EDGE MOUNT TO STRAIGHT TERMINATION		
CHECKED BY		SCALE	SUB-DIRECTORY/FILENAME	
TEST ENGG		10:1	OLPXXX\OLP698	SHEET 1 OF 2
QUALITY		DESIGN ENGG	ATV 06.17.08	REV. G
MFG ENGG		SIZE	CAGE CODE	DRAWING NO.
		C 30990		P698

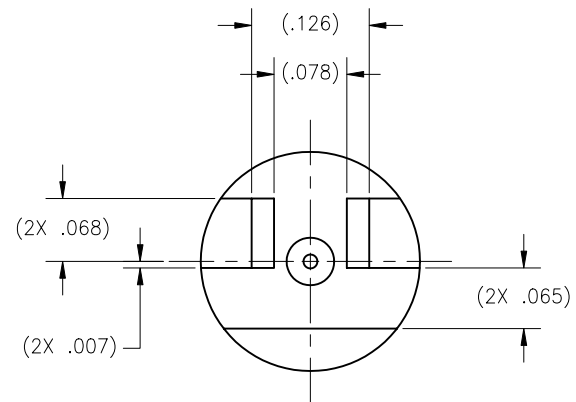
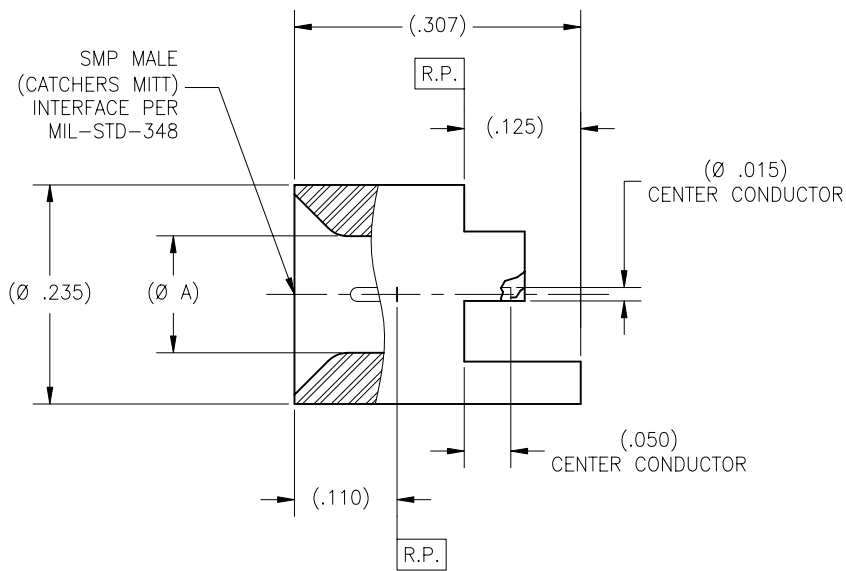


FIGURE 2

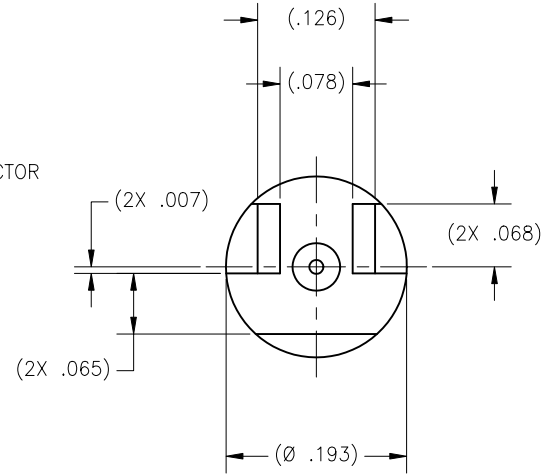
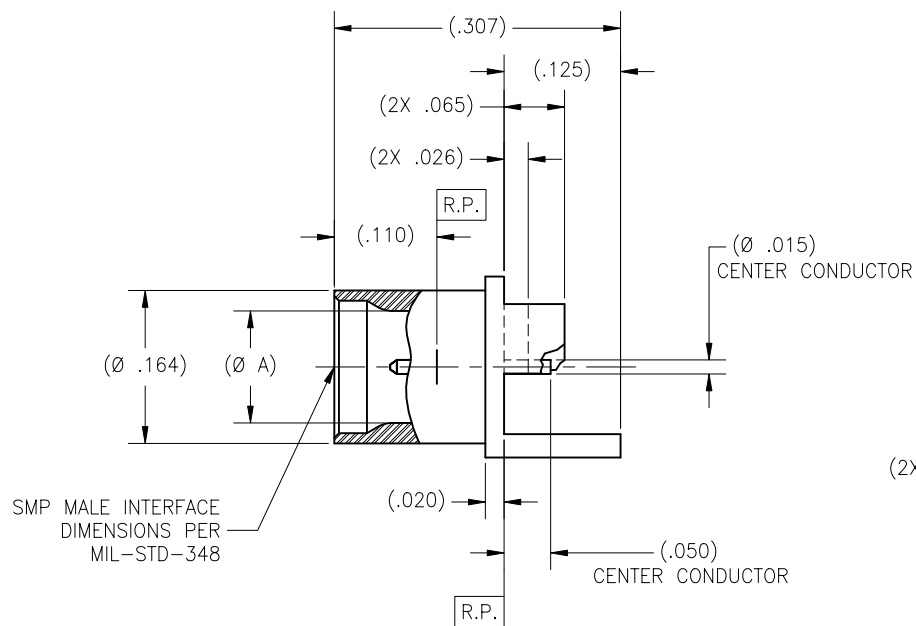


FIGURE 1

SCALE	SUB-DIRECTORY/FILENAME	SHEET	OF	2
10:1	_OLPXX	2		
SIZE	GAGE CODE	DRAWING NO.	REV.	
C	30990	P698	G	