

**NOTE 1:**

IF SUFFIX "P" IS ADDED IN P/N, PACKAGING IS IN TRAYS BUT CONNECTOR MARKING IS WITHOUT "P"  
 EXAMPLE: HM1D44ZZR304L6P, MARKED HM1D44ZZR304L6

**TIN LEAD PART NUMBER**

Part Number: HM1D44ZZR304L6

**LEAD-FREE PART NUMBER**

Part Number: HM1D44ZZR304L6LF

**GENERAL CHARACTERISTICS AND ROHS INFORMATIONS:**

SEE PRODUCT SPECIFICATION GS-12-445

**European Views**

CONTACT FCI CODE		QTE
DIM-P	DIM-D	
01	5.00 4.25	072
02	5.75 4.25	032
03	6.50 4.25	024
04	7.25 4.25	
19	8.00 4.25	
NO CONTACT		

**CONTACT LOADING**

	1	2	3	4	5	6	7	8	9	10	11	12	13	14	15	16	17	18	19	20	21	22	23	24	25	26	27	28	29	30	31	32	33	34	35	36	
D	02	02	02	02	02	02	02	02	02	02	02	02	03	03	03	03	03	03	03	03	03	03	03	03	03	03	03	03	03	03	03	03	03	03	03	03	03
C	02	02	02	02	02	02	02	02	02	02	02	02	01	01	01	01	01	01	01	01	01	01	01	01	01	01	01	01	01	01	01	01	01	01	01	01	01
B	02	02	02	02	02	02	02	02	02	02	02	02	01	01	01	01	01	01	01	01	01	01	01	01	01	01	01	01	01	01	01	01	01	01	01	01	01
A	02	02	02	02	02	02	02	02	02	02	02	02	01	01	01	01	01	01	01	01	01	01	01	01	01	01	01	01	01	01	01	01	01	01	01	01	01

rev	ecn no	dr	date
C	LS05-004	MLE	2005-02-21
D	LS06-0097	LGO	2006-07-25
E	LS07-0012	MLE	2007-03-30
F	DG09-0343	TER	2010-03-08
-	-	-	-
-	-	-	-
-	-	-	-

www.fciconnect.com		surface	ISO 1302	tolerance std	ISO 406 ISO 1101	projection	mm
		TOLERANCES UNLESS OTHERWISE SPECIFIED					
Dr	ETIEMBRE	1999/02/01	ANGULAR	0.X	±0.1	size	A3
Eng	LENOIR	1999/02/01	LINEAR	0.XX	±0.1	Scale	2.5
Chr	LEGARE	1999/02/01	0.XX ±2	0.XXX	±0.1	ECN	DG09-0343
Appr	LEGARE	1999/02/01	Product family		METRAL	Spec ref	-
title METRAL HEADER 2 GUIDE + 128 CTS FOR ALCATEL BTS-3G						dwg no	C-8626-0945
catalog no						CUSTOMER	sheet 1 of 2

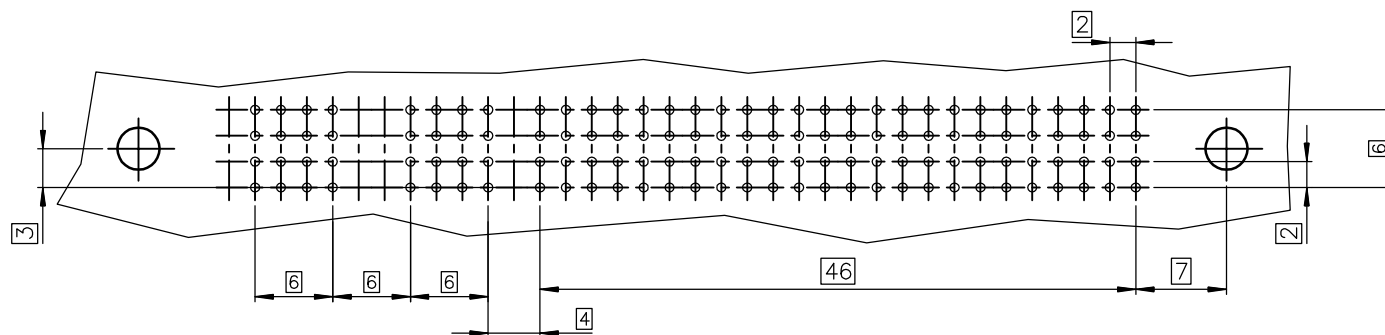
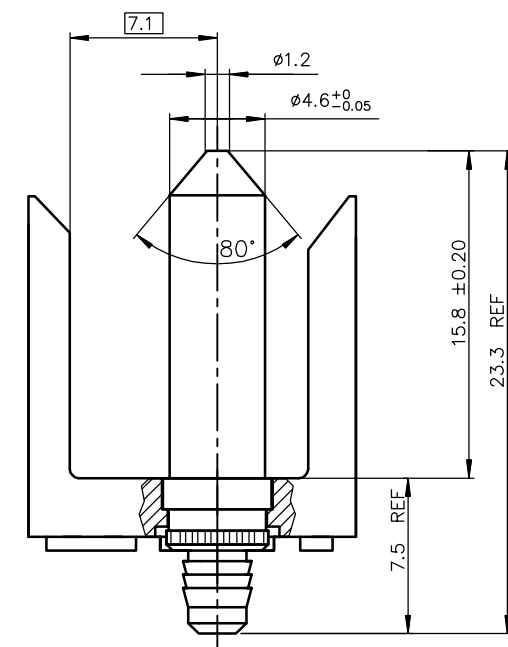
1

2

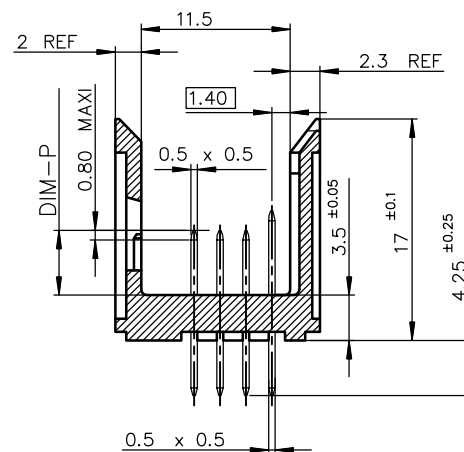
3

4

## LAYOUT FOR P.C.B / CONNECTOR SIDE

DETAIL FOR GUIDE - SCALE 4/1  
(SEE NOTE-1)

## DETAIL FOR SIGNAL



## European Views

NOTE-1: METAL GUIDES ARE INSERTED IN HOUSING BEFORE DELIVERY (FORCE FITTED)

NOTE-2: INSULATOR MATERIAL = PBT COLOUR WHITE

NOTE-3: EYE OF THE NEEDLE PRESS-FIT CTS TYPE

NOTE-4: INSERTION TOOLING IN PCB, SEE DRW C-8626-1001 + HM1 5234

NOTE-5: NUTS AND WASHERS MUST BE ORDERED SEPARATLY

NOTE-6: IF SUFFIX "P" IS ADDED IN P/N, PACKAGING IS IN TRAYS  
BUT CONNECTOR MARKING IS WITHOUT "P"

EXAMPLE: HM1D44ZZR304L6P, MARKED HM1D44ZZR304L6

NOTE-7: INSPECTION DRAWING NUMBER: 10110691.

rev	ecn no	dr	date
F			

www.fcconnect.com		surface ISO 1302 <input checked="" type="checkbox"/>	tolerance std ISO 406 ISO 1101	projection 	mm ↔
TOLERANCES UNLESS OTHERWISE SPECIFIED					
Dr	ETIEMBRE	1999/02/01	ANGULAR	0.X	±0.1
Eng	LENOIR	1999/02/01	LINEAR	0.XX	±0.1
Chr	LEGARE	1999/02/01	0.XX' ±2	0.XXX	±0.1
Appr	LEGARE	1999/02/01	Product family	METRAL	Spec ref -
title <b>METRAL HEADER 2 GUIDE + 128 CTS</b>			dwg no	C-8626-0945	
FOR ALCATEL BTS-3G			Rev.	F	
catalog no			-	CUSTOMER	sheet 2 of 2

REV F - 2006-04-17

1

2

3

4

PDM: Rev:F

STATUS: Released

Printed: Mar 31, 2010



Copyright FCI.