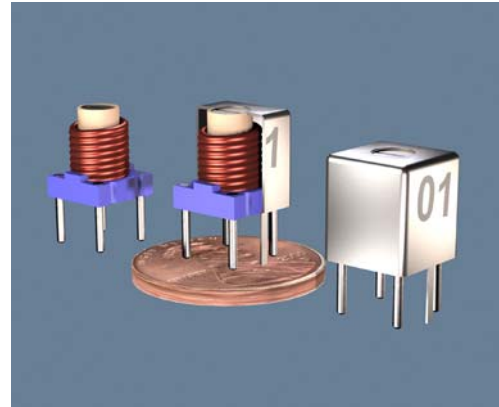


## RF TUNABLE COILS - HIGH FREQUENCY

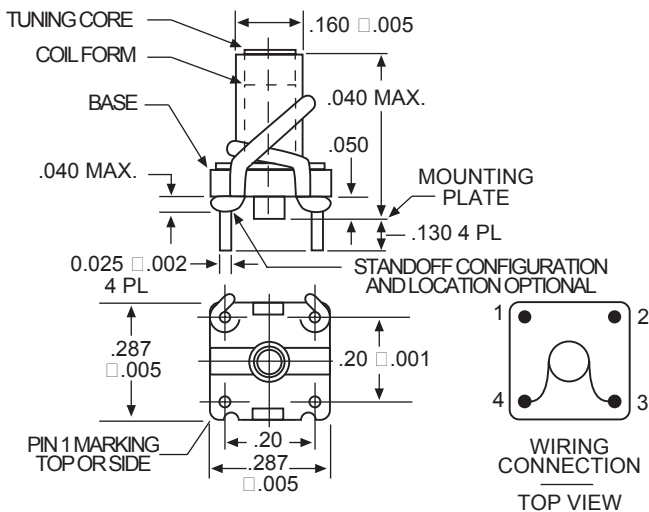
### Features:

- ▶▶ Application frequency from 10 MHz to 100 MHz.
- ▶▶ Standard inductance values range from 12.0  $\mu$ H to 860.0  $\mu$ H.
- ▶▶ Coil form material is a glass epoxy lamination for higher temperature.
- ▶▶ Available unshielded or shielded with an optional plated brass can that provides shielding and mechanical stability.
- ▶▶ Core does not protrude past coil form between min. & max. settings.
- ▶▶ Tapped windings, and numerous core materials and core lengths are available for custom designs - Consult factory.

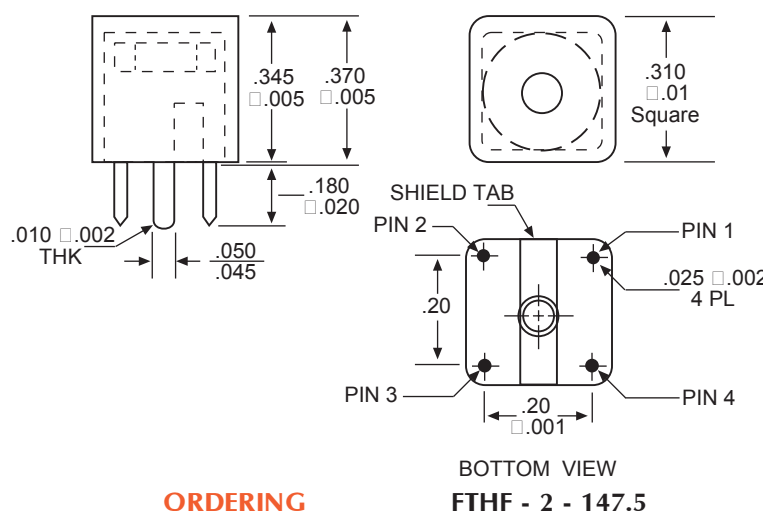


### DIMENSIONS (Inches)

#### UNSHIELDED



#### SHIELDED



### ORDERING INFORMATION

**FTHF - 2 - 147.5**  
1 2 3

### Notes:

1. Standard core materials are Carbonyl SF, E, and J.
2. All Inductance into measurements are made on a HP-4191A.

### ELECTRICAL SPECIFICATIONS 25°C - UNSHIELDED

TYPE	INDUCTANCE $\mu$ H			Q MINIMUM @ NOMINAL	TEST FREQ. MHz
	MINIMUM	NOMINAL	MAXIMUM		
FTHF	12.0	15.0	18.0	65	80
FTHF	15.4	16.0	16.5	90	
FTHF	23.5	25.0	26.5	65	
FTHF	32.0	37.0	42.0	65	
FTHF	39.0	43.5	48.0	65	
FTHF	45.0	52.5	60.0	90	
FTHF	56.0	69.5	83.0	90	
FTHF	69.0	76.5	94.0	72	
FTHF	83.0	90.5	98.0	80	
FTHF	85.0	109.0	133.0	81	
FTHF	121.0	158.5	196.0	75	40
FTHF	159.0	216.0	273.0	70	
FTHF	170.0	197.5	225.0	80	
FTHF	180.0	245.0	310.0	90	
FTHF	202.0	272.5	343.0	90	
FTHF	204.0	270.0	336.0	80	
FTHF	260.0	340.6	420.0	90	
FTHF	280.0	372.5	465.0	80	
FTHF	312.0	446.5	581.0	90	
FTHF	370.0	520.0	670.0	90	

### ELECTRICAL SPECIFICATIONS 25°C - SHIELDED

TYPE	INDUCTANCE $\mu$ H			Q MINIMUM @ NOMINAL	TEST FREQ. MHz
	MINIMUM	NOMINAL	MAXIMUM		
FTHF	35.0	38.5	42.0	80	80
FTHF	53.0	63.0	73.0	80	
FTHF	90.0	110.3	130.6	80	
FTHF	103.0	111.0	119.0	75	
FTHF	118.0	147.0	176.0	60	
FTHF	121.0	158.5	196.0	75	
FTHF	140.0	147.5	155.0	70	
FTHF	159.0	216.0	273.0	70	
FTHF	190.0	250.0	310.0	70	
FTHF	202.0	268.0	335.0	90	
FTHF	240.0	310.0	380.0	80	40
FTHF	260.0	330.0	400.0	80	
FTHF	287.0	388.0	490.0	80	
FTHF	300.0	400.0	500.0	60	
FTHF	331.0	451.0	570.0	80	
FTHF	365.0	492.0	620.0	60	
FTHF	400.0	550.0	700.0	75	
FTHF	410.0	575.0	740.0	55	
FTHF	480.0	670.0	860.0	55	