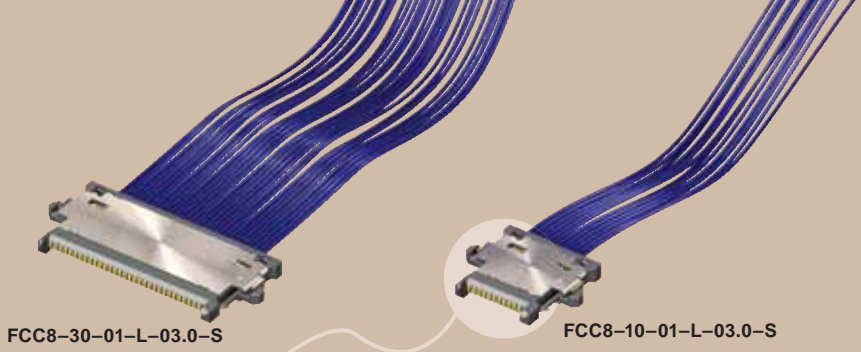




(0,80mm) .0315"

FCC8 SERIES



HIGH SPEED COST EFFECTIVE COAX CABLE

SPECIFICATIONS

For complete specifications see www.samtec.com?FCC8

Cable:

36 AWG micro discrete coax cable

Signal Routing:

50Ω Single-Ended

Overall Length:

(1m) 40" standard

Cable Flexing Life:

>10,000 cycles

Cable Bending Radius:

<2,5mm

Plating:

Au over 50μ" (1,27μm) Ni

Current Rating:

Testing Now!

Cable Propagation Delay:

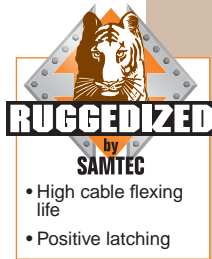
4.4 nsec/meter

Operating Temp Range:

TBD

RoHS Compliant:

Yes

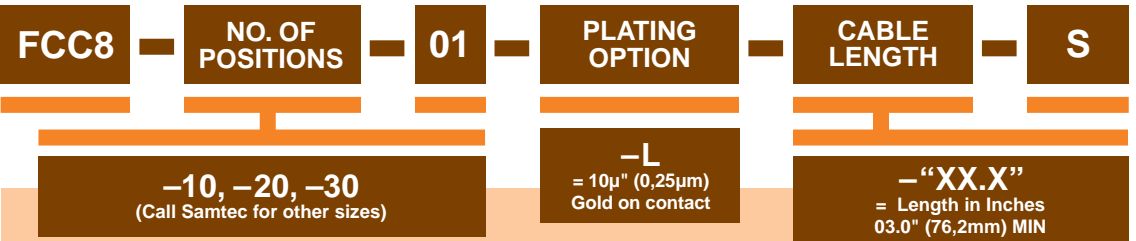
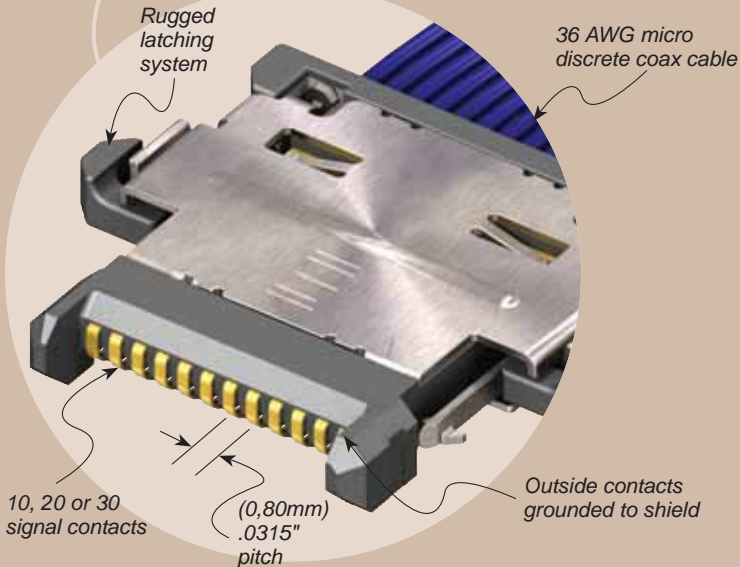


- High cable flexing life
- Positive latching

Mates with:
FCS8

Cable Length	Rated @ 7dB Insertion Loss
39.37" (1m)	Testing Now!

Performance and complete test data available at www.samtec.com?FCC8 or contact sig@samtec.com



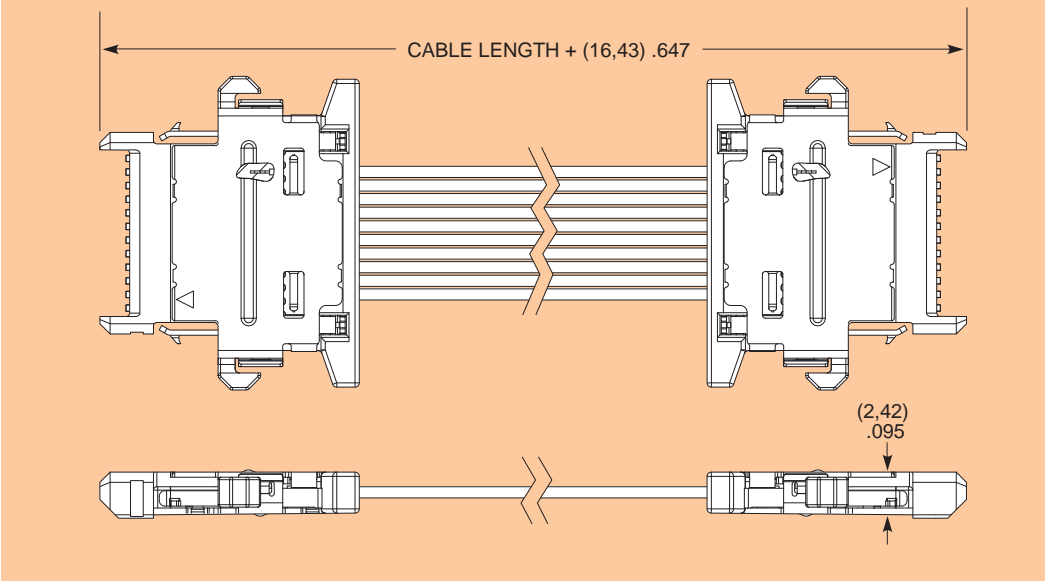
APPLICATION SPECIFIC

- Other sizes and lengths
 - Other terminations
 - Other wire AWG
- Contact dr@samtec.com

Note:
Cable lengths longer than 40.00" (1 meter) are not supported with S.I. test data.

Note:
Verify part number with Samtec's Interactive Cable Builder at www.samtec.com/cable_builder/pitch.asp

Note:
Some lengths, styles and options are non-standard, non-returnable.



Due to technical progress, all designs, specifications and components are subject to change without notice.

WWW.SAMTEC.COM