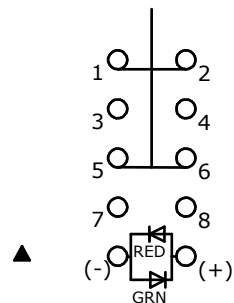
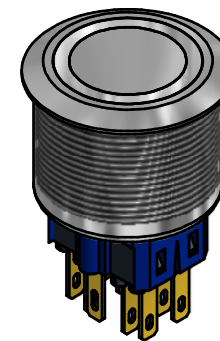
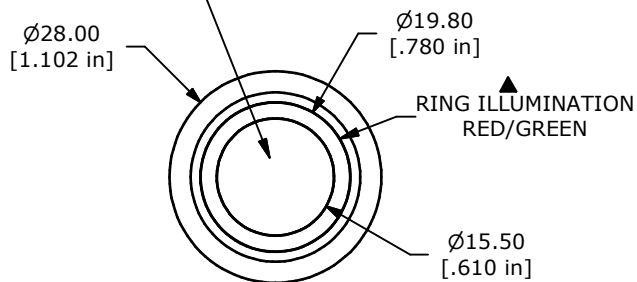


PANEL CUTOUT
MAX. PANEL THICKNESS 10mm

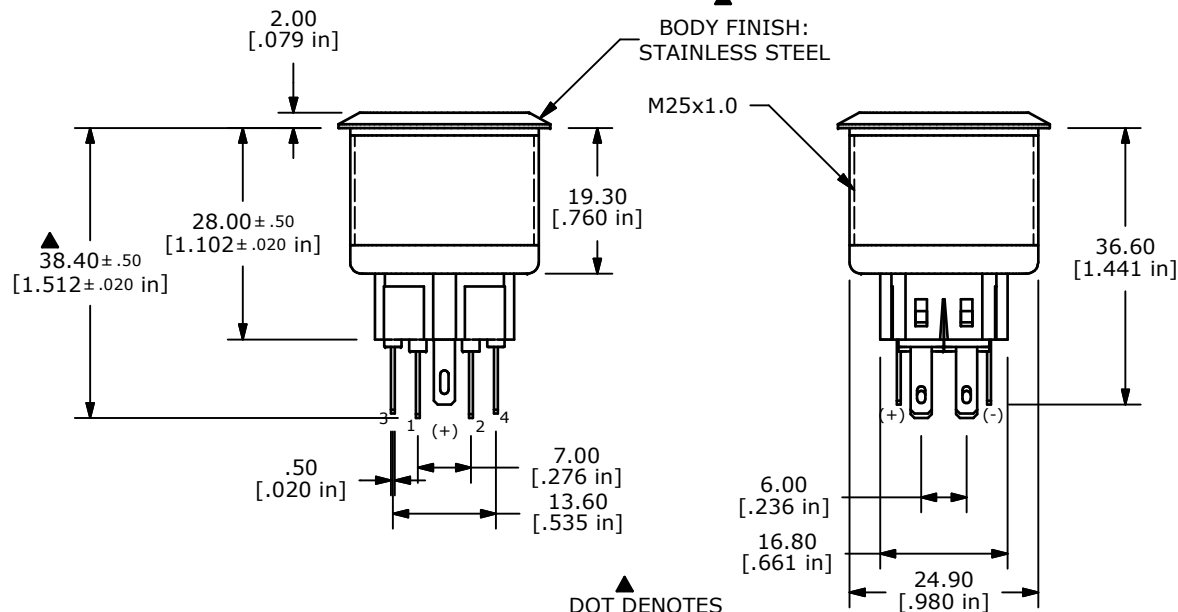
SWITCH FUNCTION	
POS. 1	POS. 2
1-2 5-6	(3-4) (7-8)

(ON) = MOMENTARY

ACTUATOR FINISH:
STAINLESS STEEL



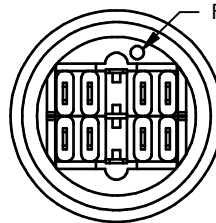
DPDT
CONTACT CONFIGURATION



BODY FINISH:
STAINLESS STEEL

M25x1.0

DOT DENOTES
FORWARD VOLTAGE
LED COLOR



- NOTE:
- ALL DIMENSIONS IN MM [INCH]
 - GENERAL TOLERANCE: X.X = ± 0.4
X.XX = ± 0.25
 - TERMINAL NOS. FOR REF. ONLY
 - FUNCTION: SPDT
 - RATING: 2A @ 48VDC
 - ILLUMINATION VOLTAGE: 1.8V FORWARD, 2.8V REVERSE
 - CONTACT RESISTANCE: 50mΩ MAX. @ 1A 12VDC
 - INSULATION RESISTANCE: 1,000MΩ @ 500VDC
 - DIELECTRIC STRENGTH: 2,000VAC MIN. FOR 1 MINUTE
 - ELECTRICAL LIFE: 50,000 CYCLES
 - OPERATING TEMPERATURE: -40°C TO 70°C
 - INGRESS PROTECTION: IP65
 - SUPPLIED HARDWARE: O-RING AND HEXNUT
 - ▲ DENOTES CRITICAL PARAMETER
 - 2002/95/EC (ROHS) COMPLIANT
 - ▲ ILLUMINATION COLOR: RED (FORWARD), GREEN (REVERSE)
 - ▲ CONTACT PLATING: GOLD



TITLE PV8F2V1SSG-3G1

A	20986	RELEASE FOR PRODUCTION	1/25/13	EBP
REV	PCR NO	DESCRIPTION	DATE	BY

THE INFORMATION CONTAINED IN THIS DOCUMENT IS PROPRIETARY TO E-SWITCH AND IS NOT TO BE COPIED OR TRANSFERRED

SCALE	DATE	DR	DWG	REV
	1/25/2013	EBP	52-PV8F2V1SSG3G1	A