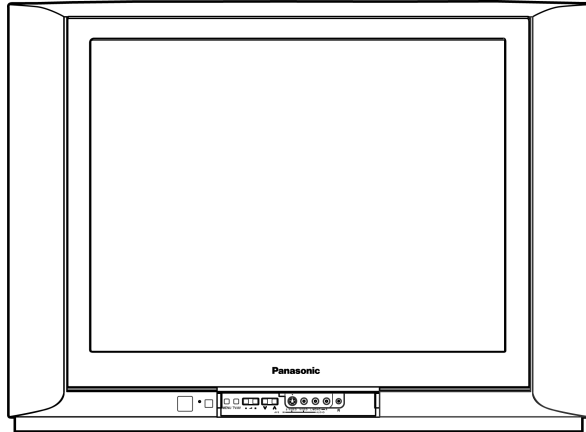


Service Manual

Colour Television



TX-29F350T

GP21 Chassis

Specifications

Power Source :	AC SINGLE 220-240V, 50/60Hz		
Power Consumption :	110W	Sound	Video 38.0 MHz
Aerial Impedance :	75Ω unbalanced		31.5 MHz (D, K, K1)
	Coaxial type		32 MHz (I)
Receiving System :	17 Systems		32.5 MHz (B, G)
Receiving Channels :			33.5 MHz (M)
VHF		Colour	33.57 MHz (PAL)
2 - 12	PAL/SECAM B, K1		33.6 MHz (SECAM)
0 - 12	PAL B (AUST.)		33.75 MHz (SECAM)
1 - 9	PAL B (N.Z.)		34.42 MHz (NTSC)
1 - 12	PAL/SECAM D		
1 - 12	NTSC M (JAPAN)		
2 - 13	NTSC M (U.S.A)		
UHF			
21 - 69	PAL G, H, I/SECAM G, K, K1		
28 - 69	PAL B (AUST.)		
13 - 57	PAL D, K		
13 - 62	NTSC M (JAPAN)		
14 - 69	NTSC M (U.S.A.)		
CATV			
S1 - S20	(OSCAR)		
1 - 125	(U.S.A. CATV)		
C13 - C49	(JAPAN)		
S21 - C41	(HYPER)		
Z1 - Z37	(CHINA)		
5A, 9A	(AUST.)		
Intermediate Frequency :			
		Video / Terminals :	
		AV 1, 2	Y:1 Vp-p, 75Ω
		S-Video In	C:0.3 Vp-p, 75Ω
		DVD	
		Y	1.0 Vp-p, 75Ω
		PB	0.7 Vp-p, 75Ω
		YR	0.7 Vp-p, 75Ω
		AV 1, 2, 3, 4	
		Video In	1 Vp-p, 75Ω
		Audio In	Approx. 0.5V, 47kΩ
		Monitor Out	Video Out 1 Vp-p, 75Ω
			Audio Out Approx. 0.5V, 1kΩ
		High Voltage :	30.5±1.0V
			at zero beam current
		Picture Tube :	A68LZU185X-E
			67.6cm (29 inches)
			Measured diagonally,

Panasonic®

© 2006 Matsushita Electric Industrial Co., Ltd. All rights reserved. Unauthorized copying and distribution is a violation of law.

90° deflection
Audio Output : 10W+10W = 20W
Dimensions : Height : 578 mm
 Width : 786 mm
 Depth : 508 mm

Mass : 43 kg (Net Wt.)

Specifications are subject to change without notice.
 Mass and dimensions shown are approximate.

WARNING

This service information is designed for experienced repair technicians only and is not designed for use by the general public. It does not contain warnings or cautions to advise non-technical individuals of potential dangers in attempting to service a product. Products powered by electricity should be serviced or repaired only by experienced professional technicians. Any attempt to service or repair the product or products dealt with in this service information by anyone else could result in serious injury or death.

CONTENTS

	Page		Page
1 Safety Precautions	3	2.6. PAL Colour	8
1.1. General Guide Lines	3	2.7. Adjustment	8
1.2. Leakage Current Cold Check	3	3 Conductor Views	12
1.3. Leakage Current Hot Check (Fig. 1)	3	4 Schematic Diagram	13
1.4. X-Radiation	3	4.1. D Board	15
1.5. GP21 Chassis Block Diagram	4	4.2. A Board	20
2 Service Hints	5	4.3. L Board	25
2.1. Service Position for E-Board	5	4.4. G Board	29
2.2. Factory Mode Adjustment	5	5 Parts Locations	32
2.3. Adjustment for White Balance	6	6 Replacement Parts List	33
2.4. Adjustment for CRT CUT OFF	6	6.1. Replacement Parts List	34
2.5. Adjustment Procedure	7		

1 Safety Precautions

1.1. General Guide Lines

1. It is advisable to insert an isolation transformer in the AC supply before servicing this hot chassis.
2. When servicing, observe the original lead dress, especially the lead dress in the high voltage circuits. If a short circuit is found, replace all parts which have been overheated or damaged by the short circuit.
3. After servicing, see to it that all the protective devices such as insulation barriers, insulation papers, shields and isolation R-C combinations, are properly installed.
4. When the receiver is not to be used for a long period of time, unplug the power cord from the AC cord outlet.
5. Potential, as high as **31.5kV** is present when this receiver is in operation. Operation of the receiver without the rear cover involves the danger of a shock hazard from the receiver power supply. Servicing should not be attempted by anyone who is not thoroughly familiar with the precautions necessary when working on high voltage equipment. Always discharge the anode of the picture tube to the receiver chassis before handling the tube. After servicing make the following leakage current checks to prevent the customer from being exposed to shock hazards.

1.2. Leakage Current Cold Check

1. Unplug the AC cord and connect a jumper between the two prongs on the plug.
2. Turn on the receiver's power switch.
Measure the resistance value, with an ohmmeter, between the jumper AC plug and each exposed metallic cabinet part on the receiver, such as screw heads, aerials, connectors, control shafts, etc. When the exposed metallic part has a return path to the chassis, the reading should be between 4 M Ω and 20 M Ω . When the exposed metal does not have a return path to the chassis, the reading must be infinite.

1.3. Leakage Current Hot Check (Fig. 1)

1. Plug the AC cord directly into the AC outlet. Do not use an isolation transformer for this check.
2. Check a 2 k Ω non-inductive resistor and an AC/DC current meter, in series with each exposed metallic part on the receiver in turn and an earth such as a water pipe.

The current from any point should not exceed 0.7 mA peak AC or 2 mA DC. In the case of a measurement being outside of these limits specified, there is a possibility of a shock hazard and the receiver should be repaired and rechecked before it is returned to the customer.

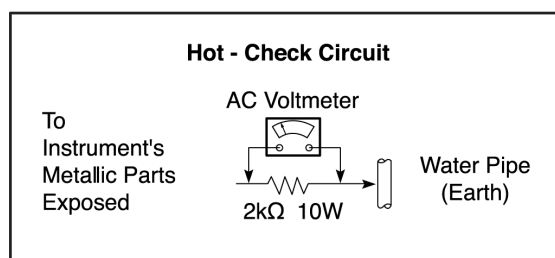


Fig. 1

1.4. X-Radiation

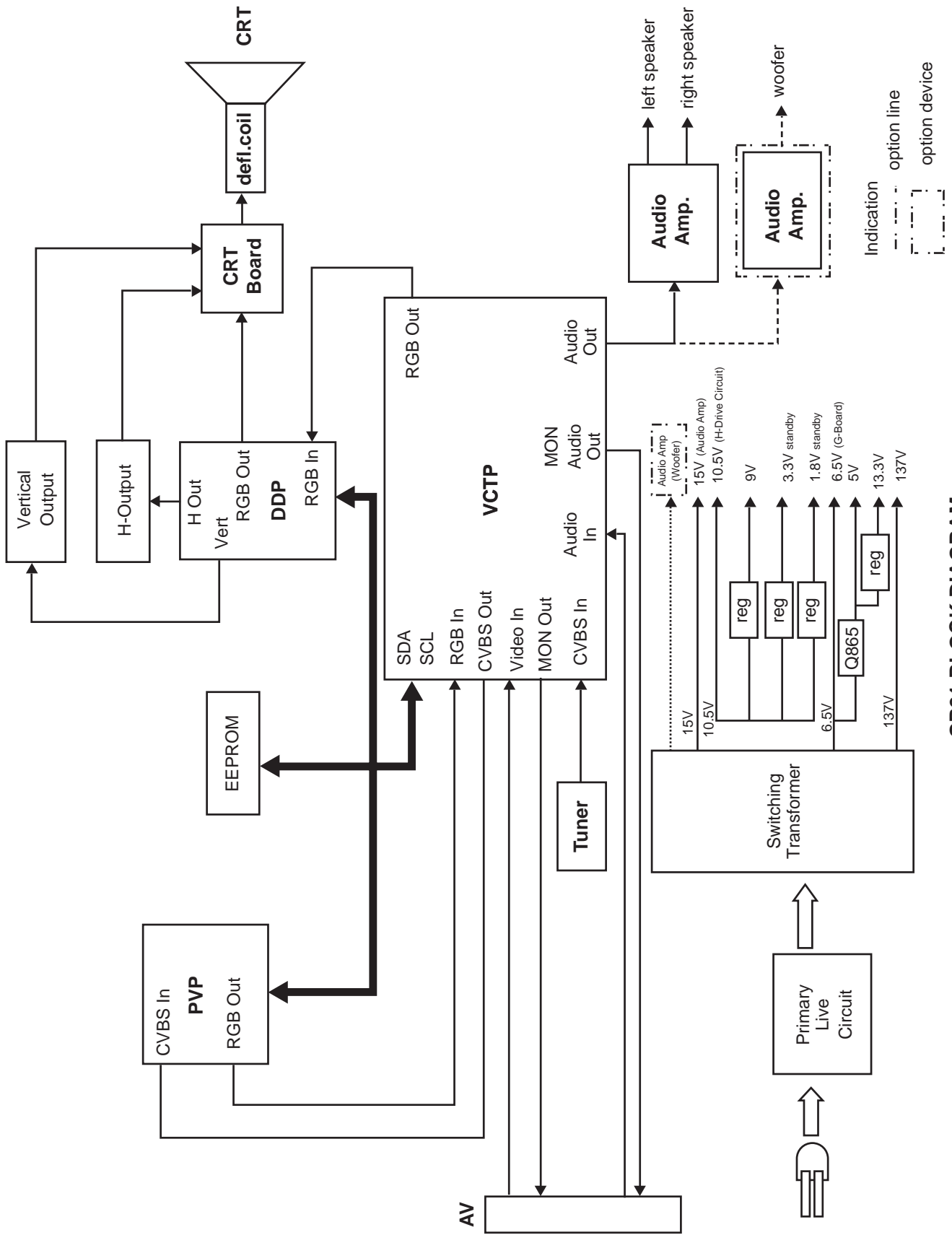
Warning:

The potential sources of X-Radiation in TV set are the EHT section and the picture tube. When using a picture tube test jig for service, ensure that jig is capable of handling **31.5kV** without causing X-Radiation.

Note: It is important to use an accurate periodically calibrated high voltage meter.

1. Set the brightness to minimum.
2. Use the remocon to get into Service Mode.
3. Measure the EHT. The meter reading should indicate **30.5 \pm 1.0kV**. If the meter indication is out of tolerance, immediate service and correction is required to prevent the possibility of premature component failure.
4. To prevent the possibility X-Radiation, it is essential to use the specified picture tube, if service replacement becomes necessary.

1.5. GP21 Chassis Block Diagram



GP21 BLOCK DIAGRAM

2 Service Hints

2.1. Service Position for E-Board

1. Remove the back cover.
2. Stand the TV set as shown in Fig. 2.
3. Remove the A-Board from the TV set by pulling the main board out as shown in Figure 2.

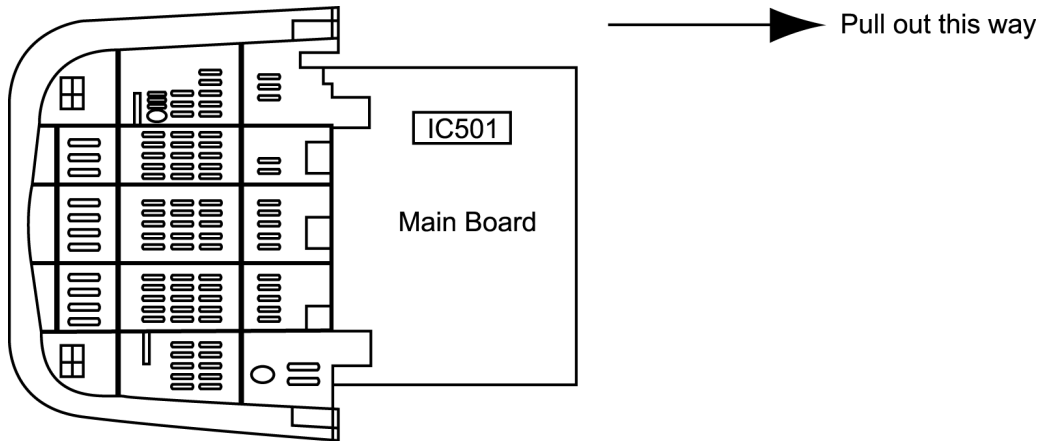


Fig. 2

2.2. Factory Mode Adjustment

How to set :

To set the Factory mode, press Volume 0 dac on the TV and Timer Setting 30 min. on the remote control and press Volume (-) Down button on the TV together press recall on the remote control.

CHK should appear on right of TV screen.

To Set Self-Check :

Press the Volume Down button on TV then press the Off Timer button on remote control.

2.3. Adjustment for White Balance

Preparation:

1. Receive the white balance pattern and aging should have been performed over 30 minutes.
2. Set the picture menu to DYNAMIC NORMAL.
3. Degauss the CRT face.
4. Fix the CRT colour analyzer receiver unit to CRT face.

Adjustment of Low Light.

1. Adjustment Sub Bright, so that $Y = 6.5 \pm 1.0$ nit.
2. Adjustment R-CUT OFF, so that $X = 0.241 \pm 0.005$ nit.
3. Adjustment G-CUT OFF, so that $Y = 0.241 \pm 0.005$ nit.

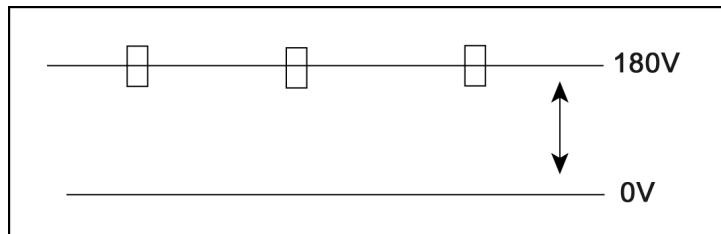
Adjustment of High Light

1. Adjustment Sub Bright, so that $Y = 190$ nit.
2. Adjustment R-Drive, so that $X = 0.255 \pm 0.003$ nit.
3. Adjustment B-Drive, so that $Y = 0.258 \pm 0.003$ nit.

2.4. Adjustment for CRT CUT OFF

Preparation:

1. Connect the oscilloscope probe to TPL7.
2. Screen VR min.
3. Set the data Sub Bright, Bright.
4. In service Mode at "Bright" dac press [5] in factory mode to enter vertical line and adjust by volume down or up button.
5. Adjust "Screen VR" until 1-H Line appears.



2.5. Adjustment Procedure

2.5.1. +B Voltage

Item / preparation

1. Operate the TV set.
2. Set control as follows :
Brightness minimum
Contrast minimum

Adjustment procedure

1. Confirm the DC voltage at the indicated test points, as follows :
TPD 023 ~ GND : $136.0V \pm 1V$
TPD 021 ~ GND : $10.8V \pm 1V$
TPD 012 ~ C858(-) : $16.5 \pm 2V$

2.5.2. High Voltage

Item / preparation

1. Receive the crosshatch pattern.
2. Set to 0 Beam.
Screen VR minimum
Contrast minimum

Adjustment procedure

1. Connect a DC voltage meter to TPD 023 and confirm the +B voltage is $136.0 \pm 1V$.
2. Connect a high frequency voltmeter to heater and confirm that voltage reads 6.3 ± 0.3 (VRMS).
3. Normalize the brightness and contrast.

2.6. PAL Colour

1. Receive the PAL B/G studio colour bar pattern and adjust local frequency at the best tuned position.
2. Pic Menu: Dynamic Normal, Confirm Contrast - 100 DAC, Sub Contrast - 21 dac.
3. Channel colour set ----- STD
4. "CHK2" and press digit key "5" (AKB OFF) also confirm OSD become blue colour.
5. Set (A) to $0.3 \pm 0.1V$ by BRT (CHK2) at measurement point TPL 2 Fig. 4.

2.7. Adjustment

1. Connect oscilloscope probe to TPL 7 (G OUT) with 10k Ω series resistor and adjust Contrast so that (B) as in Fig. 4 is $1.85 \pm 0.2V$.
2. Adjust "Sub Colour" so that waveform as in Fig. 4 (1) $2.5 \pm 0.1V$.
3. Connect oscilloscope probe to TPL 1 (R OUT) with 10k Ω series resistor and confirm waveform as in Fig. 5 is (2) $2.7 \pm 0.4V$.
4. Press digit key "5" (AKB ON) and confirm the OSD become white colour.

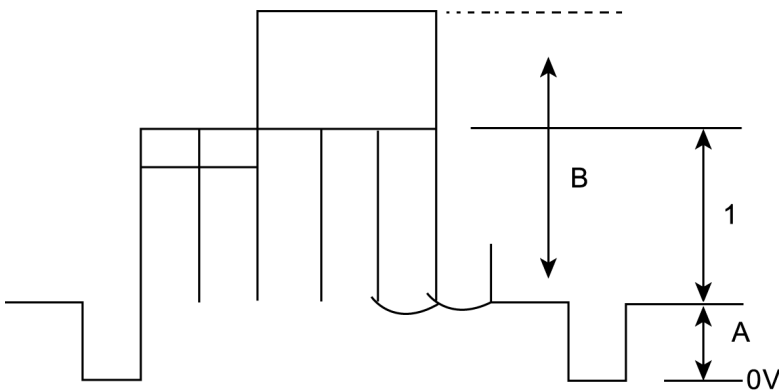


Fig. 4

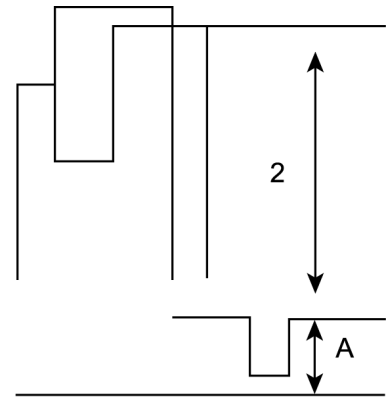


Fig. 5

Before Colour Purity, Convergence and White Balance adjustment are attempted, V. Height, H. Centre and Focus adjustments must be completed.

Colour Purity

1. Set the Brightness and Contrast controls to their maximum positions.
2. Operate the TV set for 60 minutes.
3. Fully degauss the picture tube by using an external degaussing coil.
4. Apply a crosshatch pattern signal and adjust the static convergence magnets to the approximately correct position.
5. Receive a black and white signal.
6. Set the control as follows:
 Red.....minimum
 Green.....minimum
 Blue.....minimum
 Press the Shipping button on the remote control twice to select CRT Adjustment Mode to select low light.
7. Loosen the clamp screw for the Deflection Yoke A in Fig. 10 and move the Deflection Yoke as close to the purity magnet as possible.
8. Adjust the purity magnetic rings so that a vertical green field is obtained at the centre of the screen.

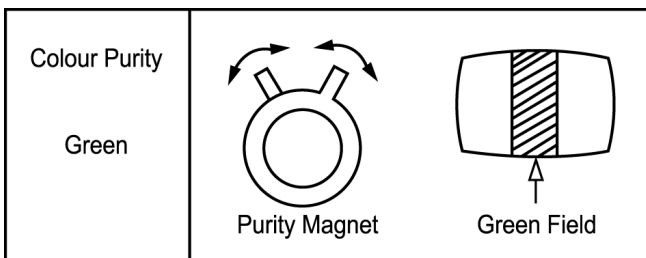


Fig. 6

9. Slowly push the Deflection Yoke and set it where a uniform green field is obtained.

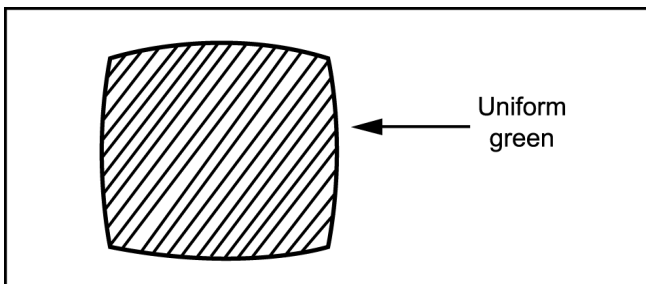


Fig. 21

10. Re-adjust the Low Light controls to their correct settings and make sure that a uniform white field is obtained.
11. Tighten the clamp screw A in Fig. 10.

Convergence

1. Apply a crosshatch pattern signal and Normalize Contrast control to the maximum positions.
2. Adjust Brightness until the grey position of the crosshatch pattern just becomes black.
3. Adjust the Red and Blue line at the centre of the screen by rotating the R-B static.

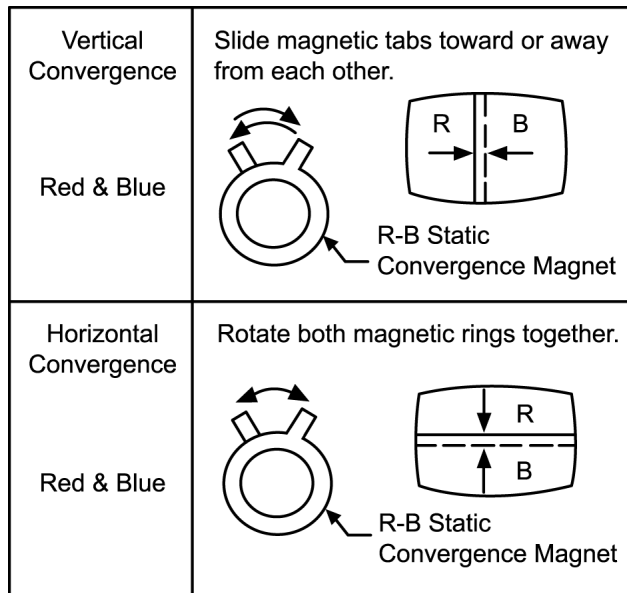


Fig. 8

4. Adjust Red and Blue with Green line at centre of the screen by rotating (RB)-G static convergence magnetic rings.
5. Lock convergence magnets with silicone sealer.
6. Remove the DY wedges and slightly tilt the Deflection Yoke vertically and horizontally to obtain the good overall convergence.

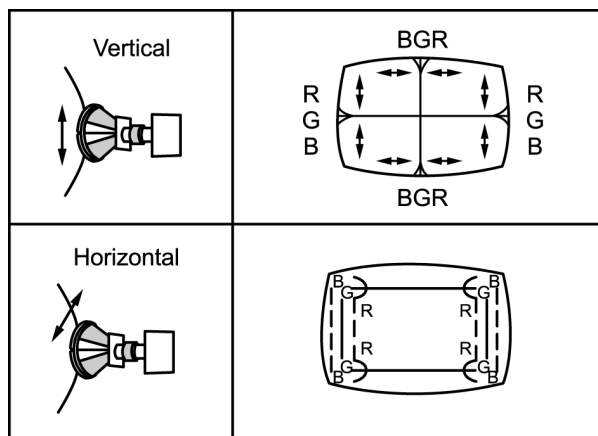


Fig. 9

7. Fix the Deflection Yoke by reinserting the DY wedges. Refer to Fig. 10.
8. If purity error is found, repeat "Colour Purity" adjustment.

Adjustment of CRT VRS

1. Preparation

- a. Set DY to CRT not to tilt up and down left and right deflection.
- b. Set CY to CRT and set CY magnet primarily (Fig. 1)
 Purity magnet : Set purity magnet that 2 magnets are (TOP POSITION)
 VRS magnet : Set purity magnet 2 magnets are (HORIZONTAL POSITION)

2. Adjustment

- a. Receive that Cross Hatch pattern.
- b. Adjust V-SHIFT -50Hz.
- c. Set 2 magnets of horizontal position to up and down equally so that it will be the center part of CRT. (Fig. 2)

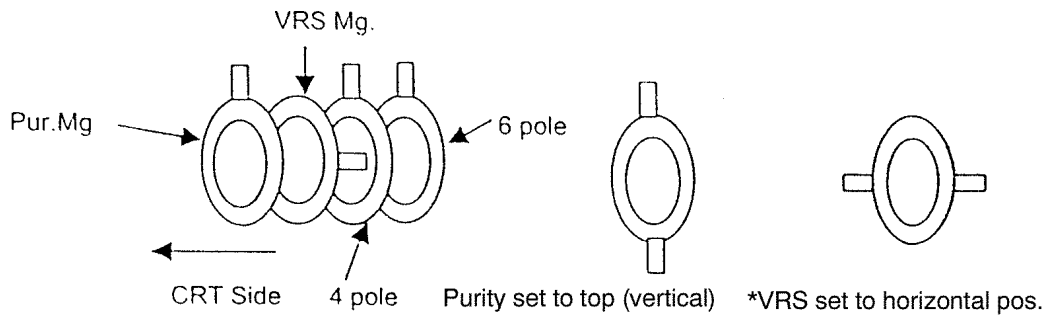
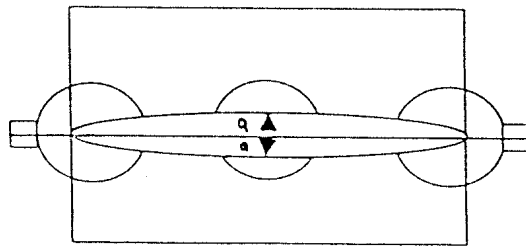


FIG 1.



$$a \leq 0 \pm 1\text{mm}$$

FIG 2.

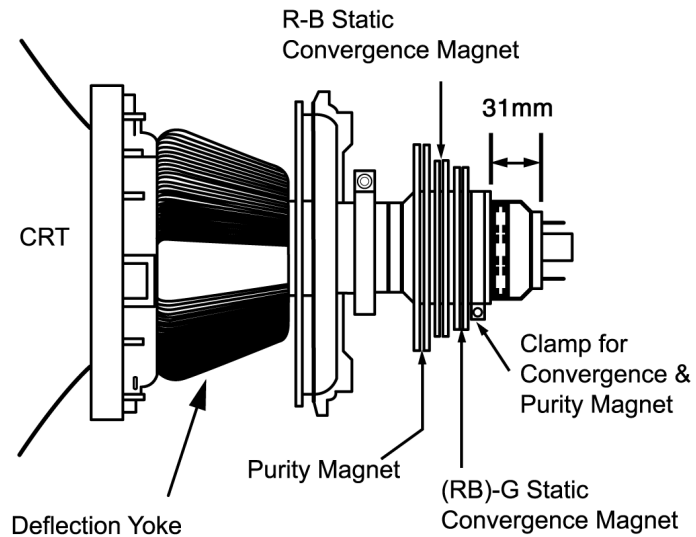


Fig. 10

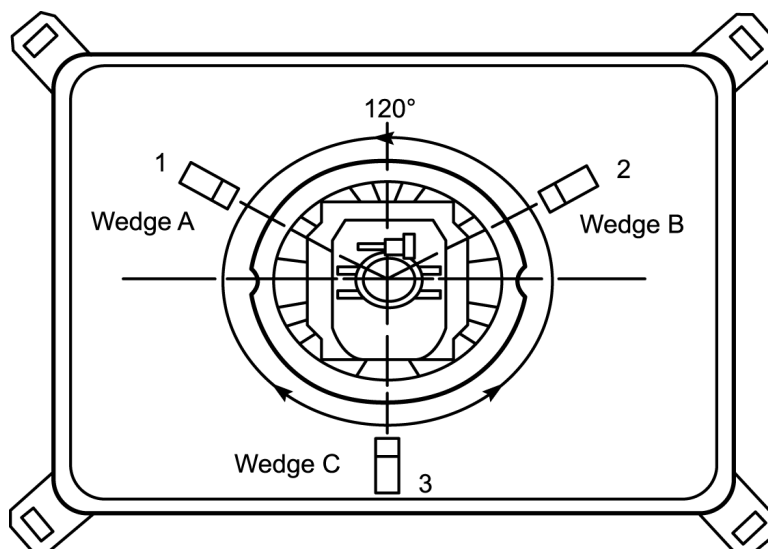
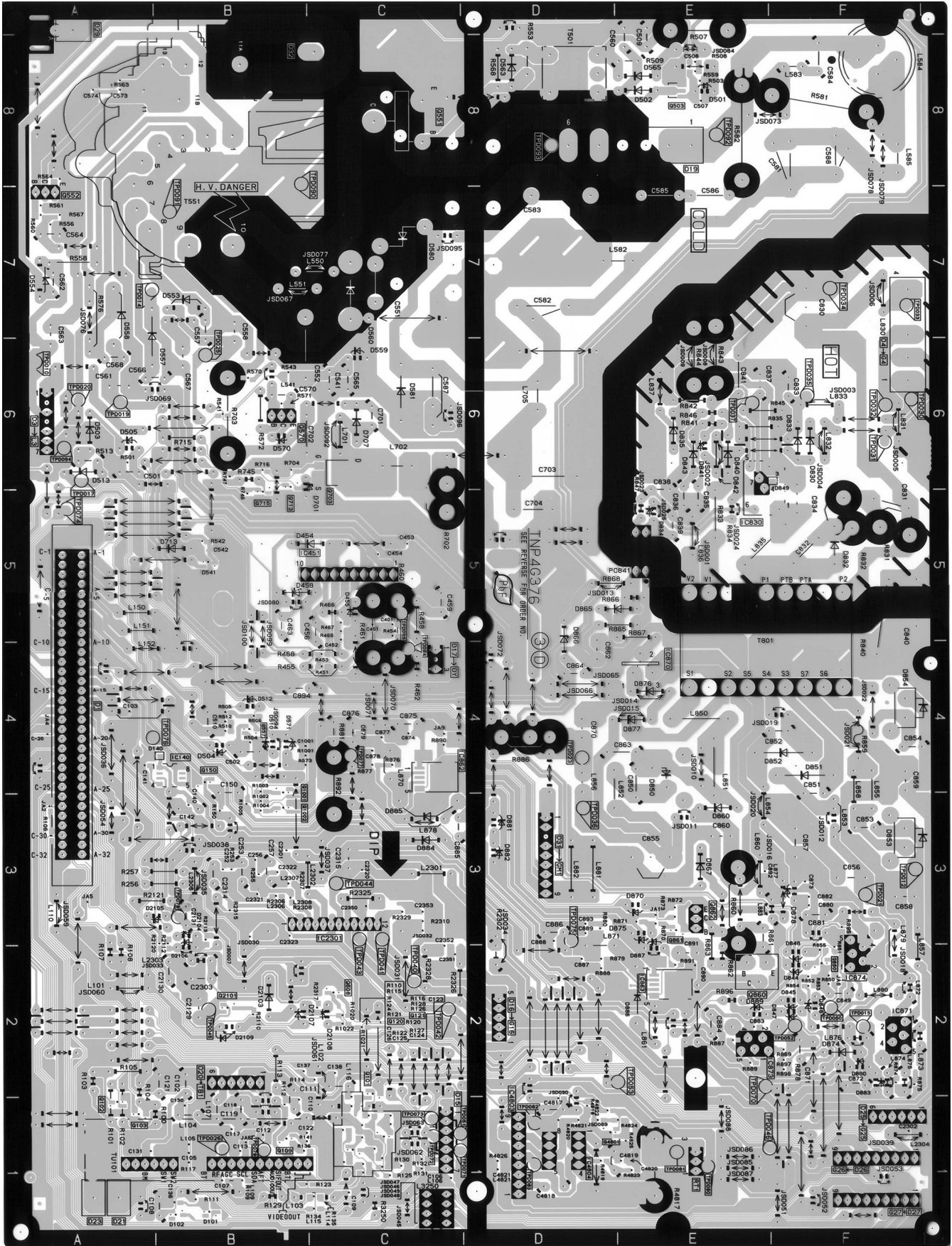


Fig. 11

Notes:


1. Wedge A, B and C should be inserted following the sequence of 1, 2 and 3 shown in Fig. 11.
2. The wedges should be set 120° apart from each other.
3. Be certain that three wedges are firmly fixed and the Deflection Yoke is tightly clamped in place. Otherwise the Deflection Yoke may shift its position and cause a loss of convergence and purity.

3 Conductor Views



4 Schematic Diagram

Important Safety Notice







Components identified by  mark have special characteristics important for safety. When replacing any of these components, use only manufacturer's specified parts.

Notes :

1. Resistor

All resistors are carbon 1/4W resistors unless marked as follows :









Unit of resistance is OHM (Ω) (K = 1 000 M = 1 000 000)

	Nonflammable		Metal Oxide
	Solid		Metal Film
	Wire Wound		Fuse

2. Capacitor

All capacitors are ceramic 50V capacitors unless marked as follows :

Unit of capacitance is μF unless otherwise noted.

	Temperature Compensation		Electrolytic
	Polyester		Bipolar
	Metalized Polyester		Dipped Tantalum
	Polypropylene		Z-Type



3. Coil

Unit of inductance is μH , unless otherwise noted.

4. Test Point

 : Test Point position

5. Earth Symbol

 : Chassis Earth (Cold)  : Line Earth (Hot)

6. Voltage Measurement

Voltage is measured using DC voltmeter.

Conditions of the measurement are the following :

Power Source..... AC AUTO 110-240V, 50/60Hz

Receiving Signal.....Colour Bar signal (RF)

All customer's controls.....Maximum positions

7. Number in red circle indicates waveform number.

(See waveform pattern table.)

8. When arrow mark (↗) is found, connection is easily found from the direction of arrow.

9. → : Indicates the major signal flow.

10. This schematic diagram is the latest at the time of printing and subject to change without notice.

Remarks :

The Power Circuit contains a circuit area which uses a separate power supply to isolate the earth connection.

The circuit is defined by HOT and COLD indications in the schematic diagram.

Take the following precautions :

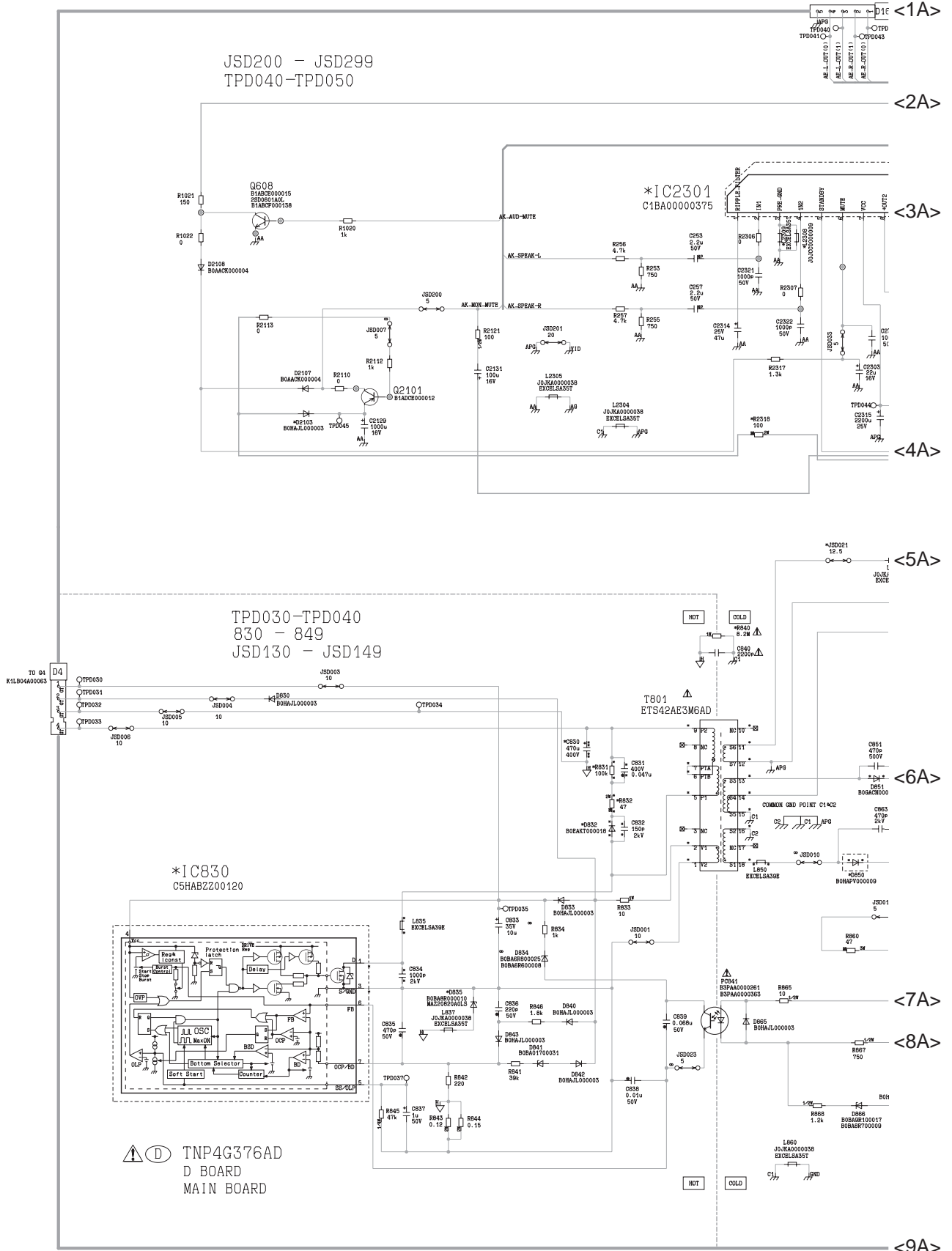
All circuits, except the Power Circuit are cold.

Precautions :

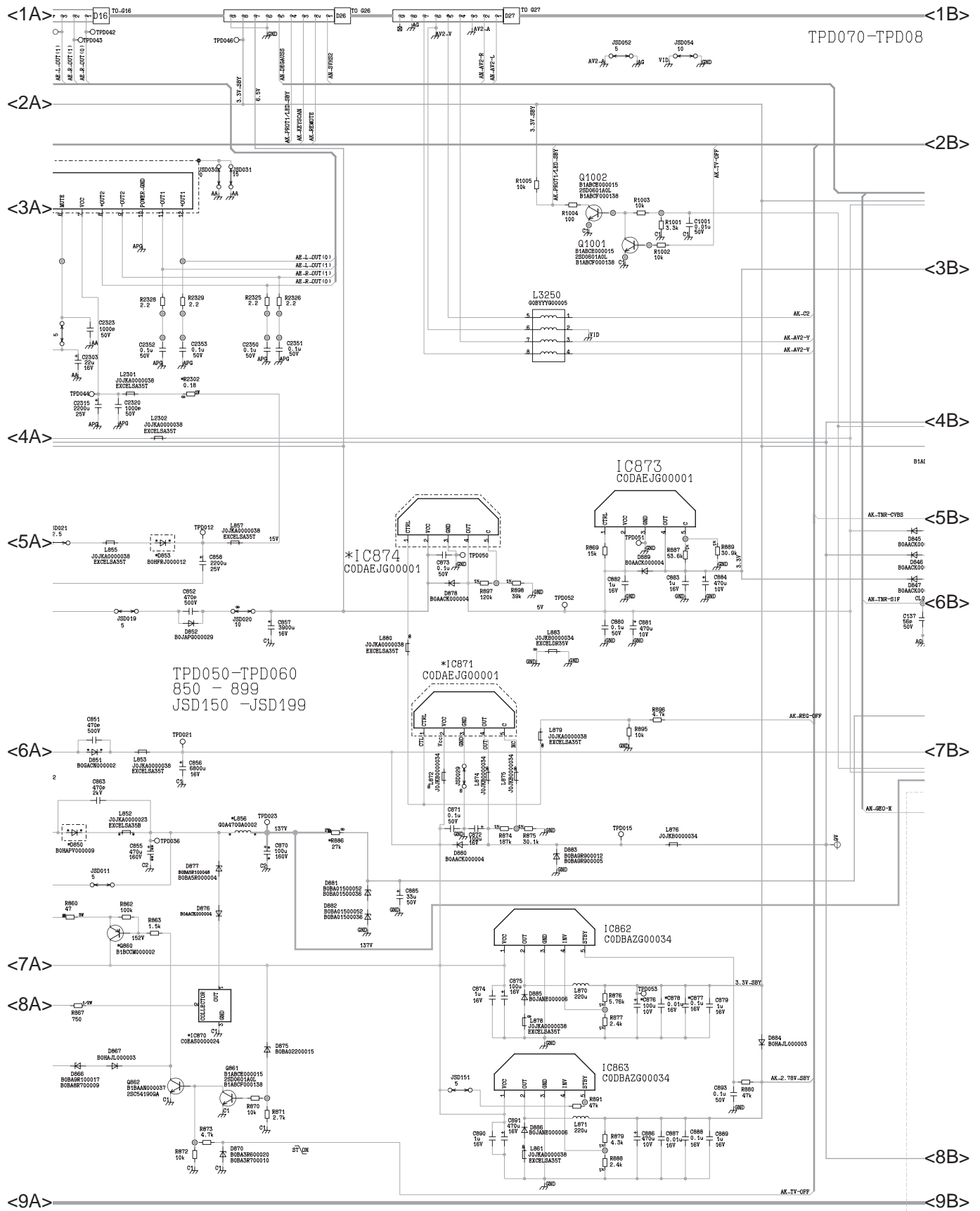
- a. Do not touch the hot part or the hot and cold parts at the same time or you may be shocked.
- b. Do not short-circuit the hot and cold circuits or a fuse may blow and parts may break.
- c. Do not connect an instrument such as an oscilloscope to the hot and cold circuits simultaneously or a fuse may be blown.
Connect the earth of instruments to the earth connection of the circuit being measured.
- d. Make sure to disconnect the power plug before removing the chassis.

4.1. D Board

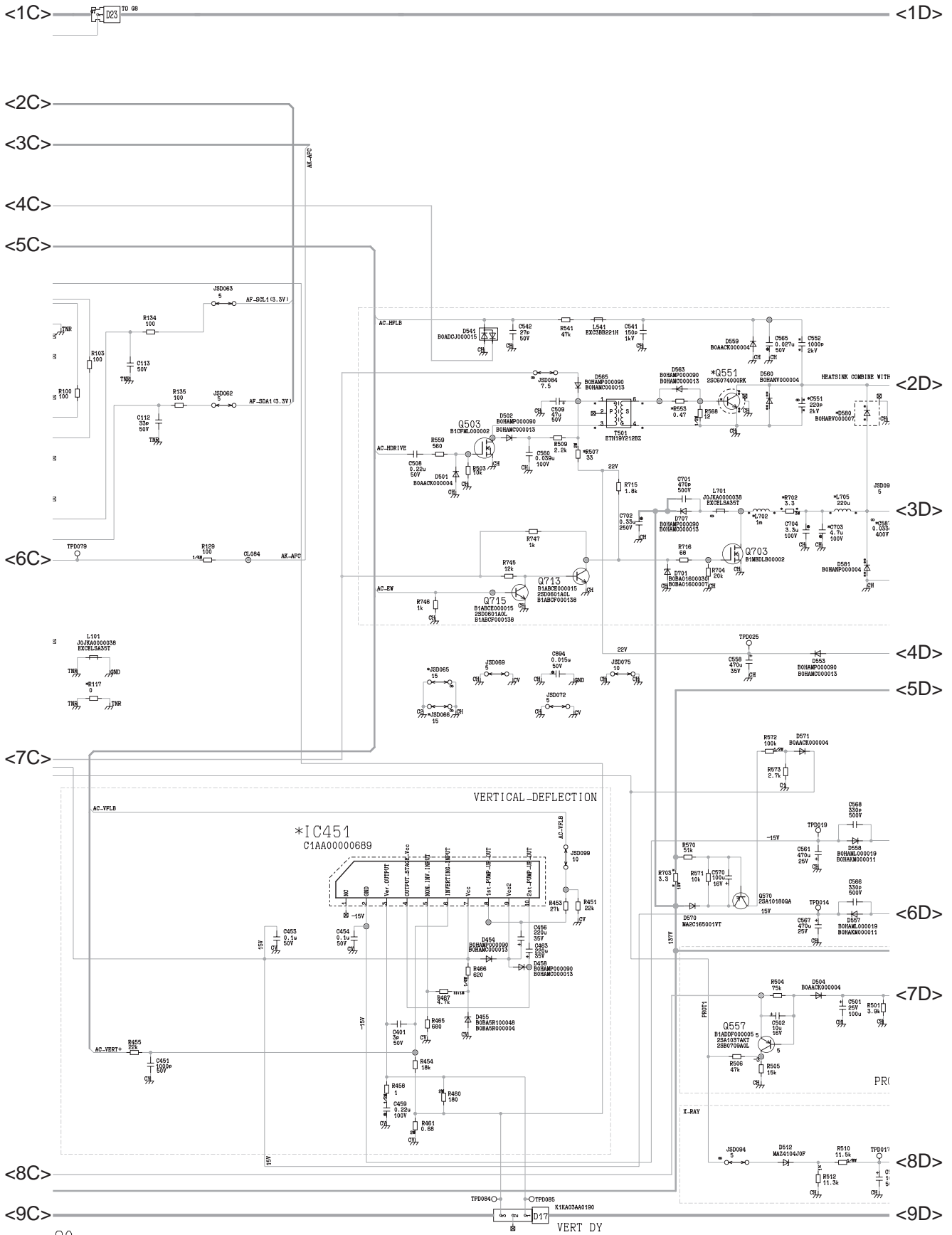
4.1.1. D Board (1/5)



4.1.2. D Board (2/5)

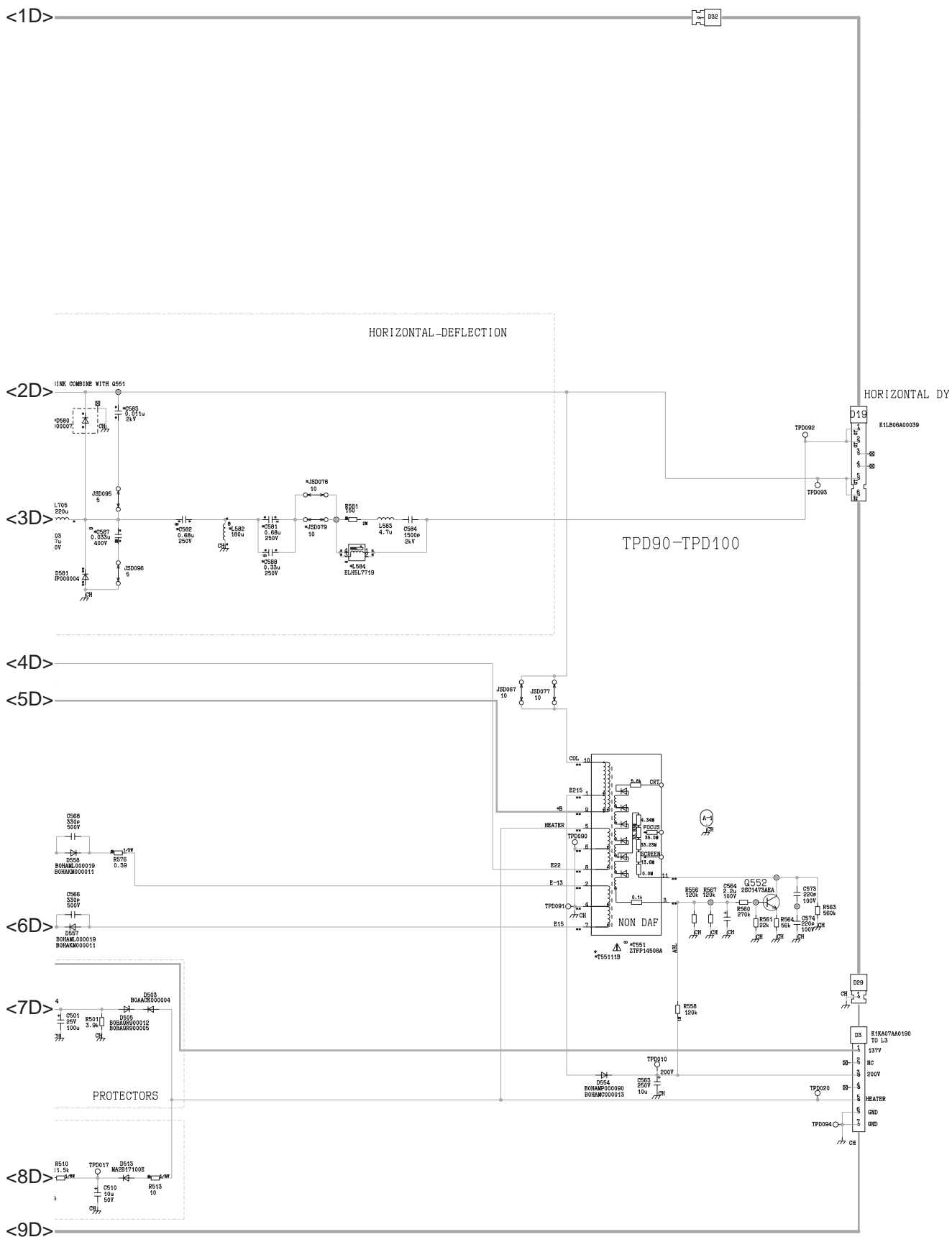


4.1.4. D Board (4/5)



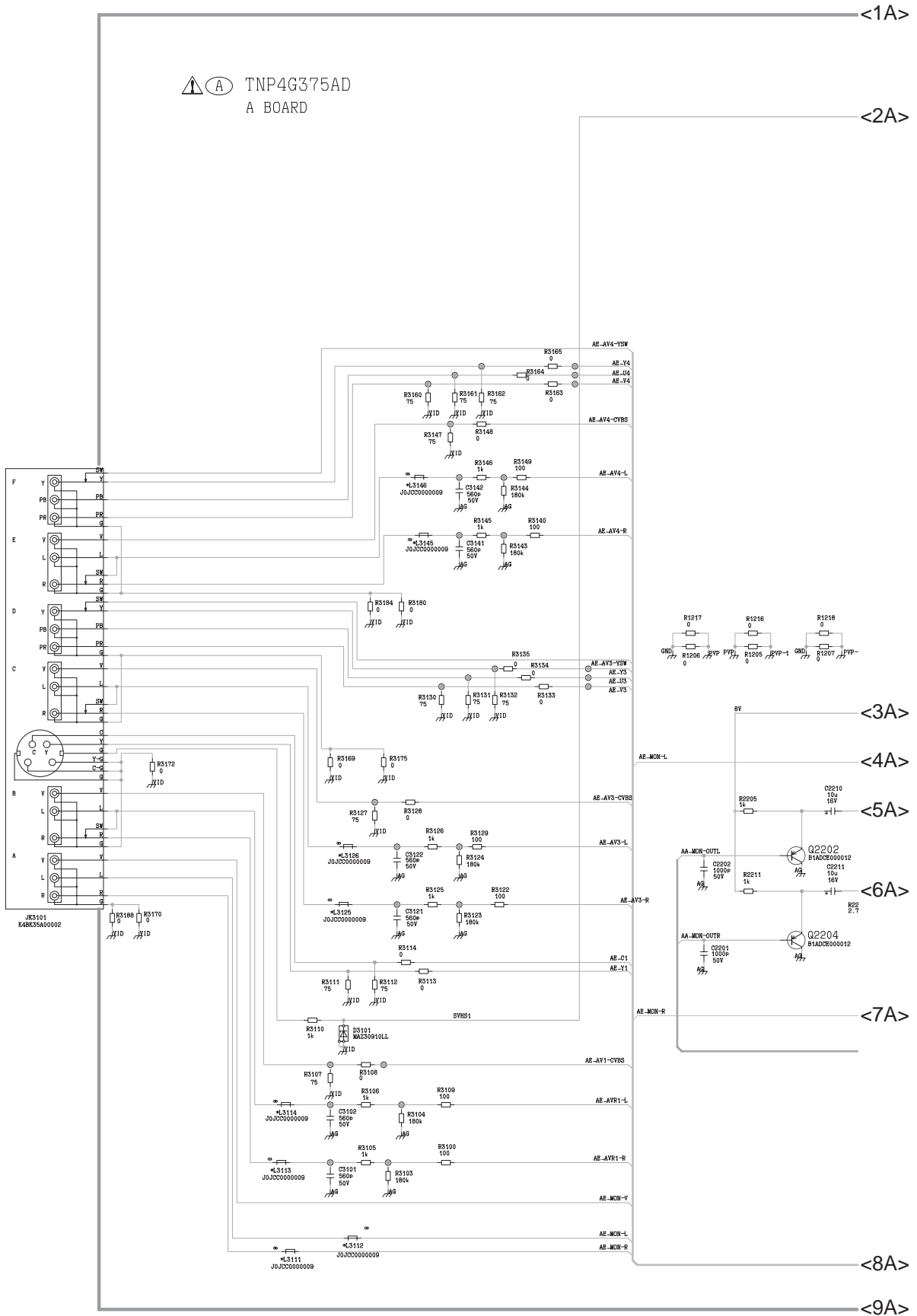
90

4.1.5. D Board (5/5)

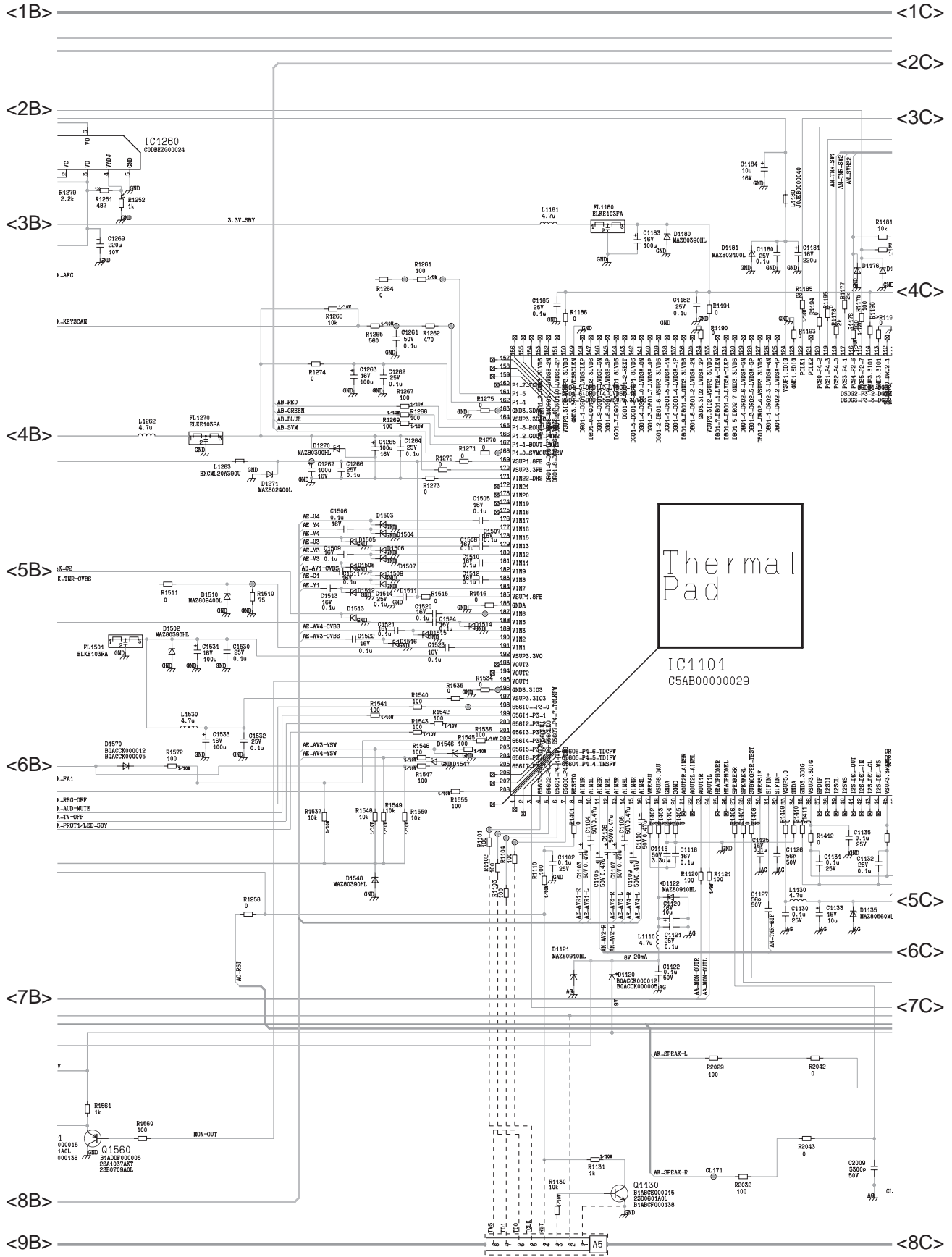


4.2. A Board

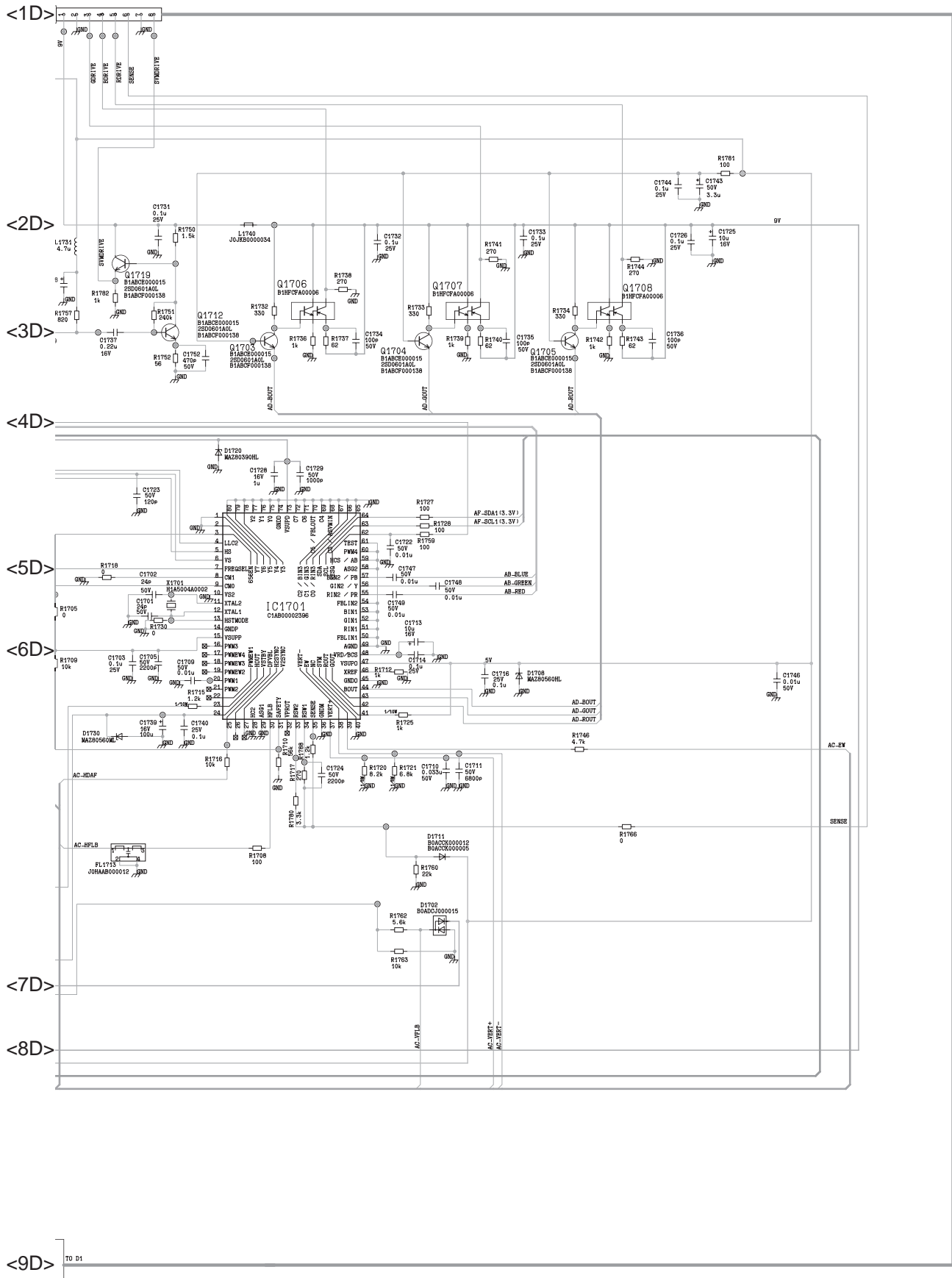
4.2.1. A Board (1/5)



4.2.3. A Board (3/5)

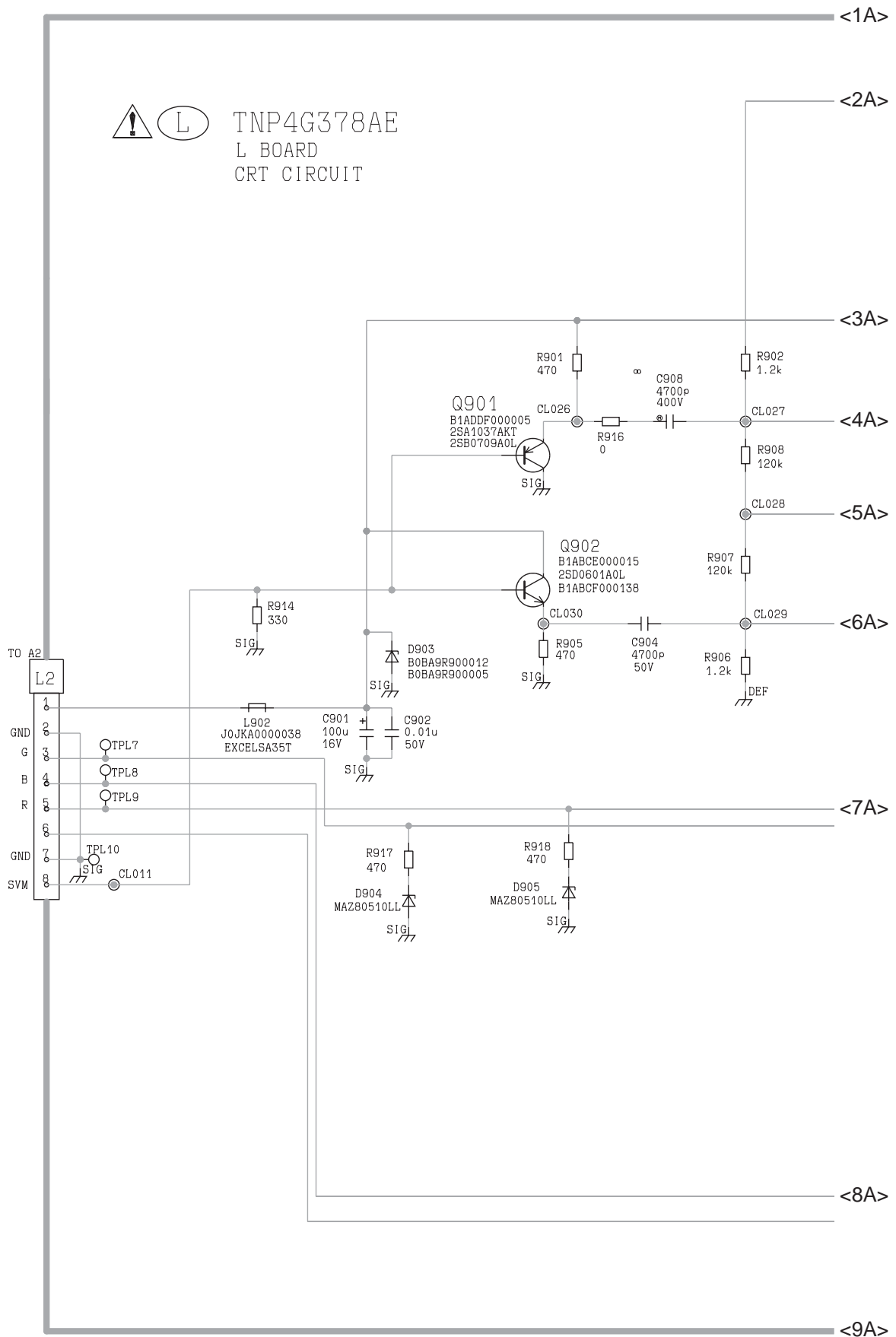


4.2.5. A Board (5/5)

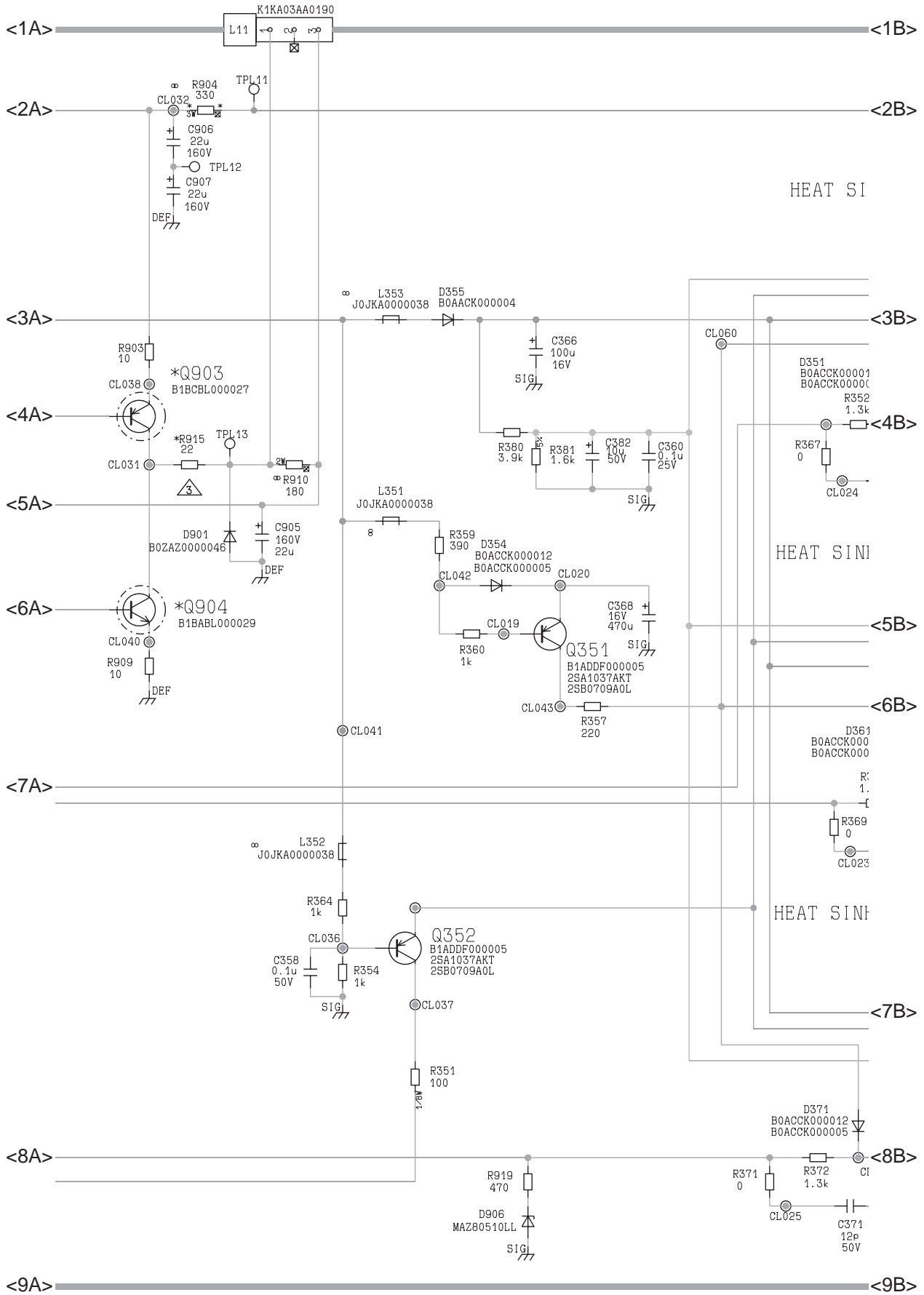


4.3. L Board

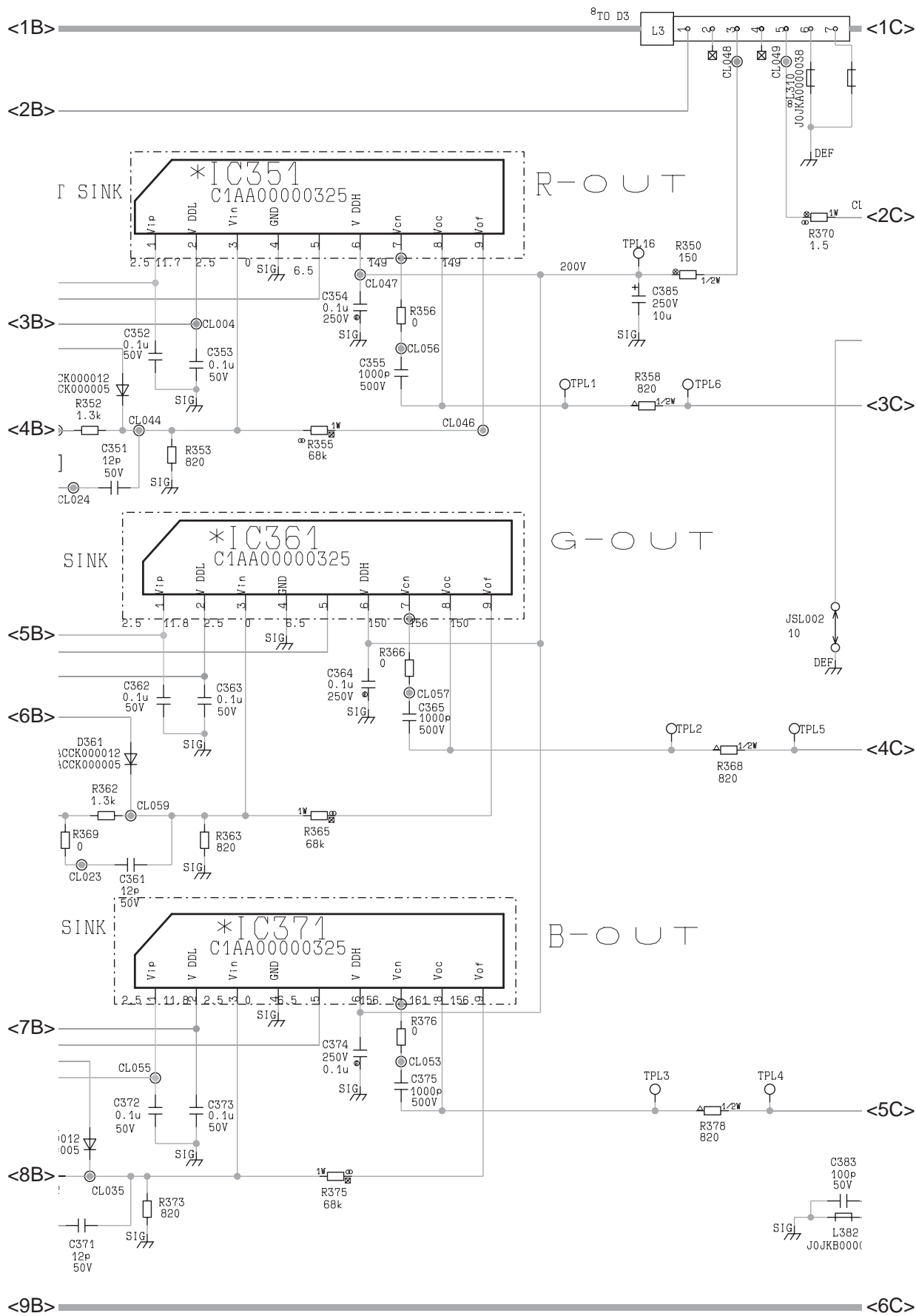
4.3.1. L Board (1/4)



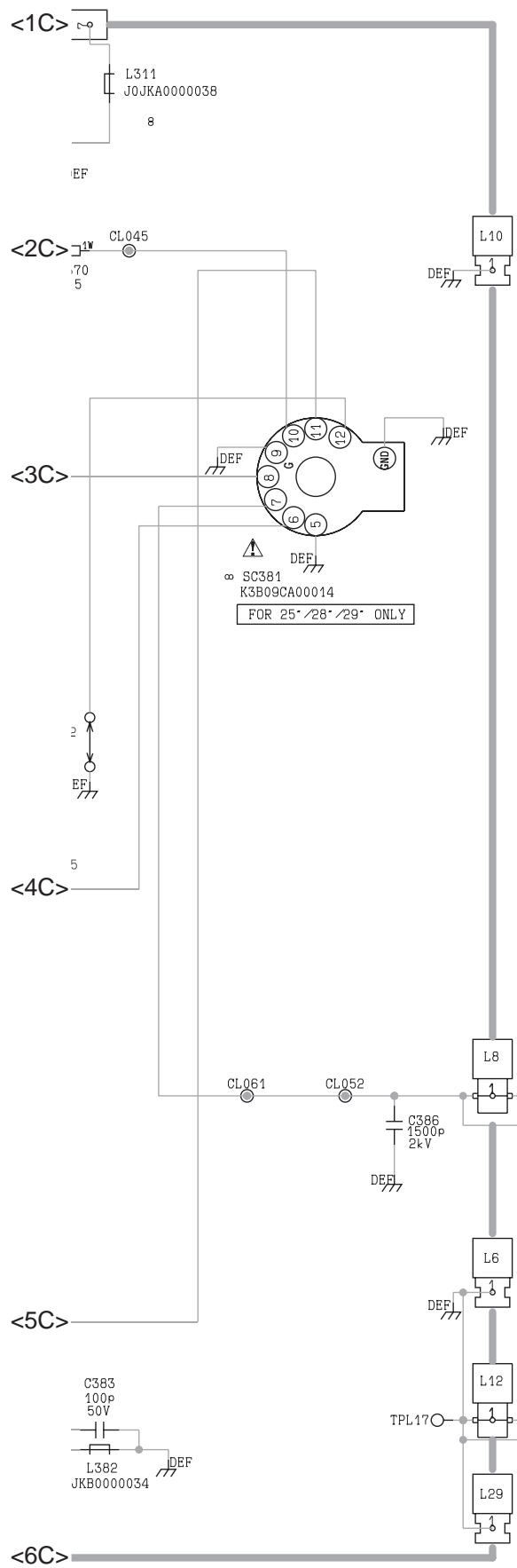
4.3.2. L Board (2/4)



4.3.3. L Board (3/4)

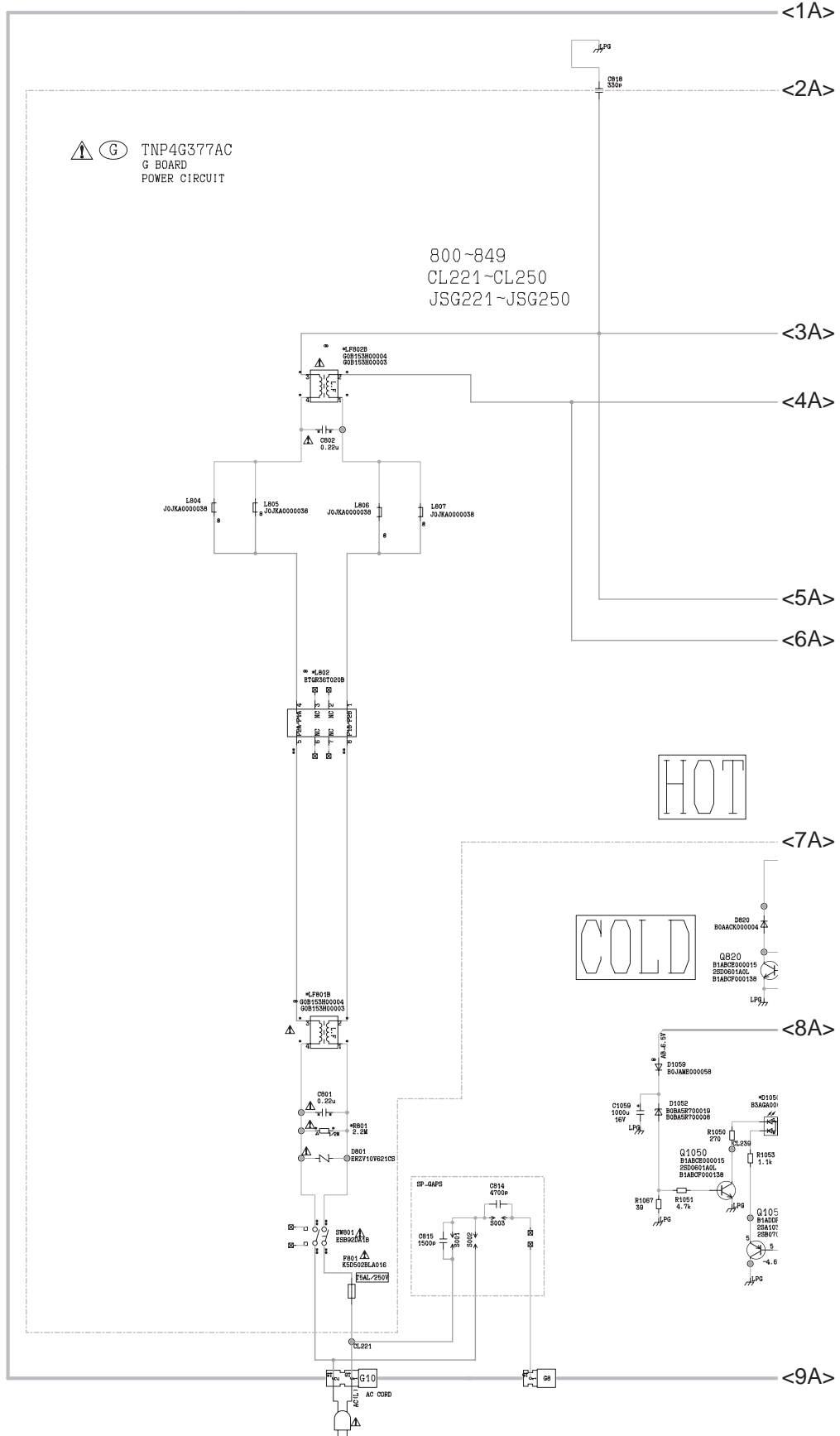


4.3.4. L Board (4/4)

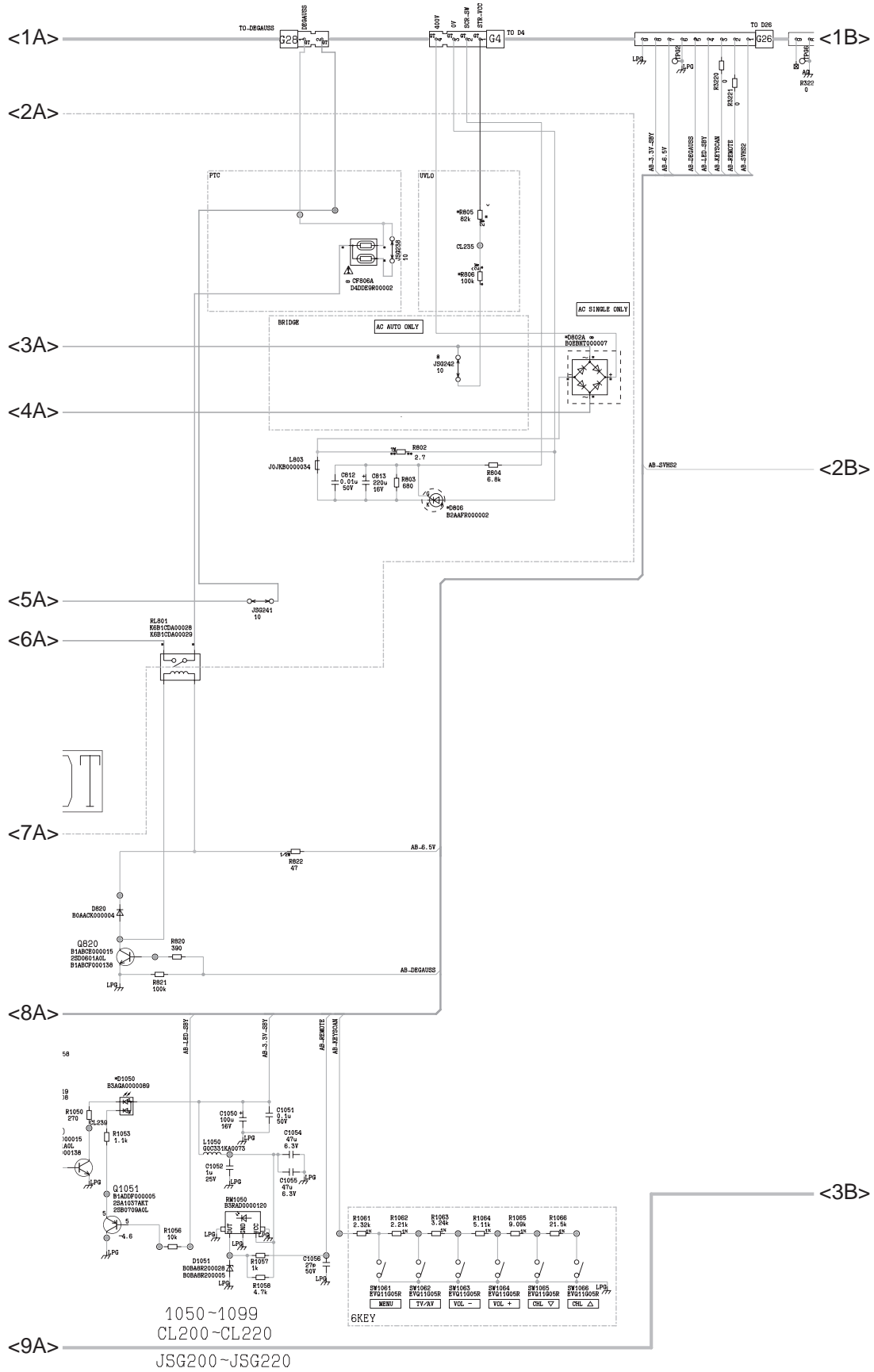


4.4. G Board

4.4.1. G Board (1/3)



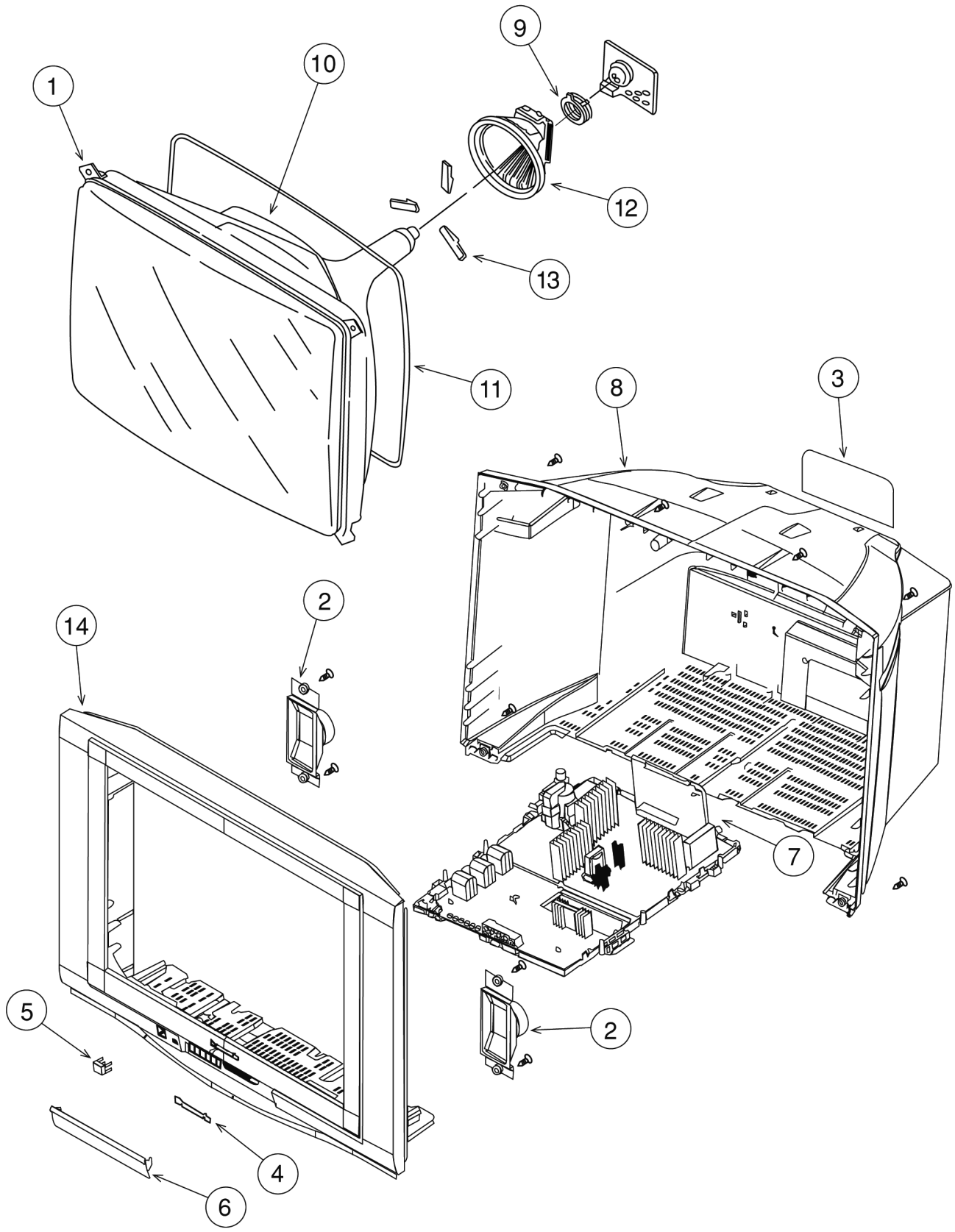
4.4.2. G Board (2/3)



5 Parts Locations


PARTS LOCATION

Note: The number on mechanical parts indicates Ref. No. of Replacement Parts List.



6 Replacement Parts List

Important Safety Notice

Components identified by  mark have special characteristics important for safety.
When replacing any of these components, use manufacturer's specified parts.

Note: Printed circuit board assembly with "NLA" is no longer available after production discontinuation of the complete set.

Abbreviation of part name and description

1. Resistor

Example :

ERD25TJ104 **C** 100K Ω , **J**, 1/4W
 Type Allowance

Type	Allowance
C : Carbon	F : $\pm 1\%$
F : Fuse	G : $\pm 2\%$
M : Metal Oxide Metal Film	J : $\pm 5\%$ K : $\pm 10\%$
S : Solid	M : $\pm 20\%$
W : Wire Wound	

2. Capacitor

Example :

ECKF1H103ZF **C** 0.01 μ F, **Z**, 50V
 Type Allowance

Type	Allowance
C : Carbon	C : $\pm 0.25\text{pF}$
E : Electrolytic	D : $\pm 0.5\text{pF}$
P : Polyester Polypropylene	F : $\pm 1\text{pF}$ G : $\pm 3\%$
T : Tantalum	J : $\pm 5\%$ K : $\pm 10\%$ L : $\pm 15\%$ M : $\pm 20\%$ P : $\pm 100\%$, -0% Z : $\pm 80\%$, -20%

6.1. Replacement Parts List

Ref. No.	Part No.	Part Name & Description	Remarks
1	A68LZU185X-E	PICTURE TUBE	△
2	EAS15S17A	SPEAKER	
	J0KGO0000114	CORE CLAMPER	
	N2QAJB000161	REMOTE CONTROL	
3	TBM4G1312	MODEL NAME PLATE	△
4	TBM4G3017	PANASONIC BADGE	
5	TBX4G91111	POWER BUTTON	
	TES4G214	SPRING (POWER BUTTON)	
	TES4G406	COIL SPRING	
	TES4G409-1	SPRING (DOOR)	
	THT4G1011J	SCREW (SPEAKER)	
	THT4G10139	SCREW	
	TJB1726400	75OHM ADAPTOR	
6	TKP4G13461	DOOR	
7	TKP4G13481-2	REAR AV BRACKET	
8	TKU4GA1141	BACK COVER	
9	TLCA005	CONVERGENCE YOKE	
10	TLK4G9083X	ROTATION COIL	△
11	TLK4G9100X	DEGAUSSING COIL	△
12	TLY4G346T	DEFLECTION YOKE	△
13	TMM4G503	RUBBER WEDGE	
	TMM4G902-3	RUBBER WASHER	
NLA	TNP4G375AD	A BOARD	△
NLA	TNP4G376AD	D BOARD	△
NLA	TNP4G377AC	G BOARD	△
NLA	TNP4G378AE	L BOARD	△
	TPD4G1169-2	CUSHION (TOP)	
	TPD4G2148-2	CUSHION (BOTTOM)	
	TPE4G14023	SET COVER	
	TPE4G14024	TOP COVER	
	TQB4G5000	FAN BAG	
	TSMA011	MAGNET	
	TSN63115-4	PURITY MAGNET	
	TSX4G195L-1	AC POWER CORD	△
14	TXFKY01DS06	CABINET ASSY	
	TXFPC01DR26	CARTON	
	CAPACITORS		
C1001	F1J1H103A590	C 0.01UF, 50V	
C102	ECA0JM471B	E 470UF, 6.3V	
C103	ECJ2VB1C104K	C 0.1UF, K, 16V	
C1050	F2A1C101A310	E 100UF, 100V	
C1051	ECUX1H104KBX	C 0.1UF, K, 50V	
C1052	ECJ2FB1E105K	C 1UF, K, 25V	
C1054	ECJ4YB0J476M	C 47UF, M, 6.3V	
C1055	ECJ4YB0J476M	C 47UF, M, 6.3V	
C1056	ECJ2VC1H270J	C 27PF, J, 50V	
C1059	F2A1C102A317	E 1000UF, 16V	
C109	F1J1H102A590	C 1000PF, 50V	
C110	F1J1H103A590	C 1000PF, 50V	
C1102	ECJ2VF1E104Z	C 0.1UF, Z, 25V	
C1103	ECEA1HKAR47	E 0.47UF, 50V	
C1104	ECEA1HKAR47	E 0.47UF, 50V	
C1105	ECEA1HKAR47	E 0.47UF, 50V	
C1106	ECEA1HKAR47	E 0.47UF, 50V	
C1107	ECEA1HKAR47	E 0.47UF, 50V	
C1108	ECEA1HKAR47	E 0.47UF, 50V	
C1109	ECEA1HKAR47	E 0.47UF, 50V	
C111	F2A1HR330016	E 0.33UF, 50V	
C1110	ECEA1HKAR47	E 0.47UF, 50V	
C1115	F2A1H3R3A317	E 3.3UF, 50V	
C1116	ECJ2VF1C104Z	C 0.1UF, Z, 16V	
C112	ECJ2VC1H330J	C 33PF, J, 50V	
C1120	F2A1C1000079	E 10UF, 16V	
C1121	ECJ2VF1E104Z	C 0.1UF, Z, 25V	
C1122	ECJ2VF1H104Z	C 0.1UF, Z, 50V	
C1125	ECJ2VF1C104Z	C 0.1UF, Z, 16V	
C1126	ECJ2VC1H560J	C 56PF, J, 50V	
C1127	ECJ1VC1H560J	C 56PF, J, 50V	
C113	ECJ2VC1H330J	C 33PF, J, 50V	
C1130	ECJ2VF1E104Z	C 0.1UF, Z, 25V	
C1131	ECJ2VF1E104Z	C 0.1UF, Z, 25V	

Ref. No.	Part No.	Part Name & Description	Remarks
C1132	ECJ2VF1E104Z	C 0.1UF, Z, 25V	
C1133	F2A1C1000079	C 10UF, J, 16V	
C1134	F2A1C101A310	E 100UF, 16V	
C1135	ECJ2VF1E104Z	C 0.1UF, Z, 25V	
C1136	ECJ2VF1E104Z	C 0.1UF, Z, 25V	
C1140	ECJ2VF1E104Z	C 0.1UF, Z, 25V	
C1141	ECJ2VF1E104Z	C 0.1UF, Z, 25V	
C1142	ECJ2VF1E104Z	C 0.1UF, Z, 25V	
C1143	ECJ2VF1E104Z	C 0.1UF, Z, 25V	
C1144	ECJ1VC1H101J	C 100PF, J, 50V	
C1145	ECUX1H220JCX	C 22PF, J, 50V	
C1146	ECUX1H220JCX	C 22PF, J, 50V	
C1150	F2A1C1000079	E 10UF, 16V	
C1156	ECJ2VF1E104Z	C 0.1UF, Z, 25V	
C117	F1J1H103A590	E 10UF, 16V	
C1179	ECJ2VF1E104Z	C 0.1UF, Z, 25V	
C118	ECJ2VF1H104Z	C 0.1UF, Z, 50V	
C1180	ECJ2VF1E104Z	C 0.1UF, Z, 25V	
C1181	EEUFC1C221B	E 220UF, 16V	
C1182	ECJ2VF1E104Z	C 0.1UF, Z, 25V	
C1183	F2A1C101A310	E 100UF, 16V	
C1184	F2A1C1000079	E 10UF, 16V	
C1185	ECJ2VF1E104Z	C 0.1UF, Z, 25V	
C119	F2A1C221A338	E 220UF, 16V	
C122	ECJ2FB1H104K	C 0.1UF, K, 50V	
C1240	ECJ1VF1H104Z	C 0.1UF, Z, 50V	
C1241	F2A1C221A338	E 220UF, 16V	
C1242	ECEA1HNI00U	E 10UF, 50V	
C1243	ECEA1HNI00U	E 10UF, 50V	
C1245	ECJ2VF1E104Z	C 0.1UF, Z, 25V	
C125	ECJ2VC1H331J	C 330PF, J, 50V	
C126	ECJ2VC1H561J	C 560PF, J, 50V	
C1261	ECJ2VF1H104Z	C 0.1UF, Z, 50V	
C1262	ECJ2VF1E104Z	C 0.1UF, Z, 25V	
C1263	F2A1C101A310	E 100UF, 100V	
C1264	ECJ2VF1E104Z	C 0.1UF, Z, 25V	
C1265	F2A1C101A310	E 100UF, 100V	
C1266	ECJ2VF1E104Z	C 0.1UF, Z, 25V	
C1267	F2A1C101A310	E 100UF, 100V	
C1268	ECJ1VB1C104K	C 0.1UF, K, 16V	
C1269	F2A1A221A271	E 220UF, 10V	
C130	F1J1H103A590	C 0.01UF, 50V	
C131	F1J1C104A074	C 0.1UF, 16V	
C137	ECJ2VC1H560K	C 56PF, K, 50V	
C138	ECJ2VC1H560K	C 56PF, K, 50V	
C1505	ECJ1VB1C104K	C 0.1UF, K, 16V	
C1506	ECJ1VB1C104K	C 0.1UF, K, 16V	
C1507	ECJ1VB1C104K	C 0.1UF, K, 16V	
C1508	ECJ2VF1C104Z	C 0.1UF, Z, 16V	
C1509	ECJ2VF1C104Z	C 0.1UF, Z, 16V	
C1510	ECJ2VF1C104Z	C 0.1UF, Z, 16V	
C1511	ECJ1VB1C104K	C 0.1UF, K, 16V	
C1512	ECJ1VB1C104K	C 0.1UF, K, 16V	
C1513	ECJ1VB1C104K	C 0.1UF, K, 16V	
C1514	ECJ2VF1E104Z	C 0.1UF, Z, 25V	
C1520	ECJ2VF1C104Z	C 0.1UF, Z, 16V	
C1521	ECJ1VB1C104K	C 0.1UF, K, 16V	
C1522	ECJ1VB1C104K	C 0.1UF, K, 16V	
C1523	ECJ2VF1C104Z	C 0.1UF, Z, 16V	
C1524	ECJ1VB1C104K	C 0.1UF, K, 16V	
C1530	ECJ2VF1E104Z	C 0.1UF, Z, 25V	
C1531	F2A1C101A310	E 100UF, 16V	
C1532	ECJ2VF1E104Z	C 0.1UF, Z, 25V	
C1533	F2A1C101A310	E 100UF, 16V	
C1561	ECEA1CKA470	E 47UF, 16V	
C1562	ECJ2VF1E104Z	C 0.1UF, Z, 25V	
C1563	ECEA1AKS221	E 220UF, 10V	
C1564	ECEA1AKS221	E 220UF, 10V	
C1565	ECEA1AN470U	E 47UF, 10V	
C1701	ECJ2VC1H240J	C 24PF, J, 50V	
C1702	ECJ2VC1H240J	C 24PF, J, 50V	
C1703	ECJ2VF1E104Z	C 0.1UF, Z, 25V	
C1705	F1J1H222A590	C 2200PF, 50V	

Ref. No.	Part No.	Part Name & Description	Remarks
C1706	F2A1C1000079	E 10UF, 16V	
C1709	FLJ1H103A590	C 0.01UF, 50V	
C1710	FLJ1H333A021	C 0.033UF, 50V	
C1711	FLJ1H682A021	C 6800PF, 50V	
C1713	ECEA1CKA100	E 10UF, 16V	
C1714	ECJ2VF1E104Z	C 0.1UF, Z, 25V	
C1716	ECJ2VF1E104Z	C 0.1UF, Z, 25V	
C1722	F1H1H103A013	C 0.01UF, 50V	
C1723	ECJ1VC1H121J	C 120PF, J, 50V	
C1724	FLJ1H222A590	C 0.01UF, 50V	
C1725	ECEA1CKA100	E 10UF, 16V	
C1726	ECJ2VF1E104Z	C 0.1UF, Z, 25V	
C1728	ECJ2VF1C105Z	C 1UF, Z, 16V	
C1729	FLJ1H102A590	C 1000PF, 50V	
C1731	ECJ2VF1E104Z	C 0.1UF, Z, 25V	
C1732	ECJ2VF1E104Z	C 0.1UF, Z, 25V	
C1733	ECJ2VF1E104Z	C 0.1UF, Z, 25V	
C1734	ECJ1VC1H101J	C 100PF, J, 50V	
C1735	ECJ1VC1H101J	C 100PF, J, 50V	
C1736	ECJ1VC1H101J	C 100PF, J, 50V	
C1737	F1H1C224A068	C 0.22UF, 16V	
C1738	F2A1C1000079	E 10UF, 16V	
C1739	F2A1C101A310	E 100UF, 100V	
C1740	ECJ2VF1E104Z	C 0.1UF, Z, 25V	
C1743	F2A1H3R3A317	E 3.3UF, 50V	
C1744	ECJ2VF1E104Z	C 0.1UF, Z, 25V	
C1745	F2A0J221A317	E 220UF, 6.3V	
C1746	F1H1H103A013	C 0.01UF, 50V	
C1747	F1H1H103A013	C 0.01UF, 50V	
C1748	F1H1H103A013	C 0.01UF, 50V	
C1749	F1H1H103A013	C 0.01UF, 50V	
C1752	F1H1H471A013	C 470PF, 50V	
C1753	ECJ2VF1E104Z	C 0.1UF, Z, 25V	
C1754	F2A1A221A271	E 220UF, 10V	
C1755	F2A1A221A271	E 220UF, 10V	
C2009	FLJ1H332A021	C 3300PF, 50V	
C2010	FLJ1H332A021	C 3300PF, 50V	
C2011	FLJ1H102A590	C 1000PF, 50V	
C2129	F2A1C102A317	E 100UF, 16V	
C2131	F2A1C101A310	E 100UF, 100V	
C2201	ECJ2VC1H102J	C 1000PF, J, 50V	
C2202	ECJ2VC1H102J	C 1000PF, J, 50V	
C2210	F2A1C1000079	E 10UF, 16V	
C2211	F2A1C1000079	E 10UF, 16V	
C2212	ECJ2VF1C105Z	C 1UF, Z, 16V	
C2213	F2A1C470A310	E 47UF, 16V	
C2214	F2A1C470A310	E 47UF, 16V	
C2303	ECEA1CKA220	E 22UF, 16V	
C2314	F2A1E470A270	E 47UF, 25V	
C2315	F2A1E222A284	E 2200UF, 25V	
C2320	ECJ2VC1H102J	C 1000PF, J, 50V	
C2321	ECJ2VC1H102J	C 1000PF, J, 50V	
C2322	ECJ2VC1H102J	C 1000PF, J, 50V	
C2323	ECJ2VC1H102J	C 1000PF, J, 50V	
C2350	FLJ1H104A578	C 0.1UF, 50V	
C2351	FLJ1H104A578	C 0.1UF, 50V	
C2352	FLJ1H104A578	C 0.1UF, 50V	
C2353	FLJ1H104A578	C 0.1UF, 50V	
C2360	ECA1CM101B	E 100UF, 16V	
C2363	ECJ2VC1H102J	C 1000PF, J, 50V	
C2364	ECJ2VC1H102J	C 1000PF, J, 50V	
C2369	ECA1CM101B	E 100UF, 16V	
C253	ECEA1HN2R2U	E 2.2UF, 50V	
C257	ECEA1HN2R2U	E 2.2UF, 50V	
C3101	ECJ2VC1H561K	C 560PF, K, 50V	
C3102	ECJ2VC1H561K	C 560PF, K, 50V	
C3121	ECJ2VC1H561K	C 560PF, K, 50V	
C3122	ECJ2VC1H561K	C 560PF, K, 50V	
C3141	ECJ2VC1H561K	C 560PF, K, 50V	
C3142	ECJ2VC1H561K	C 560PF, K, 50V	
C3201	FLJ1H103A590	C 0.01UF, 50V	
C3202	FLJ1H103A590	C 0.01UF, 50V	
C3203	ECJ2VC1H561J	C 560PF, J, 50V	

Ref. No.	Part No.	Part Name & Description	Remarks
C3204	ECJ2VC1H561J	C 560PF, J, 50V	
C3205	ECA1CM101B	E 100UF, 16V	
C3206	ECA1CM101B	E 100UF, 16V	
C3210	FLJ1H103A590	C 0.01UF, 50V	
C3215	F2A1H470A343	E 47UF, 50V	
C3216	F2A1H470A343	E 47UF, 50V	
C3217	ECJ2VB1C104K	C 0.1UF, K, 16V	
C3218	ECJ2VB1C104K	C 0.1UF, K, 16V	
C351	ECJ2VC1H120J	C 12PF, J, 50V	
C352	ECJ2VF1H104Z	C 0.1UF, Z, 50V	
C353	ECUX1H104KBX	C 0.1UF, K, 50V	
C354	ECQE2104KF	P 0.1UF, K, 250V	
C355	F1B2H102A022	C 1000PF, 500V	
C358	ECJ2VF1H104Z	C 0.1UF, Z, 50V	
C360	ECJ2VF1E104Z	C 0.1UF, Z, 25V	
C361	ECJ2VC1H120J	C 12PF, J, 50V	
C362	ECJ2VF1H104Z	C 0.1UF, Z, 50V	
C363	ECUX1H104KBX	C 0.1UF, K, 50V	
C364	ECQE2104KF	P 0.1UF, K, 250V	
C365	F1B2H102A022	C 1000PF, 500V	
C366	F2A1C101A310	E 100UF, 16V	
C368	F2A1C471A339	E 470UF, 16V	
C371	ECJ2VC1H120J	C 12PF, J, 50V	
C372	ECJ2VF1H104Z	C 0.1UF, Z, 50V	
C373	ECUX1H104KBX	C 0.1UF, K, 50V	
C374	ECQE2104KF	P 0.1UF, K, 250V	
C375	F1B2H102A022	C 1000PF, 500V	
C382	F2A1H100A317	E 10UF, 50V	
C383	F1B1H101A130	C 100PF, 50V	
C385	F2A2E1000023	E 10UF, 250V	
C386	ECKW3D152JBR	C 1500PF, J, 2KV	
C401	ECJ2VC1H030C	C 3PF, C, 50V	
C451	FLJ1H102A590	C 1000PF, 50V	
C453	ECJ2FB1H104K	C 0.1UF, K, 50V	
C454	ECJ2FB1H104K	C 0.1UF, K, 50V	
C456	F2A1V2210052	E 220UF, 35V	
C459	ECQB1224KF	P 0.22UF, K, 100V	
C463	F2A1V2210052	E 220UF, 35V	
C4817	F2A1C471A339	E 470UF, 16V	
C4818	F2A1C101A310	E 100UF, 100V	
C4820	ECUX1H101JCX	C 100PF, J, 50V	
C501	F2A1E101A273	E 100UF, 25V	
C502	F2A1C1000079	E 10UF, 16V	
C508	ECJ2VF1H224Z	C 0.22UF, Z, 50V	
C509	F2A1H470A343	E 47UF, 50V	
C510	F2A1H100A317	E 10UF, 50V	
C541	ECKR3A151KBP	C 150PF, K, 1KV	
C542	ECJ1VC1H270J	C 27PF, J, 50V	
C551	ECKW3D221JBR	C 220PF, J, 2KV	
C552	ECWH20102JVY	P 1000PF, J, 2KV	
C558	F2A1V471A141	E 470UF, 35V	
C560	ECQV1393JM	P 0.039UF, J, 100V	
C561	F2A1E471A299	E 470UF, 25V	
C563	F2A2E1000023	E 10UF, 250V	
C564	ECEA2AN2R2S	E 2.2UF, 100V	
C565	ECQB1H273JF	P 0.027UF, J, 50V	
C566	F1B2H331A025	C 470UF, 25V	
C567	F2A1E471A299	C 330PF, 500V	
C568	F1B2H331A025	C 470UF, 25V	
C570	F2A1C101A310	C 330PF, 500V	
C573	ECJ2VC2A221J	E 100UF, 100V	
C574	ECJ2VC2A221J	C 220PF, J, 100V	
C581	FOC2E684A040	C 220PF, J, 100V	
C582	FOC2E684A040	P 0.68UF, 250V	
C583	ECWH20113JVB	P 0.68UF, 250V	
C584	ECKW3D152KBP	P 0.011UF, 2kV	
C587	ECQF4333JZ	P 0.033UF, J, 400V	
C588	FOC2E334A039	P 0.33UF, 250V	
C701	F1B2H471A025	C 470PF, 500V	
C702	ECQE2334KF	P 0.33UF, K, 250V	
C703	ECQE1475KF	P 4.7UF, K, 100V	
C704	ECQE1335KF	P 3.3UF, K, 100V	
C801	FOCAF2240003	CAP 250VAC 0.22UF	△

Ref. No.	Part No.	Part Name & Description	Remarks
C802	F0CAF2240003	CAP 250VAC 0.22UF	△
C812	F1B1H103A013	C 0.01UF, 50V	
C813	F2A1C221A338	E 220UF, 16V	
C814	ECKCNA472ME7	C 4700PF, M,	
C815	ECKCNA152ME7	C 1500PF, M,	
C818	F1A2E331A002	C 3300PF,	
C830	F2B2G4710007	E 470UF, 400V	
C831	ECQM4473JZ	P 0.047UF, J,400V	
C832	ECKW3D151KBR	C 150PF, K, 2KV	
C833	F2A1V100A243	E 10UF, 35V	
C834	ECKW3D102KBP	C 1000PF, K, 2KV	
C835	ECQB1H471JF	P 470PF, J, 50V	
C836	ECQB1H221KF	P 220PF, K, 50V	
C837	F2A1H1R0A317	E 1UF, 50V	
C838	ECQB1H103JF	P 0.01UF, 50V	
C839	ECQB1H683JF	P 0.068UF, J, 50V	
C840	ECKCNA222ME7	C 2200PF, M,	
C849	F2A1H1R0A317	E 1UF, 50V	
C851	F1B2H471A025	C 470PF, 500V	
C852	F1B2H471A025	C 470PF, 500V	
C855	F2B2C4710007	E 470UF, 160V	
C856	F2A1C682A260	E 6800UF, 16V	
C857	F2A1C392A258	E 3900UF, 16V	
C858	F2A1E222A284	E 2200UF, 25V	
C863	ECKW3D471KBP	C 470PF, K, 2KV	
C870	F2A2C1010018	E 100UF, 160V	
C871	ECJ2FB1H104K	C 0.1UF, K, 50V	
C872	F2A1C101A310	E 100UF, 16V	
C873	ECJ2FB1H104K	C 0.1UF, K, 50V	
C874	ECJ2VF1C105Z	C 1UF, Z, 16V	
C875	F2A1C101A310	E 100UF, 16V	
C876	EEUFC1A101B	E 100UF, 10V	
C877	F1J1C104A074	C 0.1UF, 16V	
C878	F1J1C103A074	C 0.1UF, 16V	
C879	ECJ2VF1C105Z	C 1UF, Z, 16V	
C880	ECJ2FB1H104K	C 0.1UF, Z, 50V	
C881	EEUFC1A471B	E 470UF, 10V	
C882	ECJ2VF1C105Z	C 1UF, Z, 16V	
C883	ECJ2VF1C105Z	C 1UF, Z, 16V	
C884	F2A1A471A274	E 470UF, 10V	
C885	F2A1H330A342	E 33UF, 50V	
C886	EEUFC1A471B	E 470UF, 10V	
C887	F1J1C103A074	C 0.01UF, 16V	
C888	F1J1C104A074	C 0.1UF, 16V	
C889	ECJ2VF1C105Z	C 1UF, Z, 16V	
C890	ECJ2VF1C105Z	C 1UF, Z, 16V	
C891	EEUFC1C471B	E 470UF, 16V	
C893	ECJ2VF1H104Z	C 0.1UF, Z, 50V	
C894	ECQB1H153JF	P 0.015UF, J, 50V	
C901	F2A1C101A310	E 100UF, 16V	
C902	ECJ2VF1H103Z	C 0.01UF, Z, 50V	
C904	F1J1H472A590	C 4700PF, 50V	
C905	F2A2C2200010	E 22UF, 160V	
C906	F2A2C2200010	E 22UF, 160V	
C907	F2A2C2200010	E 22UF, 160V	
C908	ECQM4472JZ	P 4700PF, J,400V	
	DIODES		
D1050	B3AGA0000089	DIODE	
D1051	B0BA8R200028	ZENER DIODE	
D1052	B0BA5R700019	ZENER DIODE	
D1059	B0JAME000058	DIODE	
D1120	B0ACCK000012	DIODE	
D1121	MAZ80910HL	ZENER DIODE	
D1122	MAZ80910HL	ZENER DIODE	
D1134	MAZ80390HL	DIODE	
D1135	MAZ80560ML	DIODE	
D1176	MAZ80510LL	DIODE	
D1177	MAZ80510LL	DIODE	
D1178	MAZ80390HL	DIODE	
D1180	MAZ80390HL	DIODE	
D1181	MAZ802400L	DIODE	
D1182	MAZ80560ML	DIODE	
D1240	MAZ80390HL	DIODE	

Ref. No.	Part No.	Part Name & Description	Remarks
D1241	MAZ81200ML	DIODE	
D1242	MAZ81200ML	DIODE	
D1243	MAZ81200ML	DIODE	
D1270	MAZ80390HL	DIODE	
D1271	MAZ802400L	DIODE	
D1502	MAZ80390HL	DIODE	
D1503	MAZ80470LL	DIODE	
D1504	MAZ80470LL	DIODE	
D1505	MAZ80470LL	DIODE	
D1506	MAZ80470LL	DIODE	
D1507	MAZ80470LL	DIODE	
D1508	MAZ80470LL	DIODE	
D1509	MAZ80470LL	DIODE	
D1510	MAZ802400L	DIODE	
D1511	MAZ80470LL	DIODE	
D1512	MAZ80470LL	DIODE	
D1513	MAZ80470LL	DIODE	
D1514	MAZ80470LL	DIODE	
D1515	MAZ80470LL	DIODE	
D1516	MAZ80470LL	DIODE	
D1546	MAZ80510LL	DIODE	
D1547	MAZ80510LL	DIODE	
D1548	MAZ80390HL	DIODE	
D1570	B0ACCK000012	DIODE	
D1702	B0ADCJ000015	DIODE	
D1707	MAZ80390HL	DIODE	
D1708	MAZ80560HL	DIODE	
D1711	B0ACCK000012	DIODE	
D1720	MAZ80390HL	DIODE	
D1730	MAZ80560ML	DIODE	
D1750	B0ACCK000012	DIODE	
D2103	B0HAJL000003	DIODE	
D2107	B0AACK000004	DIODE	
D2108	B0AACK000004	DIODE	
D3101	MA3091LTX	ZENER DIODE	
D3201	B0BA8R200028	ZENER DIODE	
D3202	B0BA8R200028	ZENER DIODE	
D3205	B0BA8R200028	ZENER DIODE	
D3210	B0BA9R100017	ZENER DIODE	
D351	B0ACCK000012	DIODE	
D354	B0ACCK000012	DIODE	
D355	B0AACK000004	DIODE	
D361	B0ACCK000012	DIODE	
D371	B0ACCK000012	DIODE	
D454	B0HAMP000090	DIODE	
D455	B0BA5R100048	ZENER DIODE	
D458	B0HAMP000090	DIODE	
D501	B0AACK000004	DIODE	
D502	B0HAMP000090	DIODE	
D503	B0AACK000004	DIODE	
D504	B0AACK000004	DIODE	
D505	B0BA9R900012	ZENER DIODE	
D512	MA4104J	DIODE	
D513	MA171	DIODE	
D541	B0ADCJ000015	DIODE	
D553	B0HAMP000090	DIODE	
D554	B0HAMP000090	DIODE	
D557	B0HAML000019	DIODE	
D558	B0HAML000019	DIODE	
D559	B0AACK000004	DIODE	
D560	B0HANV000004	DIODE	
D563	B0HAMP000090	DIODE	
D565	B0HAMP000090	DIODE	
D570	MA165	DIODE	
D571	B0AACK000004	DIODE	
D580	B0HARV000007	DIODE	
D581	B0HANP000004	DIODE	
D701	B0BA01600030	ZENER DIODE	
D707	B0HAMP000090	DIODE	
D801	ERZV10V621CS	VARISTOR	△
D802A	B0EBNT000007	DIODE	
D806	B2AAFRO00002	THYRISTOR	
D820	B0AACK000004	DIODE	

Ref. No.	Part No.	Part Name & Description	Remarks
D830	BOHAJL000003	DIODE	
D832	BOEAKT000018	DIODE	
D833	BOHAJL000003	DIODE	
D834	BOBA6R800025	ZENER DIODE	
D835	BOBA8R000010	DIODE	
D840	BOHAJL000003	DIODE	
D841	BOBA01700031	ZENER DIODE	
D842	BOHAJL000003	DIODE	
D843	BOHAJL000003	DIODE	
D844	BOAACK000004	DIODE	
D845	BOAACK000004	DIODE	
D846	BOAACK000004	DIODE	
D847	BOAACK000004	DIODE	
D848	BOAACK000004	DIODE	
D850	BOHAPV000009	DIODE	
D851	BOGACN000002	DIODE	
D852	BOJAPG000029	DIODE	
D853	FMLG12S	DIODE	
D865	BOHAJL000003	DIODE	
D866	BOBA9R100017	ZENER DIODE	
D867	BOHAJL000003	DIODE	
D870	BOBA3R600020	ZENER DIODE	
D875	MTZJ24A	ZENER DIODE	
D876	BOAACK000004	DIODE	
D877	BOBA5R100048	ZENER DIODE	
D878	BOAACK000004	DIODE	
D880	BOAACK000004	DIODE	
D881	BOBA01500052	DIODE	
D882	BOBA01500052	DIODE	
D883	BOBA9R900012	ZENER DIODE	
D884	BOHAJL000003	DIODE	
D885	RK34LFC4	DIODE	
D886	RK34LFC4	DIODE	
D889	BOAACK000004	DIODE	
D901	SR2KNLFA1	DIODE	
D903	BOBA9R900012	ZENER DIODE	
D904	MAZ80510LL	DIODE	
D905	MAZ80510LL	DIODE	
D906	MAZ80510LL	DIODE	
	INTEGRATED CIRCUITS		
IC1101	TVR4G23-8	FLASH MEMORY IC	
IC1202	C1AB00001340	IC	
IC1203	TVR4GAS505	EEPROM IC	
IC1207	COEBE0000388	IC	
IC1260	C0DBEZG00024	IC, POWER SUPPLY	
IC1701	C1AB00002396	IC	
IC2301	C1BA00000375	IC	
IC351	C1AA00000325	IC	
IC361	C1AA00000325	IC	
IC371	C1AA00000325	IC	
IC451	C1AA00000689	IC	
IC4804	AN15530B	IC	
IC830	C5HABZZ00120	IC, HYBRID	
IC862	C0DBAZG00034	IC, POWER SUPPLY	
IC863	C0DBAZG00034	IC, POWER SUPPLY	
IC870	COEAS0000024	IC	
IC871	C0DAEJG00001	IC, POWER SUPPLY	
IC873	C0DAEJG00001	IC, POWER SUPPLY	
IC874	C0DAEJG00001	IC, POWER SUPPLY	
	COILS		
L101	JOJKA0000038	BEAD CORE	
L103	JOJKA0000038	BEAD CORE	
L104	JOJKB0000034	EMI FILTER	
L1050	G0C331KA0073	PEAKING COIL	
L107	G0C100KA0065	PEAKING COIL	
L1110	ELJFC4R7KFB	CHIP INDUCTOR	
L1130	ELJFC4R7KFB	CHIP INDUCTOR	
L1134	G0C180JA0021	COIL	
L116	TALV35VB6R8K	PEAKING COIL	
L1180	JOJKB0000040	COIL	
L1181	G0C4R7JA0021	COIL	
L1240	G0C102JA0055	COIL	

Ref. No.	Part No.	Part Name & Description	Remarks
L1262	G0C4R7JA0021	COIL	
L1263	EXCML20A390U	EMI FILTER	
L150	JOJKA0000038	BEAD CORE	
L151	JOJKA0000038	BEAD CORE	
L1529	G0C4R7JA0021	COIL	
L1530	ELJFC4R7KFB	CHIP INDUCTOR	
L1731	ELJFC4R7KFB	CHIP INDUCTOR	
L1740	JOJKB0000034	EMI FILTER	
L2301	JOJKA0000038	BEAD CORE	
L2302	JOJKA0000038	BEAD CORE	
L2304	JOJKA0000038	BEAD CORE	
L2305	JOJKA0000038	BEAD CORE	
L2308	TSK1045	BEAD CORE	
L2361	JOJKB0000034	EMI FILTER	
L2364	JOJKB0000034	EMI FILTER	
L310	JOJKA0000038	BEAD CORE	
L311	JOJKA0000038	BEAD CORE	
L3111	TSK1045	BEAD CORE	
L3112	TSK1045	BEAD CORE	
L3113	TSK1045	BEAD CORE	
L3114	TSK1045	BEAD CORE	
L3125	TSK1045	BEAD CORE	
L3126	TSK1045	BEAD CORE	
L3145	TSK1045	BEAD CORE	
L3146	TSK1045	BEAD CORE	
L3201	TALV35VB6R8K	PEAKING COIL	
L3202	TALV35VB6R8K	PEAKING COIL	
L3206	JOJKA0000038	BEAD CORE	
L3208	JOJKA0000038	BEAD CORE	
L3210	EXC3BB221H	CHIP BEAD CORE	
L3211	EXC3BB221H	CHIP BEAD CORE	
L3250	G0BYYYG00005	BEAD CORE	
L351	JOJKA0000038	BEAD CORE	
L352	JOJKA0000038	BEAD CORE	
L353	JOJKA0000038	BEAD CORE	
L382	JOJKB0000034	EMI FILTER	
L541	EXC3BB221H	CHIP BEAD CORE	
L582	G0A181H00001	CHOKE COIL	
L583	G0A4R7D00001	COIL	
L584	ELH5L7719	LINEARITY COIL	
L701	JOJKA0000038	BEAD CORE	
L702	G0A102F00002	COIL	
L705	G0A221H00003	CHOKE COIL	
L802	ETQR36T020B	CHOKE COIL	
L803	JOJKB0000034	EMI FILTER	
L804	JOJKA0000038	BEAD CORE	
L805	JOJKA0000038	BEAD CORE	
L806	JOJKA0000038	BEAD CORE	
L807	JOJKA0000038	BEAD CORE	
L835	EXCELSA39E	BEAD CHOKE	
L837	JOJKA0000038	BEAD CORE	
L850	EXCELSA39E	BEAD CHOKE	
L852	JOJKA0000023	BEAD CORE	
L853	JOJKA0000038	BEAD CORE	
L855	JOJKA0000038	BEAD CORE	
L856	TALL08T470KA	INDUCTION COIL	
L857	JOJKA0000038	BEAD CORE	
L860	JOJKA0000038	BEAD CORE	
L861	JOJKA0000038	BEAD CORE	
L870	TLPF095	CHOKE COIL	
L871	TLPF095	CHOKE COIL	
L872	JOJKB0000034	EMI FILTER	
L874	JOJKB0000034	EMI FILTER	
L875	JOJKB0000034	EMI FILTER	
L876	JOJKB0000034	EMI FILTER	
L878	JOJKA0000038	BEAD CORE	
L879	JOJKA0000038	BEAD CORE	
L880	JOJKA0000038	BEAD CORE	
L883	JOJKB0000034	EMI FILTER	
L902	JOJKA0000038	BEAD CORE	
	TRANSISTORS		
Q1001	BIABCE000015	TRANSISTOR	
Q1002	BIABCE000015	TRANSISTOR	

Ref. No.	Part No.	Part Name & Description	Remarks
Q101	B1ABCE000015	TRANSISTOR	
Q102	B1ABCE000015	TRANSISTOR	
Q103	B1ABCE000015	TRANSISTOR	
Q1050	B1ABCE000015	TRANSISTOR	
Q1051	B1ADDF000005	TRANSISTOR	
Q109	B1ABCE000015	TRANSISTOR	
Q1130	B1ABCE000015	TRANSISTOR	
Q1140	B1ABCE000015	TRANSISTOR	
Q120	B1ABCE000015	TRANSISTOR	
Q1560	B1ADDF000005	TRANSISTOR	
Q1561	B1ABCE000015	TRANSISTOR	
Q1562	B1ADDF000005	TRANSISTOR	
Q1563	B1ABCE000015	TRANSISTOR	
Q1701	B1ABCE000015	TRANSISTOR	
Q1702	B1ABCE000015	TRANSISTOR	
Q1703	B1ABCE000015	TRANSISTOR	
Q1704	B1ABCE000015	TRANSISTOR	
Q1705	B1ABCE000015	TRANSISTOR	
Q1706	B1HFCA000006	TRANSISTOR	
Q1707	B1HFCA000006	TRANSISTOR	
Q1708	B1HFCA000006	TRANSISTOR	
Q1711	B1ABCE000015	TRANSISTOR	
Q1712	B1ABCE000015	TRANSISTOR	
Q1719	B1ABCE000015	TRANSISTOR	
Q2101	B1ADCE000012	TRANSISTOR	
Q2201	B1ABCE000015	TRANSISTOR	
Q2202	B1ADCE000012	TRANSISTOR	
Q2203	B1ABCE000015	TRANSISTOR	
Q2204	B1ADCE000012	TRANSISTOR	
Q2205	B1ADCE000012	TRANSISTOR	
Q351	B1ADDF000005	TRANSISTOR	
Q352	B1ADDF000005	TRANSISTOR	
Q4801	B1ADDF000005	TRANSISTOR	
Q503	B1CFML000002	TRANSISTOR	
Q551	2SC6074000RK	TRANSISTOR	
Q552	2SC1473A	TRANSISTOR	
Q557	B1ADDF000005	TRANSISTOR	
Q570	2SA10180QA	TRANSISTOR	
Q608	B1ABCE000015	TRANSISTOR	
Q703	B1MBDLB00002	TRANSISTOR	
Q713	B1ABCE000015	TRANSISTOR	
Q715	B1ABCE000015	TRANSISTOR	
Q820	B1ABCE000015	TRANSISTOR	
Q850	B1ADCE000012	TRANSISTOR	
Q860	B1BCCM000002	TRANSISTOR	
Q861	B1ABCE000015	TRANSISTOR	
Q862	B1BAAN000037	TRANSISTOR	
Q901	B1ADDF000005	TRANSISTOR	
Q902	B1ABCE000015	TRANSISTOR	
Q903	B1BCBL000027	TRANSISTOR	
Q904	B1BABL000029	TRANSISTOR	
	RESISTORS		
R100	ERDS2TJ101	C 100OHM,J, 1/4W	
R1001	ERJ6GEYJ332	M 3.3KOHM,J,1/10W	
R1002	ERJ6GEYJ103	M 10KOHM,J,1/10W	
R1003	ERJ6GEYJ103	M 10KOHM,J,1/10W	
R1004	ERJ6GEYJ101	M 100OHM,J,1/10W	
R1005	ERJ6GEYJ103	M 10KOHM,J,1/10W	
R1020	ERJ6GEYJ102	M 1KOHM,J,1/10W	
R1021	ERJ6GEYJ151	M 150OHM,J,1/10W	
R1022	ERJ6GEY0R00	M 0OHM,J,1/10W	
R103	ERDS2TJ101	C 100OHM,J, 1/4W	
R104	ERDS2TJ102	C 1KOHM,J, 1/4W	
R105	ERDS2TJ102	C 1KOHM,J, 1/4W	
R1050	ERJ6GEYJ271	M 270OHM,J,1/10W	
R1051	ERJ6GEYJ472	M 4.7KOHM,J,1/10W	
R1053	ERJ6GEYJ112	M 1.1KOHM,J,1/10W	
R1056	ERJ6GEYJ103	M 10KOHM,J,1/10W	
R1057	ERJ6GEYJ102	M 1KOHM,J,1/10W	
R1058	ERJ6GEYJ472	M 4.7KOHM,J,1/10W	
R1061	ERJ6ENF2321	F 2.32KOHM,J,1/10W	
R1062	ERJ6ENF2211	F 2.21KOHM,J,1/10W	
R1063	ERJ6ENF3241	M3.24KOHM, 1/10W	

Ref. No.	Part No.	Part Name & Description	Remarks
R1064	ERJ6ENF5111	F 5.11KOHM,J,1/10W	
R1065	ERJ6ENF9091	M9.09KOHM, 1/10W	
R1066	ERJ6ENF2152	M21.5KOHM, 1/10W	
R1067	ERJ6GEYJ390	M 39OHM,J,1/10W	
R107	ERDS2TJ473	C 47KOHM,J, 1/4W	
R108	ERDS2TJ473	C 47KOHM,J, 1/4W	
R110	ERJ6GEYJ101	M 100OHM,J,1/10W	
R1101	ERJ6GEYJ101	M 100OHM,J,1/10W	
R1102	ERJ6GEYJ101	M 100OHM,J,1/10W	
R1103	ERJ6GEYJ101	M 100OHM,J,1/10W	
R1104	ERJ6GEYJ101	M 100OHM,J,1/10W	
R1110	ERJ3GEYJ101	M 100OHM,J,1/16W	
R112	ERJ6GEYJ101	M 100OHM,J,1/10W	
R1120	ERJ6GEYJ101	M 100OHM,J,1/10W	
R1121	ERJ6GEYJ101	M 100OHM,J,1/10W	
R113	ERDS2TJ223	C 22KOHM,J, 1/4W	
R1130	ERJ3GEYJ103	M 10KOHM,J,1/16W	
R1131	ERJ3GEYJ102	M 1KOHM,J,1/16W	
R114	ERJ6GEYJ471	M 470OHM,J,1/10W	
R1140	ERJ3GEYJ332	M 3.3KOHM,J,1/16W	
R1141	ERJ3GEYJ332	M 3.3KOHM,J,1/16W	
R1142	ERJ3GEYJ101	M 100OHM,J,1/16W	
R1143	ERJ3GEYJ101	M 100OHM,J,1/16W	
R1144	ERJ6GEY0R00	M 0OHM,J,1/10W	
R1145	ERJ3GEYJ101	M 100OHM,J,1/16W	
R1146	ERJ3GEYJ472	M 4.7KOHM,J,1/16W	
R1147	ERJ3GEYJ103	M 10KOHM,J,1/16W	
R1148	ERJ3GEYJ103	M 10KOHM,J,1/16W	
R115	ERJ6GEYJ102	M 1KOHM,J,1/10W	
R1150	ERJ3GEYJ103	M 10KOHM,J,1/16W	
R1151	ERJ3GEYJ101	M 100OHM,J,1/16W	
R1153	ERJ3GEY0R00	M 0OHM,J,1/16W	
R1154	ERJ3GEYJ101	M 100OHM,J,1/16W	
R1157	ERJ6GEYJ472	M 4.7KOHM,J,1/10W	
R1158	ERJ6GEY0R00	M 0OHM,J,1/10W	
R116	ERJ6GEYJ101	M 100OHM,J,1/10W	
R1160	ERJ6GEYJ821	M 820OHM,J,1/10W	
R117	ERJ6GEY0R00	M 0OHM,J,1/10W	
R1175	ERJ3GEYJ101	M 100OHM,J,1/16W	
R1176	ERJ3GEYJ101	M 100OHM,J,1/16W	
R1177	ERJ3GEYJ202	M 2KOHM,J,1/16W	
R1178	ERJ3GEYJ202	M 2KOHM,J,1/16W	
R1180	ERJ6GEYJ103	M 10KOHM,J,1/10W	
R1181	ERJ6GEYJ103	M 10KOHM,J,1/10W	
R1185	ERJ3GEYJ220	M 22OHM,J,1/16W	
R1186	ERJ3GEY0R00	M 0OHM,J,1/16W	
R1190	ERJ6GEY0R00	M 0OHM,J,1/10W	
R1191	ERJ3GEY0R00	M 0OHM,J,1/16W	
R1193	ERJ6GEY0R00	M 0OHM,J,1/10W	
R1194	ERJ3GEY0R00	M 0OHM,J,1/16W	
R1195	ERJ3GEY0R00	M 0OHM,J,1/16W	
R1196	ERJ3GEY0R00	M 0OHM,J,1/16W	
R1197	ERJ6GEY0R00	M 0OHM,J,1/10W	
R1198	ERJ3GEY0R00	M 0OHM,J,1/16W	
R1199	ERJ6GEY0R00	M 0OHM,J,1/10W	
R120	ERJ6GEYJ561	M 560OHM,J,1/10W	
R1205	ERJ6GEY0R00	M 0OHM,J,1/10W	
R1206	ERJ6GEY0R00	M 0OHM,J,1/10W	
R1207	ERJ6GEY0R00	M 0OHM,J,1/10W	
R121	ERJ6GEYJ222	M 2.2KOHM,J,1/10W	
R1216	ERJ6GEY0R00	M 0OHM,J,1/10W	
R1217	ERJ6GEY0R00	M 0OHM,J,1/10W	
R1218	ERJ6GEY0R00	M 0OHM,J,1/10W	
R122	ERJ6GEYJ102	M 1KOHM,J,1/10W	
R1222	ERJ6GEYJ101	M 100OHM,J,1/10W	
R1223	ERJ6GEYJ101	M 100OHM,J,1/10W	
R1224	ERJ6GEYJ103	M 10KOHM,J,1/10W	
R1225	ERJ6GEYJ103	M 10KOHM,J,1/10W	
R123	ERJ6GEYJ271	M 270OHM,J,1/10W	
R124	ERJ6GEYJ271	M 270OHM,J,1/10W	
R1240	ERJ6GEYJ101	M 100OHM,J,1/10W	
R1241	ERJ6GEYJ101	M 100OHM,J,1/10W	
R1242	ERJ3GEYJ103	M 10KOHM,J,1/16W	

Ref. No.	Part No.	Part Name & Description	Remarks
R1243	ERJ6GEYJ472	M 4.7KOHM,J,1/10W	
R1244	ERJ3GEY0R00	M 00HM,J,1/16W	
R1247	ERJ6GEYJ750	M 750HM, 1/10W	
R1248	ERJ6GEYJ750	M 750HM, 1/10W	
R125	ERJ6GEY0R00	M 00HM,J,1/10W	
R1251	ERJ6ENF4870	F 4870HM,J,1/10W	
R1252	ERJ6ENF1001	M 1KOHM, 1/10W	
R1253	ERJ3GEYJ562	M 5.6KOHM,J,1/16W	
R1254	ERJ3GEYJ103	M 10KOHM,J,1/16W	
R1255	ERJ6GEY0R00	M 00HM,J,1/10W	
R1258	ERJ3GEY0R00	M 00HM,J,1/16W	
R1261	ERJ6GEYJ101	M 100OHM,J,1/10W	
R1262	ERJ6GEYJ471	M 470OHM,J,1/10W	
R1264	ERJ6GEY0R00	M 00HM,J,1/10W	
R1265	ERJ3GEYJ561	M 560OHM,J,1/16W	
R1266	ERJ3GEYJ103	M 10KOHM,J,1/16W	
R1267	ERJ3GEYJ101	M 100OHM,J,1/16W	
R1268	ERJ3GEYJ101	M 100OHM,J,1/16W	
R1269	ERJ3GEYJ101	M 100OHM,J,1/16W	
R1270	ERJ6GEY0R00	M 00HM,J,1/10W	
R1271	ERJ3GEY0R00	M 00HM,J,1/16W	
R1272	ERJ3GEY0R00	M 00HM,J,1/16W	
R1273	ERJ6GEY0R00	M 00HM,J,1/10W	
R1274	ERJ6GEY0R00	M 00HM,J,1/10W	
R1275	ERJ6GEY0R00	M 00HM,J,1/10W	
R1279	ERJ6GEYJ222	M 2.2KOHM,J,1/10W	
R129	ERDS2TJ101	C 100OHM,J, 1/4W	
R134	ERJ6GEYJ101	M 100OHM,J,1/10W	
R135	ERJ6GEYJ101	M 100OHM,J,1/10W	
R136	ERJ6GEY0R00	M 00HM,J,1/10W	
R1401	ERJ3GEY0R00	M 00HM,J,1/16W	
R1402	ERJ6GEY0R00	M 00HM,J,1/10W	
R1403	ERJ6GEY0R00	M 00HM,J,1/10W	
R1404	ERJ6GEY0R00	M 00HM,J,1/10W	
R1405	ERJ6GEY0R00	M 00HM,J,1/10W	
R1406	ERJ3GEY0R00	M 00HM,J,1/16W	
R1407	ERJ3GEY0R00	M 00HM,J,1/16W	
R1408	ERJ3GEY0R00	M 00HM,J,1/16W	
R1409	ERJ3GEY0R00	M 00HM,J,1/16W	
R141	ERJ6GEYJ102	M 1KOHM,J,1/10W	
R1410	ERJ6GEY0R00	M 00HM,J,1/10W	
R1411	ERJ6GEY0R00	M 00HM,J,1/10W	
R1412	ERJ3GEY0R00	M 00HM,J,1/16W	
R1413	ERJ3GEY0R00	M 00HM,J,1/16W	
R1414	ERJ6GEY0R00	M 00HM,J,1/10W	
R1450	ERJ3GEY0R00	M 00HM,J,1/16W	
R1451	ERJ3GEY0R00	M 00HM,J,1/16W	
R1452	ERJ6GEY0R00	M 00HM,J,1/10W	
R1453	ERJ3GEY0R00	M 00HM,J,1/16W	
R1454	ERJ3GEY0R00	M 00HM,J,1/16W	
R1455	ERJ6GEY0R00	M 00HM,J,1/10W	
R1456	ERJ6GEY0R00	M 00HM,J,1/10W	
R1457	ERJ3GEY0R00	M 00HM,J,1/16W	
R1458	ERJ6GEY0R00	M 00HM,J,1/10W	
R1459	ERJ6GEY0R00	M 00HM,J,1/10W	
R1460	ERJ6GEY0R00	M 00HM,J,1/10W	
R1504	ERJ6GEY0R00	M 00HM,J,1/10W	
R1505	ERJ6GEY0R00	M 00HM,J,1/10W	
R1506	ERJ6GEY0R00	M 00HM,J,1/10W	
R1507	ERJ6GEY0R00	M 00HM,J,1/10W	
R1508	ERJ6GEY0R00	M 00HM,J,1/10W	
R1509	ERJ6GEY0R00	M 00HM,J,1/10W	
R1510	ERJ6GEYJ750	M 750HM, 1/10W	
R1511	ERJ6GEY0R00	M 00HM,J,1/10W	
R1515	ERJ3GEY0R00	M 00HM,J,1/16W	
R1516	ERJ6GEY0R00	M 00HM,J,1/10W	
R1517	ERJ6GEY0R00	M 00HM,J,1/10W	
R1518	ERJ6GEY0R00	M 00HM,J,1/10W	
R1519	ERJ6GEY0R00	M 00HM,J,1/10W	
R1521	ERJ3GEY0R00	M 00HM,J,1/16W	
R1522	ERJ6GEY0R00	M 00HM,J,1/10W	
R1523	ERJ6GEY0R00	M 00HM,J,1/10W	
R1525	ERJ6GEY0R00	M 00HM,J,1/10W	

Ref. No.	Part No.	Part Name & Description	Remarks
R1526	ERJ6GEY0R00	M 00HM,J,1/10W	
R1534	ERJ6GEY0R00	M 00HM,J,1/10W	
R1535	ERJ3GEY0R00	M 00HM,J,1/16W	
R1536	ERJ3GEYJ101	M 100OHM,J,1/16W	
R1537	ERJ3GEYJ103	M 10KOHM,J,1/16W	
R1540	ERJ6GEYJ101	M 100OHM,J,1/10W	
R1541	ERJ3GEYJ101	M 100OHM,J,1/16W	
R1542	ERJ3GEYJ101	M 100OHM,J,1/16W	
R1543	ERJ3GEYJ101	M 100OHM,J,1/16W	
R1545	ERJ3GEYJ101	M 100OHM,J,1/16W	
R1546	ERJ3GEYJ101	M 100OHM,J,1/16W	
R1547	ERJ3GEYJ101	M 100OHM,J,1/16W	
R1548	ERJ3GEYJ103	M 10KOHM,J,1/16W	
R1549	ERJ3GEYJ103	M 10KOHM,J,1/16W	
R1550	ERJ3GEYJ103	M 10KOHM,J,1/16W	
R1555	ERJ3GEYJ101	M 100OHM,J,1/16W	
R1560	ERJ6GEYJ101	M 100OHM,J,1/10W	
R1561	ERJ6GEYJ102	M 1KOHM,J,1/10W	
R1562	ERJ6GEYJ561	M 560OHM,J,1/10W	
R1563	ERJ6GEYJ431	M 430OHM,J,1/10W	
R1564	ERJ6GEYJ471	M 470OHM,J,1/10W	
R1565	ERJ6GEYJ103	M 10KOHM,J,1/10W	
R1566	ERJ6ENF75R0	M 750HM, 1/10W	
R1567	ERJ6GEYJ181	M 180OHM,J,1/10W	
R1568	ERJ6GEYJ223	M 22KOHM,J,1/10W	
R1569	ERJ6GEYJ223	M 22KOHM,J,1/10W	
R1570	ERJ6GEYJ471	M 470OHM,J,1/10W	
R1572	ERJ3GEYJ101	M 100OHM,J,1/16W	
R1573	ERJ3GEY0R00	M 00HM,J,1/16W	
R1574	ERJ6GEY0R00	M 00HM,J,1/10W	
R1575	ERJ6GEY0R00	M 00HM,J,1/10W	
R1576	ERJ3GEY0R00	M 00HM,J,1/16W	
R1577	ERJ3GEY0R00	M 00HM,J,1/16W	
R1578	ERJ6GEY0R00	M 00HM,J,1/10W	
R1579	ERJ6GEY0R00	M 00HM,J,1/10W	
R1580	ERJ3GEY0R00	M 00HM,J,1/16W	
R1581	ERJ6GEY0R00	M 00HM,J,1/10W	
R1582	ERJ6GEY0R00	M 00HM,J,1/10W	
R1585	ERJ6GEY0R00	M 00HM,J,1/10W	
R1586	ERJ6GEY0R00	M 00HM,J,1/10W	
R1587	ERJ6GEY0R00	M 00HM,J,1/10W	
R1588	ERJ6GEY0R00	M 00HM,J,1/10W	
R1589	ERJ6GEY0R00	M 00HM,J,1/10W	
R1590	ERJ6GEY0R00	M 00HM,J,1/10W	
R1591	ERJ6GEY0R00	M 00HM,J,1/10W	
R1592	ERJ6GEY0R00	M 00HM,J,1/10W	
R1593	ERJ3GEY0R00	M 00HM,J,1/16W	
R1594	ERJ3GEY0R00	M 00HM,J,1/16W	
R1596	ERJ6GEY0R00	M 00HM,J,1/10W	
R1597	ERJ6GEY0R00	M 00HM,J,1/10W	
R1701	ERJ3GEY0R00	M 00HM,J,1/16W	
R1704	ERJ3GEY0R00	M 00HM,J,1/16W	
R1705	ERJ6GEY0R00	M 00HM,J,1/10W	
R1706	ERJ3GEYJ272	M 2.7KOHM,J,1/16W	
R1707	ERJ3GEYJ102	M 1KOHM,J,1/16W	
R1708	ERJ3GEYJ101	M 100OHM,J,1/16W	
R1709	ERJ6GEYJ103	M 10KOHM,J,1/10W	
R1710	ERJ6GEYJ563	M 56KOHM,J,1/10W	
R1712	ERJ3GEYJ102	M 1KOHM,J,1/16W	
R1715	ERJ3GEYJ122	M 1.2KOHM,J,1/16W	
R1716	ERJ6GEYJ103	M 10KOHM,J,1/10W	
R1717	ERJ6GEYJ271	M 270OHM,J,1/10W	
R1718	ERJ3GEY0R00	M 00HM,J,1/16W	
R1720	ERJ6GEYJ822	M 8.2KOHM,J,1/10W	
R1721	ERJ6GEYJ682	M 6.8KOHM,J,1/10W	
R1723	ERJ6GEYJ561	M 560OHM,J,1/10W	
R1725	ERJ3GEYJ102	M 1KOHM,J,1/16W	
R1727	ERJ3GEYJ101	M 100OHM,J,1/16W	
R1728	ERJ3GEYJ101	M 100OHM,J,1/16W	
R1730	ERJ6GEY0R00	M 00HM,J,1/10W	
R1732	ERJ3GEYJ331	M 330OHM,J,1/16W	
R1733	ERJ3GEYJ331	M 330OHM,J,1/16W	
R1734	ERJ3GEYJ331	M 330OHM,J,1/16W	

Ref. No.	Part No.	Part Name & Description	Remarks
R1736	ERJ6GEYJ102	M 1KOHM,J,1/10W	
R1737	ERJ3GEYJ620	F 620HM,J,1/10W	
R1738	ERJ6GEYJ271	M 2700HM,J,1/10W	
R1739	ERJ6GEYJ102	M 1KOHM,J,1/10W	
R1740	ERJ3GEYJ620	F 620HM,J,1/10W	
R1741	ERJ6GEYJ271	M 2700HM,J,1/10W	
R1742	ERJ6GEYJ102	M 1KOHM,J,1/10W	
R1743	ERJ3GEYJ620	F 620HM,J,1/10W	
R1744	ERJ6GEYJ271	M 2700HM,J,1/10W	
R1746	ERJ3GEYJ472	M 4.7KOHM,J,1/16W	
R1750	ERJ6GEYJ152	M 1.5KOHM,J,1/10W	
R1751	ERJ3GEYJ244	F 240KOHM,J,1/10W	
R1752	ERJ3GEYJ560	M 560HM,J,1/16W	
R1757	ERJ6GEYJ821	M 8200HM,J,1/10W	
R1759	ERJ3GEYJ101	M 1000HM,J,1/16W	
R1760	ERJ6GEYJ223	M 22KOHM,J,1/10W	
R1762	ERJ6GEYJ562	M 5.6KOHM,J,1/10W	
R1763	ERJ6GEYJ103	M 10KOHM,J,1/10W	
R1766	ERJ6GEY0R00	M 00HM,J,1/10W	
R1769	ERJ3GEY0R00	M 00HM,J,1/16W	
R1780	ERJ6GEYJ332	M 3.3KOHM,J,1/10W	
R1781	ERJ6GEYJ101	M 1000HM,J,1/10W	
R1782	ERJ6GEYJ102	M 1KOHM,J,1/10W	
R1783	ERJ6GEYJ271	M 2700HM,J,1/10W	
R1784	ERJ6GEYJ472	M 4.7KOHM,J,1/10W	
R1788	ERJ6GEYJ122	M 1.2KOHM,J,1/10W	
R2007	ERJ6GEY0R00	M 00HM,J,1/10W	
R2029	ERJ6GEYJ101	M 1000HM,J,1/10W	
R2032	ERJ6GEYJ101	M 1000HM,J,1/10W	
R2042	ERJ6GEY0R00	M 00HM,J,1/10W	
R2043	ERJ6GEY0R00	M 00HM,J,1/10W	
R2110	ERJ6GEY0R00	M 00HM,J,1/10W	
R2112	ERJ6GEYJ102	M 1KOHM,J,1/10W	
R2113	ERJ6GEY0R00	M 00HM,J,1/10W	
R2121	ERDS1TJ101	C 1000HM,J, 1/2W	
R2204	ERJ6GEYJ471	M 4700HM,J,1/10W	
R2205	ERJ6GEYJ102	M 1KOHM,J,1/10W	
R2206	ERJ6GEYJ102	M 1KOHM,J,1/10W	
R2207	ERJ6GEYJ272	M 2.7KOHM,J,1/10W	
R2208	ERJ6GEYJ103	M 10KOHM,J,1/10W	
R2209	ERJ6GEYJ103	M 10KOHM,J,1/10W	
R2210	ERJ6GEYJ471	M 4700HM,J,1/10W	
R2211	ERJ6GEYJ102	M 1KOHM,J,1/10W	
R2212	ERJ6GEYJ102	M 1KOHM,J,1/10W	
R2213	ERJ6GEY0R00	M 00HM,J,1/10W	
R2214	ERJ6GEY0R00	M 00HM,J,1/10W	
R2302	ERX1SZJR18E	M 0.180HM,J,1W	
R2306	ERJ6GEY0R00	M 00HM,J,1/10W	
R2307	ERJ6GEY0R00	M 00HM,J,1/10W	
R2317	ERJ6GEYJ132	M 1.3KOHM,J,1/10W	
R2318	ERG2FJS101E	M 1000HM,J,2W	
R2325	D0AE2R2JA046	C 2.20HM,J, 1/4W	
R2326	D0AE2R2JA046	C 2.20HM,J, 1/4W	
R2328	D0AE2R2JA046	C 2.20HM,J, 1/4W	
R2329	ERJ6GEYJ2R2	M 2.20HM,J,1/10W	
R2360	ERJ6GEYJ221	M 2200HM,J,1/10W	
R2361	ERJ6GEYJ221	M 2200HM,J,1/10W	
R253	ERJ6GEYJ751	M 7500HM,J,1/10W	
R255	ERJ6GEYJ751	M 7500HM,J,1/10W	
R256	ERDS2TJ472	C 4.7KOHM,J, 1/4W	
R257	ERDS2TJ472	C 4.7KOHM,J, 1/4W	
R3100	ERJ6GEYJ101	M 1000HM,J,1/10W	
R3103	ERJ6GEYJ184	M 180KOHM,J,1/10W	
R3104	ERJ6GEYJ184	M 180KOHM,J,1/10W	
R3105	ERJ6GEYJ102	M 1KOHM,J,1/10W	
R3106	ERJ6GEYJ102	M 1KOHM,J,1/10W	
R3107	ERJ6GEYJ750	M 750HM, 1/10W	
R3108	ERJ6GEY0R00	M 00HM,J,1/10W	
R3109	ERJ6GEYJ101	M 1000HM,J,1/10W	
R3110	ERJ6GEYJ102	M 1KOHM,J,1/10W	
R3111	ERJ6GEYJ750	M 750HM, 1/10W	
R3112	ERJ6GEYJ750	M 750HM, 1/10W	
R3113	ERJ6GEY0R00	M 00HM,J,1/10W	

Ref. No.	Part No.	Part Name & Description	Remarks
R3114	ERJ6GEY0R00	M 00HM,J,1/10W	
R3122	ERJ6GEYJ101	M 1000HM,J,1/10W	
R3123	ERJ6GEYJ184	M 180KOHM,J,1/10W	
R3124	ERJ6GEYJ184	M 180KOHM,J,1/10W	
R3125	ERJ6GEYJ102	M 1KOHM,J,1/10W	
R3126	ERJ6GEYJ102	M 1KOHM,J,1/10W	
R3127	ERJ6GEYJ750	M 750HM, 1/10W	
R3128	ERJ6GEY0R00	M 00HM,J,1/10W	
R3129	ERJ6GEYJ101	M 1000HM,J,1/10W	
R3130	ERJ6GEYJ750	M 750HM, 1/10W	
R3131	ERJ6GEYJ750	M 750HM, 1/10W	
R3132	ERJ6GEYJ750	M 750HM, 1/10W	
R3133	ERJ6GEY0R00	M 00HM,J,1/10W	
R3134	ERJ6GEY0R00	M 00HM,J,1/10W	
R3135	ERJ6GEY0R00	M 00HM,J,1/10W	
R3140	ERJ6GEYJ101	M 1000HM,J,1/10W	
R3143	ERJ6GEYJ184	M 180KOHM,J,1/10W	
R3144	ERJ6GEYJ184	M 180KOHM,J,1/10W	
R3145	ERJ6GEYJ102	M 1KOHM,J,1/10W	
R3146	ERJ6GEYJ102	M 1KOHM,J,1/10W	
R3147	ERJ6GEYJ750	M 750HM, 1/10W	
R3148	ERJ6GEY0R00	M 00HM,J,1/10W	
R3149	ERJ6GEYJ101	M 1000HM,J,1/10W	
R3160	ERJ6GEYJ750	M 750HM, 1/10W	
R3161	ERJ6GEYJ750	M 750HM, 1/10W	
R3162	ERJ6GEYJ750	M 750HM, 1/10W	
R3163	ERJ6GEY0R00	M 00HM,J,1/10W	
R3164	ERJ6GEY0R00	M 00HM,J,1/10W	
R3165	ERJ6GEY0R00	M 00HM,J,1/10W	
R3169	ERJ6GEY0R00	M 00HM,J,1/10W	
R3170	ERJ6GEY0R00	M 00HM,J,1/10W	
R3172	ERJ6GEY0R00	M 00HM,J,1/10W	
R3175	ERJ6GEY0R00	M 00HM,J,1/10W	
R3180	ERJ6GEY0R00	M 00HM,J,1/10W	
R3184	ERJ6GEY0R00	M 00HM,J,1/10W	
R3188	ERJ6GEY0R00	M 00HM,J,1/10W	
R3203	ERGLFJS151E	M 1500HM,J,1W	
R3208	ERGLFJS151E	M 1500HM,J,1W	
R3209	D0AE750JA046	C 750HM,J,1/10W	
R3212	ERJ6GEYJ101	M 1000HM,J,1/10W	
R3213	ERJ6GEYJ101	M 1000HM,J,1/10W	
R3214	ERJ6GEYJ682	M 6.8KOHM,J,1/10W	
R3215	ERJ6GEYJ682	M 6.8KOHM,J,1/10W	
R3216	ERJ6GEYJ102	M 1KOHM,J,1/10W	
R3218	ERJ6GEY0R00	M 00HM,J,1/10W	
R3219	ERJ6GEY0R00	M 00HM,J,1/10W	
R3220	ERJ6GEY0R00	M 00HM,J,1/10W	
R3221	ERJ6GEY0R00	M 00HM,J,1/10W	
R3222	ERJ6GEY0R00	M 00HM,J,1/10W	
R3223	ERJ6GEY0R00	M 00HM,J,1/10W	
R3224	ERJ6GEY0R00	M 00HM,J,1/10W	
R350	ERQ12AJ151P	F 1500HM,J,1/2W	
R351	ERJ6GEYJ101	M 1000HM,J,1/10W	
R352	ERJ6GEYJ132	M 1.3KOHM,J,1/10W	
R353	ERJ6GEYJ821	M 8200HM,J,1/10W	
R354	ERJ6GEYJ102	M 1KOHM,J,1/10W	
R355	ERGLSJ683P	M 68KOHM,J,1W	
R356	ERJ6GEY0R00	M 00HM,J,1/10W	
R357	ERJ6GEYJ221	M 2200HM,J,1/10W	
R358	ERC12GK821	S 8200HM,J,1/2W	
R359	ERJ6GEYJ391	M 3900HM,J,1/10W	
R360	ERJ6GEYJ102	M 1KOHM,J,1/10W	
R362	ERJ6GEYJ132	M 1.3KOHM,J,1/10W	
R363	ERJ6GEYJ821	M 8200HM,J,1/10W	
R364	ERJ6GEYJ102	M 1KOHM,J,1/10W	
R365	ERGLSJ683P	M 68KOHM,J,1W	
R366	ERJ6GEY0R00	M 00HM,J,1/10W	
R367	ERJ6GEY0R00	M 00HM,J,1/10W	
R368	ERC12GK821	S 8200HM,J,1/2W	
R369	ERJ6GEY0R00	M 00HM,J,1/10W	
R370	ERQ1CJPLR5S	F 1.50HM, J, 1W	
R371	ERJ6GEY0R00	M 00HM,J,1/10W	
R372	ERJ6GEYJ132	M 1.3KOHM,J,1/10W	

Ref. No.	Part No.	Part Name & Description	Remarks
R373	ERJ6GEYJ821	M 820OHM,J,1/10W	
R375	ERGLSJ683P	M 68KOHM,J,1W	
R376	ERJ6GEY0R00	M 0OHM,J,1/10W	
R378	ERCL2GK821	S 820OHM,J,1/2W	
R380	ERJ6GEYJ392	M 3.9KOHM,J,1/10W	
R381	ERJ6GEYJ162	M 1.6KOHM,J,1/10W	
R451	ERJ6GEYJ223	M 22KOHM,J,1/10W	
R453	ERJ6GEYJ273	M 27KOHM,J,1/10W	
R454	ERJ6GEYJ183	M 18KOHM,J,1/10W	
R455	ERDS2TJ223	C 22KOHM,J, 1/4W	
R458	ERDS1TJ1R0	C 10HM,J, 1/2W	
R460	ERG2FJ181H	M 180OHM,J,2W	
R461	ERX2SJSR68H	M 0.68OHM,J,2W	
R465	ERJ6GEYJ681	M 680OHM,J,1/10W	
R466	DOAE621JA046	C 620OHM,J, 1/4W	
R467	ERJ6GEYJ472	M 4.7KOHM,J,1/10W	
R4817	ERG2FJ100H	M 10OHM,J, 2W	
R4818	ERJ6GEYJ243	M 24KOHM,J,1/10W	
R4819	ERJ6GEYJ101	M 100OHM,J,1/10W	
R4820	ERJ6GEYJ243	M 24KOHM,J,1/10W	
R4821	ERJ6GEYJ333	M 33KOHM,J,1/10W	
R4822	ERJ6GEYJ681	M 680OHM,J,1/10W	
R4823	ERJ6GEY0R00	M 0OHM,J,1/10W	
R4824	ERJ6GEYJ681	M 680OHM,J,1/10W	
R4826	ERJ6GEY0R00	M 0OHM,J,1/10W	
R501	ERJ6GEYJ392	M 3.9KOHM,J,1/10W	
R503	ERJ6GEYJ103	M 10KOHM,J,1/10W	
R504	ERJ6GEYJ753	M 75KOHM,J,1/10W	
R505	ERJ6GEYJ153	M 15KOHM,J,1/10W	
R506	ERJ6GEYJ473	M 47KOHM,J,1/10W	
R507	ERG2SJS330H	M 33OHM,J, 2W	
R509	ERGLSJ222E	M 2.2KOHM,J,1/10W	
R510	ERJ6ENF1152	M11.5KOHM, 1/10W	
R512	ERJ6ENF1132	M11.3KOHM, 1/10W	
R513	ERQ14AJ100E	F 10OHM,J, 1/4W	
R541	ERJ6GEYJ473	M 47KOHM,J,1/10W	
R553	ERX1SJWR47E	M 0.47OHM,J,1/10W	
R556	ERJ6GEYJ124	M 120KOHM,J,1/10W	
R558	ERGLDJ124P	M 120KOHM,J, 1W	
R559	ERJ6GEYJ561	M 560OHM,J,1/10W	
R560	ERJ6GEYJ274	M 270KOHM,J,1/10W	
R561	ERJ6GEYJ223	M 22KOHM,J,1/10W	
R563	ERJ6GEYJ564	M 560KOHM,J,1/10W	
R564	ERJ6GEYJ563	M 56KOHM,J,1/10W	
R567	ERJ6GEYJ124	M 120KOHM,J,1/10W	
R568	ERDS1TJ120	C 12OHM,J,1/2W	
R570	ERJ6GEYJ513	M 51KOHM,J,1/10W	
R571	ERJ6GEYJ103	M 10KOHM,J,1/10W	
R572	ERDS1TJ104	C 100KOHM,J, 1/2W	
R573	ERJ6GEYJ272	M 2.7KOHM,J,1/10W	
R576	ERQ12HKR39P	F 0.39OHM,J,1/2W	
R581	ERQ2CJP151S	F 150OHM,J, 2W	
R702	ERX3FJS3R3D	M 3.3OHM, J, 3W	
R703	DODK3R3J0002	W 3.3OHM, J, 10W	
R704	ERJ6GEYJ203	M 20KOHM,J,1/10W	
R715	ERDS2TJ182	C 1.8KOHM,J, 1/4W	
R716	ERJ6GEYJ680	M 68OHM,J,1/10W	
R745	ERDS2TJ123	C 12KOHM,J, 1/4W	
R746	ERJ6GEYJ102	M 1KOHM,J,1/10W	
R747	ERJ6GEYJ102	M 1KOHM,J,1/10W	
R801	ERCL2ZGK825C	S 8.2MOHM,J,1/2W	△
R802	DOD72R7KA002	W 2.7OHM,J, 7W	△
R803	ERJ6GEYJ681	M 680OHM,J,1/10W	
R804	ERDS1TJ682	C 6.8KOHM,J, 1/2W	
R805	ERG2FJ823H	M 82KOHM,J, 2W	
R806	ERG2SJV104E	M 100KOHM,J,1/10W	
R820	ERJ6GEYJ391	M 390OHM,J,1/10W	
R821	ERJ6GEYJ104	M 100KOHM,J,1/10W	
R822	ERDS1TJ470	C 47OHM,J, 1/2W	
R831	ERG2SJV104E	M 100KOHM,J,1/10W	
R832	ERG2SJV470E	M 47OHM,J, 2W	
R833	DOCL100JA051	M 10OHM,J, 1W	
R834	ERDS2TJ102	C 1KOHM,J, 1/4W	

Ref. No.	Part No.	Part Name & Description	Remarks
R840	RCR100TAJ825	C 8.2MOHM,J, 1W	
R841	ERDS2TJ393	C 39KOHM,J, 1/4W	
R842	ERDS2TJ221	C 220OHM,J, 1/4W	
R843	ERX2FZJR12H	M 0.12OHM,J, 2W	
R844	ERX2FZJR15H	M 0.15OHM,J, 2W	
R845	ERDS2TJ473	C 47KOHM,J, 1/4W	
R846	ERDS2TJ182	C 1.8KOHM,J, 1/4W	
R850	ERJ6GEYJ433	M 43KOHM,J,1/10W	
R851	ERJ6GEYJ103	M 10KOHM,J,1/10W	
R852	ERJ6GEYJ752	M 7.5KOHM,J,1/10W	
R853	ERJ6GEYJ752	M 7.5KOHM,J,1/10W	
R854	ERJ6GEYJ752	M 7.5KOHM,J,1/10W	
R855	ERJ6GEYJ752	M 7.5KOHM,J,1/10W	
R860	ERG3FJ470H	M 47OHM,J, 3W	
R862	ERDS2TJ104	C 100KOHM,J, 1/4W	
R863	ERDS2TJ152	C 1.5KOHM,J, 1/4W	
R865	ERDS1TJ100	C 10OHM,J, 1/2W	
R867	ERDS1TJ751	C 750OHM,J, 1/2W	
R868	ERDS1TJ122	C 1.2KOHM,J, 1/2W	
R869	ERJ6GEYJ153	M 15KOHM,J,1/10W	
R870	ERJ6GEYJ103	M 10KOHM,J,1/10W	
R871	ERJ6GEYJ272	M 2.7KOHM,J,1/10W	
R872	ERJ6GEYJ103	M 10KOHM,J,1/10W	
R873	ERJ6GEYJ472	M 4.7KOHM,J,1/10W	
R874	ERJ6ENF1873	F 187KOHM,J,1/10W	
R875	ERJ6ENF3012	F 30.1KOHM,J,1/10W	
R876	ERJ6ENF5761	M5.76KOHM, 1/10W	
R877	ERJ6ENF2401	M 2.4KOHM, 1/10W	
R879	ERJ6ENF4301	M 4.3KOHM, 1/10W	
R880	ERJ6GEYJ473	M 47KOHM,J,1/10W	
R886	ERG2SJV273E	M 27KOHM,J, 2W	
R887	ERJ6ENF5362	M53.6KOHM, 1/10W	
R888	ERJ6ENF2401	M 2.4KOHM, 1/10W	
R889	ERJ6ENF3092	F 30.9KOHM,J,1/10W	
R891	ERJ6GEYJ473	M 47KOHM,J,1/10W	
R895	ERJ6GEYJ103	M 10KOHM,J,1/10W	
R896	ERDS2TJ472	C 4.7KOHM,J, 1/4W	
R897	ERJ6ENF1203	F 120KOHM,J,1/10W	
R898	ERJ6ENF3902	M 39KOHM, J, 1/10W	
R901	ERJ6GEYJ471	M 470OHM,J,1/10W	
R902	ERDS2TJ122	C 1.2KOHM,J, 1/4W	
R903	DOAE100JA046	C 100HM,J, 1/4W	
R904	ERG3FJ331H	M 330OHM,J, 3W	
R905	ERJ6GEYJ471	M 470OHM,J,1/10W	
R906	ERDS2TJ122	C 1.2KOHM,J, 1/4W	
R907	ERDS2TJ124	C 120KOHM,J, 1/4W	
R908	ERDS2TJ124	C 120KOHM,J, 1/4W	
R909	DOAE100JA046	C 100HM,J, 1/4W	
R910	ERG2SJV181E	M 180OHM,J, 2W	
R914	ERJ6GEYJ331	M 330OHM,J,1/10W	
R915	ERC14GK220	S 22OHM,J,1/10W	
R916	ERJ6GEY0R00	M 0OHM,J,1/10W	
R917	ERJ6GEYJ471	M 470OHM,J,1/10W	
R918	ERJ6GEYJ471	M 470OHM,J,1/10W	
R919	ERJ6GEYJ471	M 470OHM,J,1/10W	
	TRANSFORMERS		
T501	ETH19Y212BZ	H DRIVE TRANS	△
T551	ZTFP14508A	FLYBACK TRANS	△
T801	ETS42AE3M6AD	SWITCHING TRANS	△
	OTHERS		
A1	K1KA64BA0149	CONNECTOR	
A2	K1KA08BA0055	CONNECTOR	
CF806A	D4DDE9R00002	POSISTOR	△
D1	K1KB64AA0096	CONNECTOR	
D3	K1KA07AA0190	CONNECTOR	
D15	K1KA04AA0093	CONNECTOR	
D16	K1KA05AA0190	CONNECTOR	
D17	K1KA03AA0190	CONNECTOR	
D26	K1KA09AA0190	CONNECTOR	
D27	K1KA09AA0190	CONNECTOR	
F801	K5D502BLA016	FUSE	△
FL1134	ELKE103FA	NOISE FILTER	
FL1180	ELKE103FA	NOISE FILTER	

Ref. No.	Part No.	Part Name & Description	Remarks
FL1270	ELKE103FA	NOISE FILTER	
FL1501	ELKE103FA	NOISE FILTER	
FL1706	ELKE103FA	NOISE FILTER	
FL1713	J0HAAB000012	EMI FILTER	
G14	K1KA04AA0190	CONNECTOR	
G16	K1KA05AA0190	CONNECTOR	
G26	K1KA09AA0190	CONNECTOR	
G27	K1KA09AA0190	CONNECTOR	
JA1	ERJ6GEY0R00	M 0OHM,J,1/10W	
JA1	ERJ6GEY0R00	M 0OHM,J,1/10W	
JA10	ERJ6GEY0R00	M 0OHM,J,1/10W	
JA11	ERJ6GEY0R00	M 0OHM,J,1/10W	
JA12	ERJ6GEY0R00	M 0OHM,J,1/10W	
JA13	ERJ6GEY0R00	M 0OHM,J,1/10W	
JA14	ERJ6GEY0R00	M 0OHM,J,1/10W	
JA4	ERJ6GEY0R00	M 0OHM,J,1/10W	
JA5	ERJ6GEY0R00	M 0OHM,J,1/10W	
JA8	ERJ6GEY0R00	M 0OHM,J,1/10W	
JA9	ERJ6GEY0R00	M 0OHM,J,1/10W	
JK3101	K4BK35A00002	AV TERMINAL	
JK3201	K4BK20B00001	AV TERMINAL	
JSD030	ERJ6GEY0R00	M 0OHM,J,1/10W	
JSD089	ERJ6GEY0R00	M 0OHM,J,1/10W	
JSD090	ERJ6GEY0R00	M 0OHM,J,1/10W	
L2	K1KA08AA0190	CONNECTOR	
L3	K1KA07AA0190	CONNECTOR	
L8	K1ZZ00001301	CONNECTOR	
L11	K1KA03AA0190	CONNECTOR	
L12	K1ZZ00001300	CONNECTOR	
LF801	G0B153H00004	LINE FILTER	△
LF802	G0B153H00004	LINE FILTER	△
PC841	B3PAA0000261	PHOTO COUPLER	△
RL801	K6B1CDA00028	RELAY	△
RM1050	B3RAD0000120	REMOCON RECEIVER	
RT1	K1KA03AA0190	CONNECTOR	
SC381	K3B09CA00014	CRT SOCKET	△
SW1061	EVQ11G05R	SWITCH	
SW1062	EVQ11G05R	SWITCH	
SW1063	EVQ11G05R	SWITCH	
SW1064	EVQ11G05R	SWITCH	
SW1065	EVQ11G05R	SWITCH	
SW1066	EVQ11G05R	SWITCH	
SW801	ESB92DA1B	SWITCH	△
TU101	ENG39A02GRF	TUNER	△
X1140	H0D202500006	CRYSTAL OSC	
X1701	H1A5004A0002	CRYSTAL OSC	