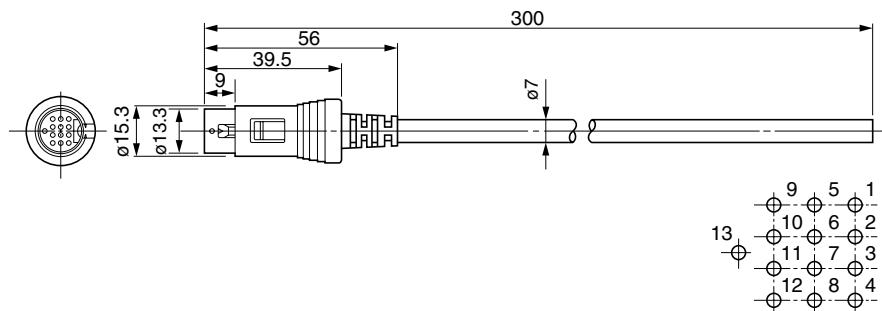


Plug / Socket Cord (with Lock)

LLM1360-0300

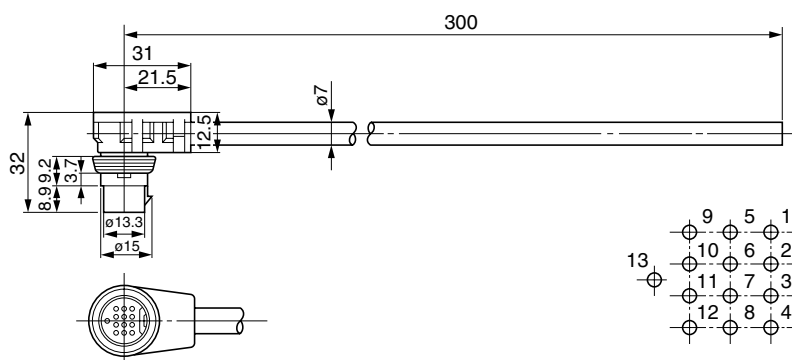
13P Plug



Pin Number

LLM1359-0300

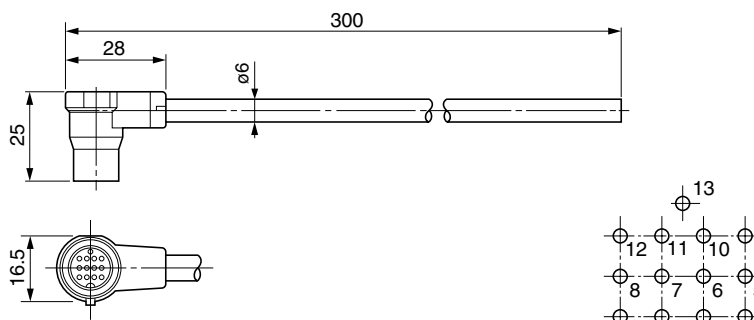
13P Plug



Pin Number

LLM4301-0300

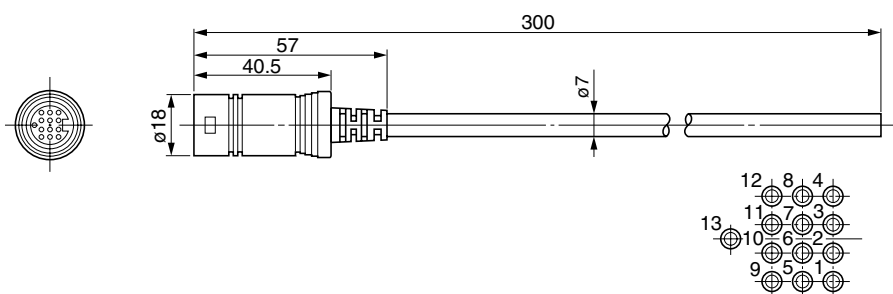
13P Plug



Pin Number

LLF1356-0300

13P Socket



Pin Number