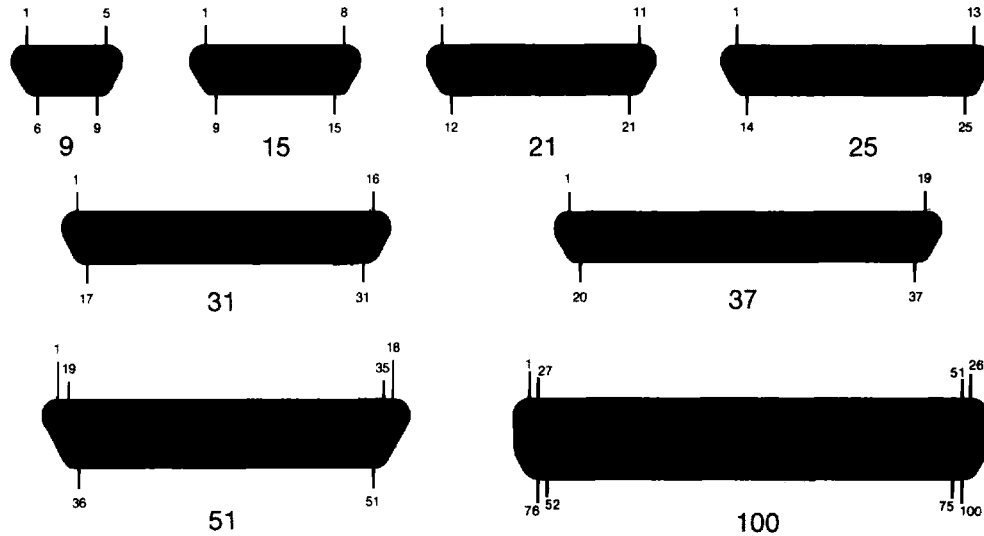


Series EP and EM

Contact Arrangements

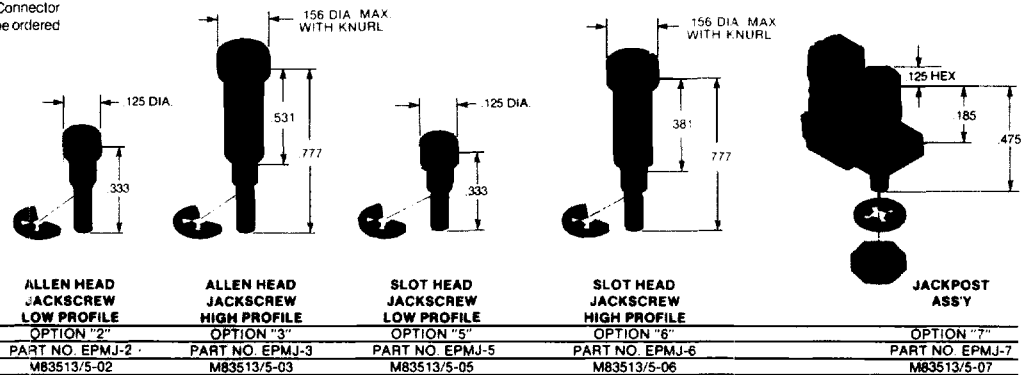
(Face view of plug, pin side. Use reverse order for receptacle, socket side.)



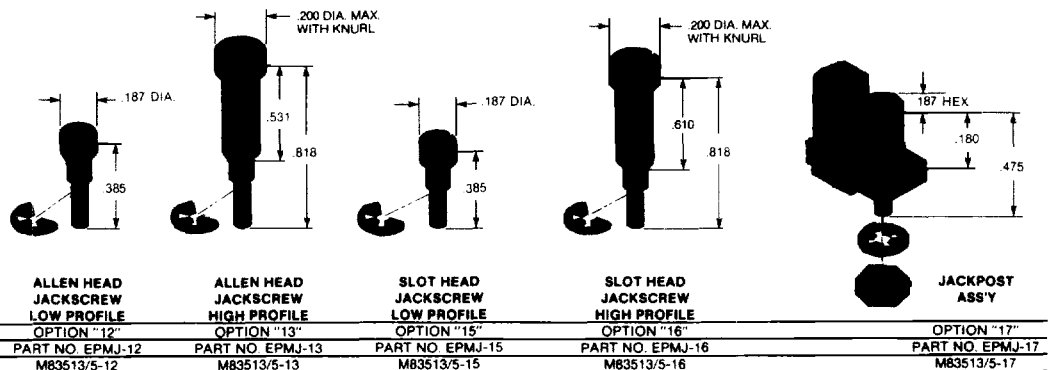
NOTE: Contact identification numbers are for reference only and do not appear on insulators.

Jackscrows & Jackpost Assemblies

(May be ordered as part of EP or EM Series Connector Assembly — see ordering code options. May also be ordered separately by part number as shown below.)

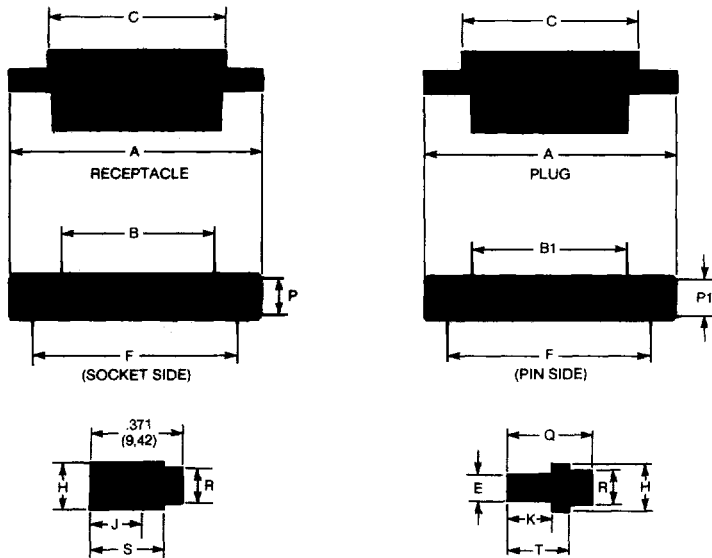


THE ABOVE HARDWARE IS USED ON EP AND EM 9 THRU 51 POSITIONS



THE ABOVE HARDWARE IS USED ON EP AND EM 100 POSITION ONLY.

SERIES
EP
PLASTIC D
CONNECTORS
MIL-C-83513

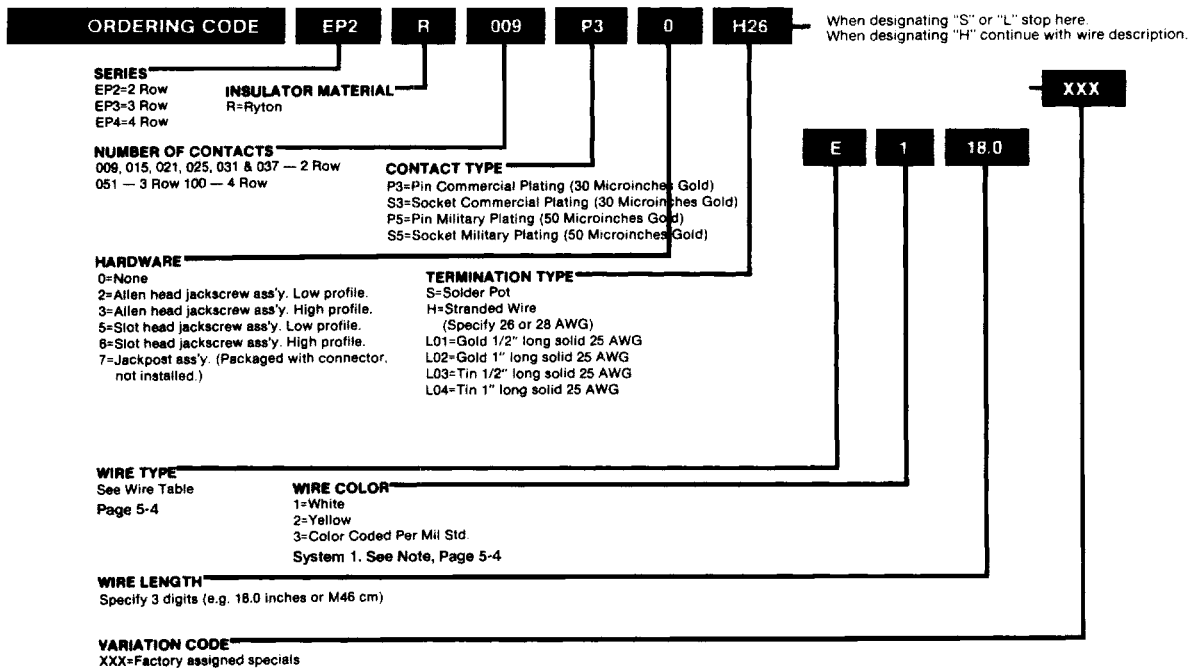


Size Chart EP Series

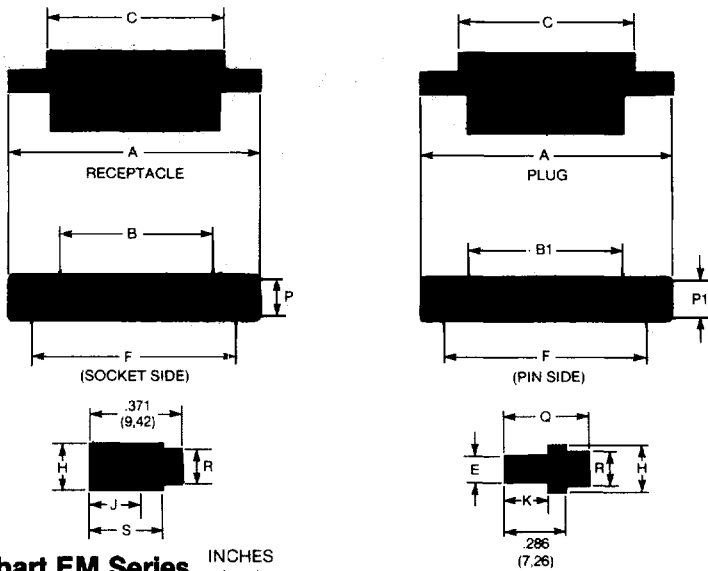
Size	A Max.	B Min.	B1 Max.	C Max.	E Max.	F Nom.	H Max.	J Min.	K Max.	P Min.	P1 Max.	Q Max.	R Max.	S Max.	T Min.
009	.785 (19,94)	.296 (7,52)	.292 (7,42)	.405 (10,29)	.130 (3,30)	.565 (14,35)	.215 (5,46)	.185 (4,70)	.204 (5,18)	.139 (3,53)	.130 (3,30)	.391 (9,93)	.170 (4,32)	.279 (7,09)	.286 (7,20)
015	.935 (23,75)	.446 (11,33)	.442 (11,23)	.555 (14,10)	.130 (3,30)	.715 (18,16)	.215 (5,46)	.185 (4,70)	.204 (5,18)	.139 (3,53)	.130 (3,30)	.391 (9,93)	.170 (4,32)	.279 (7,09)	.286 (7,26)
021	1.085 (27,56)	.596 (15,14)	.592 (15,04)	.705 (17,91)	.130 (3,30)	.865 (21,97)	.215 (5,46)	.185 (4,70)	.204 (5,18)	.139 (3,53)	.130 (3,30)	.391 (9,93)	.170 (4,32)	.279 (7,09)	.286 (7,26)
025	1.185 (30,10)	6.96 (17,68)	.692 (17,58)	.805 (20,45)	.130 (3,30)	.965 (24,51)	.215 (5,46)	.185 (4,70)	.204 (5,18)	.139 (3,53)	.130 (3,30)	.391 (9,93)	.170 (4,32)	.279 (7,09)	.286 (7,26)
031	1.335 (33,91)	.846 (21,49)	.842 (21,39)	.955 (24,26)	.130 (3,30)	1.115 (28,32)	.215 (5,46)	.185 (4,70)	.204 (5,18)	.139 (3,53)	.130 (3,30)	.391 (9,93)	.170 (4,32)	.279 (7,09)	.286 (7,26)
037	1.485 (37,72)	.996 (25,30)	.992 (25,20)	1.105 (28,07)	.130 (3,30)	1.265 (32,13)	.215 (5,46)	.185 (4,70)	.204 (5,18)	.139 (3,53)	.130 (3,30)	.391 (9,93)	.170 (4,32)	.279 (7,09)	.286 (7,26)
051	1.435 (36,45)	.946 (24,03)	.942 (23,93)	1.048 (26,82)	.173 (4,39)	1.215 (30,86)	.250 (6,35)	.180 (4,57)	.199 (5,05)	.182 (4,62)	.173 (4,40)	.395 (10,03)	.220 (5,59)	.280 (7,11)	.280 (7,11)
*100	2.165 (45,72)	1.343 (43,11)	1.341 (34,06)	1.455 (36,96)	2.19 (5,56)	1.800 (45,72)	.301 (2,65)	.180 (4,57)	.199 (5,05)	.221 (5,61)	.219 (5,56)	.395 (10,03)	.265 (6,73)	.274 (6,96)	.293 (7,44)

INCHES
(mm)

* Not Mil Qualified



SERIES
EM
METAL D
CONNECTORS
MIL-C-83513



Size Chart EM Series INCHES (mm)

Size	A Max.	B Min.	B1 Max.	C Max.	E Max.	F Nom.	H Max.	J Min.	K Max.	P Min.	P1 Max.	Q Max.	R Max.	S Min.
009	.785 (19,94)	.335 (8,51)	.331 (8,41)	.405 (10,29)	.181 (4,60)	.565 (14,35)	.305 (7,75)	.199 (5,05)	.186 (4,72)	.188 (4,77)	.182 (4,62)	.416 (10,57)	.270 (6,86)	.300 (7,62)
015	.935 (23,75)	.485 (12,32)	.481 (12,22)	.555 (14,10)	.181 (4,60)	.715 (18,16)	.305 (7,75)	.199 (5,05)	.186 (4,72)	.188 (4,77)	.182 (4,62)	.416 (10,57)	.270 (6,68)	.300 (7,62)
021	1.085 (27,56)	.635 (16,13)	.631 (16,03)	.705 (17,91)	.181 (4,60)	.865 (21,97)	.305 (7,75)	.199 (5,05)	.186 (4,72)	.188 (4,77)	.182 (4,62)	.416 (10,57)	.270 (6,68)	.300 (7,62)
025	1.185 (30,10)	.735 (18,67)	.731 (18,57)	.805 (20,45)	.181 (4,60)	.965 (24,51)	.305 (7,75)	.199 (5,05)	.186 (4,72)	.188 (4,77)	.182 (4,62)	.416 (10,57)	.270 (6,68)	.300 (7,62)
031	1.335 (33,91)	.885 (22,48)	.881 (22,38)	.955 (24,26)	.181 (4,60)	1.115 (28,32)	.305 (7,75)	.199 (5,05)	.186 (4,72)	.188 (4,77)	.182 (4,62)	.416 (10,57)	.270 (6,68)	.300 (7,62)
037	1.485 (37,72)	1.035 (26,29)	1.031 (26,19)	1.105 (28,07)	.181 (4,60)	1.265 (32,13)	.305 (7,75)	.199 (5,05)	.186 (4,72)	.188 (4,77)	.182 (4,62)	.416 (10,57)	.270 (6,68)	.300 (7,62)
051	1.435 (36,45)	.984 (24,99)	.981 (24,92)	1.048 (36,96)	.224 (5,69)	1.215 (30,86)	.350 (8,89)	.196 (4,98)	.185 (4,70)	.228 (5,79)	.224 (5,69)	.410 (10,41)	.310 (7,87)	.296 (7,52)
100	2.160 (54,86)	1.386 (35,20)	1.383 (35,13)	1.426 (36,22)	.270 (6,86)	1.800 (45,72)	.385 (9,78)	.195 (4,96)	.183 (4,68)	.272 (6,91)	.270 (6,86)	.410 (10,41)	.344 (8,74)	.288 (7,32)

ORDERING CODE **EM2** **R** **C** **009** **P5** **0** **H26** When designating "S" or "L" stop here.
When designating "H" continue with wire description

SERIES
EM2=2 Row
EM3=3 Row
EM4=4 Row

INSULATOR MATERIAL
R=Ryton
RS=Ryton w th Silicone Seal Interface-Socket only

METAL SHELL FINISH
C=Cadmium/Yellow Chromate
E=Electroless Nickel

NUMBER OF CONTACTS
009, 015, 021, 025, 031 & 037 — 2 Row
051 — 3 Row 100 — 4 Row

CONTACT TYPE
P3=Pin Commercial Plating (30 Microinches Gold)
S3=Socket Commercial Plating (30 Microinches Gold)
P5=Pin Military Plating (50 Microinches Gold)
S5=Socket Military Plating (50 Microinches Gold)

HARDWARE
0=None
2=Allen head jackscrew ass'y. Low profile.
3=Allen head jackscrew ass'y. High profile.
5=Slot head jackscrew ass'y. Low profile.
6=Slot head jackscrew ass'y. High profile.
7=Jackpost ass'y. (Package with connector, not installed.)

TERMINATION TYPE
S=Solder Pot
H=Stranded Wire
(Specify 26 or 28 AWG)
L01=Gold 1/2" long solid 25 AWG
L02=Gold 1" long solid 25 AWG
L03=Tin 1/2" long solid 25 AWG
L04=Tin 1" long solid 25 AWG

WIRE TYPE
See Wire Table
Page 5-4

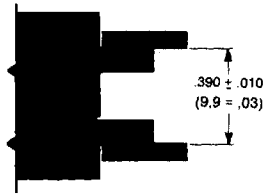
WIRE COLOR
1=White
2=Yellow
3=Color Coded Per Mil Std. 681
System 1. See Note, Page 5-4

WIRE LENGTH
Specify 3 digits (e.g. 18.0 inches or M46 cm)

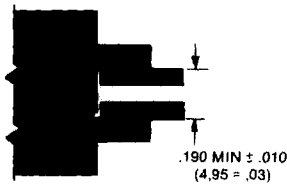
VARIATION CODE
XXX=Factory Assigned Specials

XXX
E 1 18.0

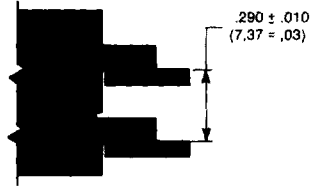
Panel to Panel Dimensions



FRONT MOUNT

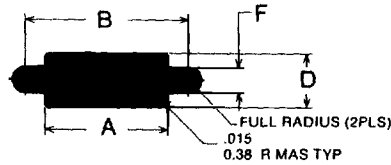


REAR MOUNT

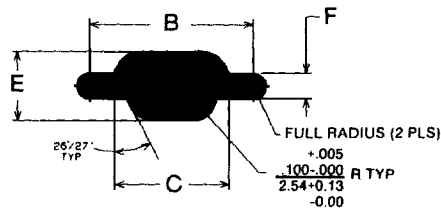


PIN FRONT
SOCKET REAR

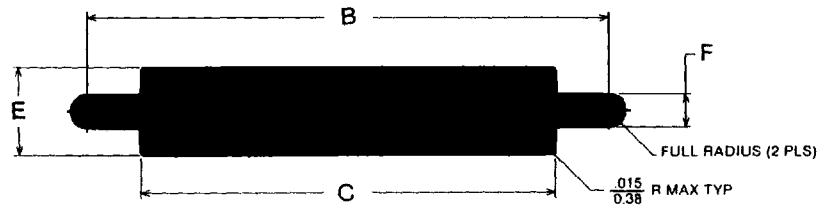
PANEL CUTOUTS



RECOMMENDED PANEL CUTOUT
FRONT MOUNTING



RECOMMENDED PANEL CUTOUT
REAR MOUNTING



RECOMMENDED PANEL CUTOUT
REAR MOUNTING
(FOR 100 POSITION)

NO. OF POSITIONS	A	B	C	D	E	F
9	.395 10.03	.570 14.48	.401 10.19	.272 6.91	.252 6.40	.089 2.26
15	.545 13.84	.720 18.29	.551 14.00	.272 6.91	.252 6.40	.089 2.26
21	.695 17.65	.870 22.10	.701 17.81	.272 6.91	.252 6.40	.089 2.26
25	.795 20.19	.970 24.64	.801 20.38	.272 6.91	.252 6.40	.089 2.26
31	.945 24.00	1.120 28.45	.951 24.16	.272 6.91	.252 6.40	.089 2.26
37	1.095 27.81	1.270 32.26	1.101 27.97	.272 6.91	.252 6.40	.089 2.26
51	1.040 26.42	1.220 30.99	1.051 26.70	.312 7.92	.300 7.62	.089 2.26
100	1.458 37.03	1.805 45.85	1.500 38.10	.350 8.89	.382 8.94	.116 3.00

EM SERIES

NO. OF POSITIONS	A	B	C	D	E	F
9	.409 10.39	.505 14.35	.378 9.60	.175 4.45	.221 5.51	.089 2.26
15	.559 14.20	.715 18.16	.528 13.41	.175 4.45	.221 5.51	.089 2.28
21	.709 18.01	.865 21.97	.678 17.22	.175 4.45	.221 5.51	.089 2.25
25	.809 20.55	.965 24.51	.780 19.81	.175 4.45	.221 5.61	.089 2.28
31	.959 24.36	1.115 28.32	.928 23.57	.175 4.45	.221 5.51	.089 2.25
37	1.109 28.17	1.265 32.13	1.078 27.38	.175 4.45	.221 5.51	.089 2.28
51	1.054 26.77	1.215 30.86	1.025 26.04	.224 5.69	.261 6.63	.089 2.26
100	1.458 37.03	1.800 45.72	1.428 36.27	.270 6.86	.305 7.75	.115 2.92

EP SERIES