

**PLEASE CHECK WWW.MOLEX.COM FOR LATEST PART INFORMATION**

**Part Number:** [0510520600](#)  
**Status:** **Active**  
**Description:** 2.50mm (.098") Pitch Cable Holder, Vertical, for Ribbon Cable, 6 Circuits

**Documents:**

[3D Model](#) [Product Specification PS-51052-002 \(PDF\)](#)  
[Drawing \(PDF\)](#) [RoHS Certificate of Compliance \(PDF\)](#)  
[Product Specification PS-51052-001 \(PDF\)](#)

**General**

Product Family Ribbon Cable / Wire Trap Connectors  
 Series [51052](#)  
 Component Type One Piece  
 Glow-Wire Compliant No  
 Product Name Board-In, Cable Holder

**Physical**

Circuits (Loaded) 6  
 Color - Resin Natural  
 Entry Angle Vertical  
 Lock to Mating Part None  
 Material - Resin Nylon  
 Number of Rows 1  
 PCB Retention Yes  
 PCB Thickness Recommended (in) 0.062 In  
 PCB Thickness Recommended (mm) 1.60 mm  
 Packaging Type Bag  
 Pitch - Mating Interface (in) 0.098 In  
 Pitch - Mating Interface (mm) 2.50 mm  
 Polarized to Mating Part N/A  
 Polarized to PCB No  
 Stackable No  
 Surface Mount Compatible (SMC) No  
 Temperature Range - Operating -40°C to +105°C  
 Wire Insulation Diameter 1.70mm (.067") max.  
 Wire Size AWG 24, 26  
 Wire/Cable Type Ribbon Cable

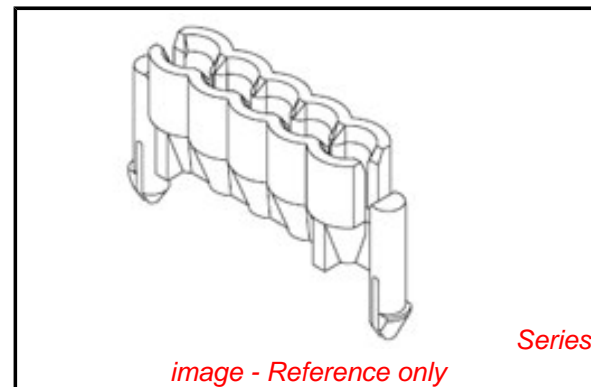
**Electrical**

Current - Maximum per Contact N/A  
 Voltage - Maximum N/A

**Material Info**

**Reference - Drawing Numbers**

Product Specification PS-51052-001, PS-51052-002, RPS-51052-003  
 Sales Drawing SD-51052-001



**EU RoHS**

**ELV and RoHS  
 Compliant**  
**REACH SVHC  
 Contains SVHC: No**  
**Halogen-Free  
 Status  
 Not Reviewed**

**China RoHS**



**Need more information on product  
 environmental compliance?**

Email [productcompliance@molex.com](mailto:productcompliance@molex.com)  
 For a multiple part number RoHS Certificate of  
 Compliance, [click here](#)

Please visit the [Contact Us](#) section for any  
 non-product compliance questions.

**Search Parts in this Series**

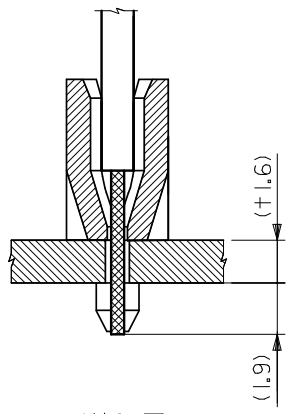
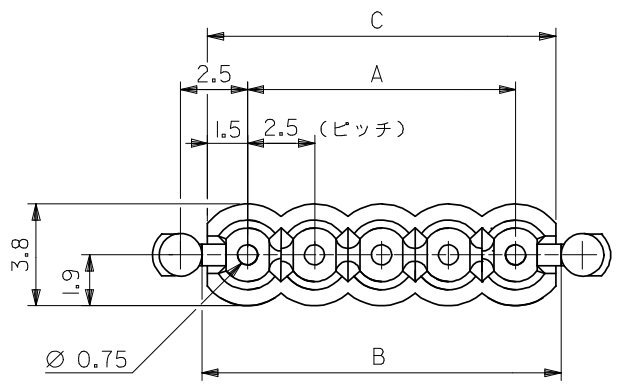
[51052Series](#)

**Mates With**

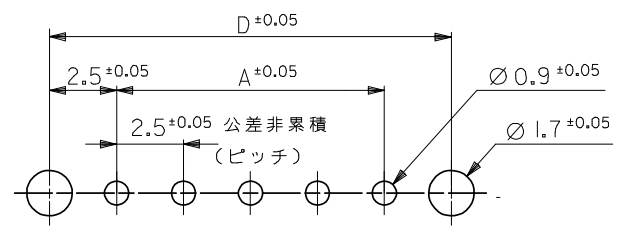
N/A

**Use With**

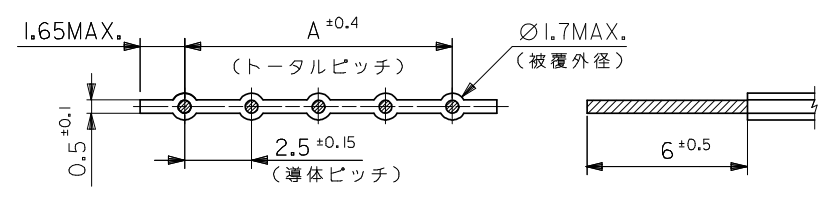
Topcoated ribbon cable



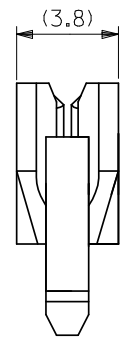
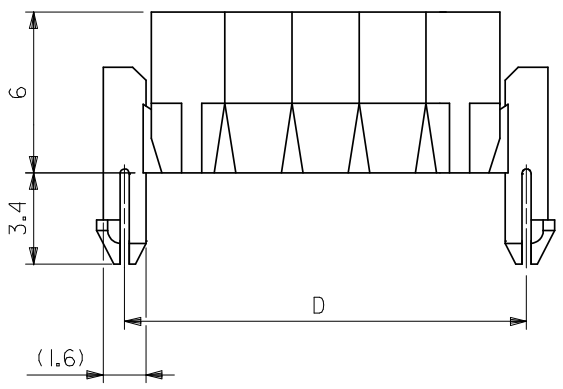
電線挿入図



基板取付穴推奨寸法  
(+1.6±0.05)



適合電線推奨寸法

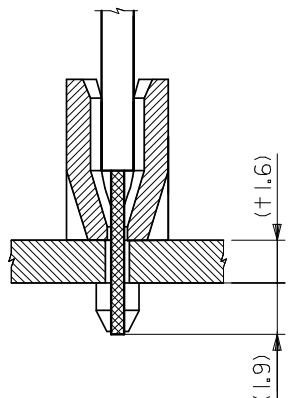
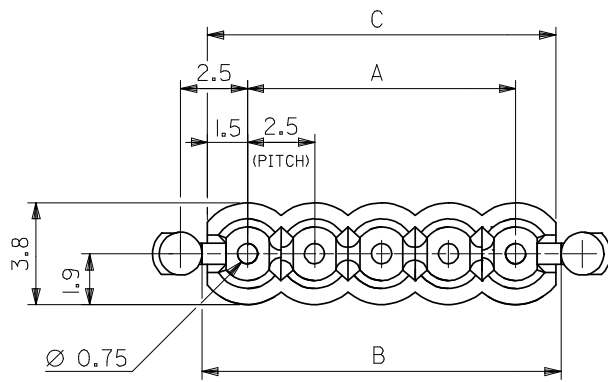


注記

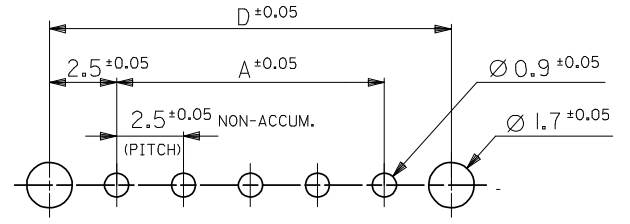
1. 材料：ナイロン66, UL 94V-2
2. 適合電線：2.5mmピッチリボンケーブル  
AWG #24 ~ 26 錫コート平行線
3. 生産国 (トレードマーク)：日本 (MXJ-大和, MXH-塩谷)  
マレーシア (MXL)

42.5	40.5	40.9	37.5	VO	<del>51052-1600</del>	16
40.0	38.0	38.4	35.0	VO	<del>1500</del>	15
37.5	35.5	35.9	32.5	VO	<del>1400</del>	14
35.0	33.0	33.4	30.0	VO	<del>1300</del>	13
32.5	30.5	30.9	27.5	VO	<del>1200</del>	12
30.0	28.0	28.4	25.0	VO	<del>1100</del>	11
27.5	25.5	25.9	22.5	VO	<del>1000</del>	10
25.0	23.0	23.4	20.0	VO	<del>0900</del>	9
22.5	20.5	20.9	17.5	VO	<del>0800</del>	8
20.0	18.0	18.4	15.0	VO	<del>0700</del>	7
17.5	15.5	15.9	12.5	VO	<del>0600</del>	6
15.0	13.0	13.4	10.0	VO	<del>0500</del>	5
12.5	10.5	10.9	7.5	VO	<del>0400</del>	4
10.0	8.0	8.4	5.0		<del>-0300</del>	3
7.5	5.5	5.9	2.5	VO	<del>51052-0200</del>	2
D	C	B	A		ENG. NO.	極数

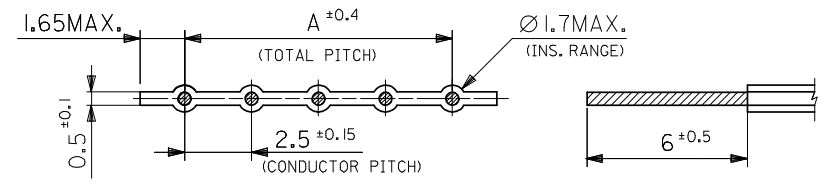
REVISED EC NO: J2008-2948 DRW: NAKAMURAA 2008/03/31 CHK: T. HARUYAMA 2008/04/22 APPR: NUKITA 2008/06/03	GENERAL TOLERANCES (UNLESS SPECIFIED)		DIMENSION STYLE MM ONLY		SCALE 5:1	DESIGN UNITS METRIC	THIRD ANGLE PROJECTION
	10 UNDER	±0.2	DRAWN BY T. ITOH		TITLE 2.5MM PITCH CABLE HOLDER (FOR 6 MM STRIP LENGTH)		
	10 OVER 30 UNDER	±0.25	CHECKED BY M. FUKUSHIMA		DATE '97/7/4		
	30 OVER	±0.3	APPROVED BY M. FUKUSHIMA		DATE '97/7/4		
	ANGULAR	±3°	MATERIAL NO.		DOCUMENT NO.		
DRAFT WHERE APPLICABLE MUST REMAIN WITHIN DIMENSIONS		SEE TABLE		SD-51052-001			SHEET NO. 1 OF 2
THIS DRAWING CONTAINS INFORMATION THAT IS PROPRIETARY TO MOLEX INCORPORATED AND SHOULD NOT BE USED WITHOUT WRITTEN PERMISSION							



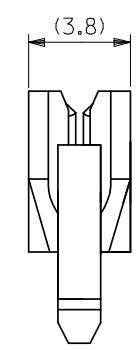
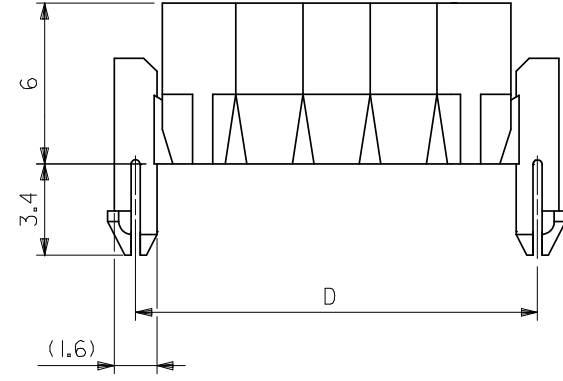
SECT.(CABLE ASS'Y)



RECOMMENDED P.C. BOARD HOLE DIM.  
( $\pm 1.6 \pm 0.05$ )



RECOMMENDED WIRE DIM.



NOTES

- MATERIAL : NYLON 66, UL 94V-2
- APPLIED WIRE : 2.5mm PITCH RIBBON CABLE  
AWG#24~26  
TIN TOP COATED WIRE
- PLACE OF MANUFACTURE (TRADE-MARK) :  
JAPAN (MXJ-YAMATO, MXH-SHIOYA)  
MALAYSIA (MXL)

42.5	40.5	40.9	37.5	VO	<del>51052-1600</del>	16
40.0	38.0	38.4	35.0	VO	<del>1500</del>	15
37.5	35.5	35.9	32.5	VO	<del>1400</del>	14
35.0	33.0	33.4	30.0	VO	<del>1300</del>	13
32.5	30.5	30.9	27.5	VO	<del>1200</del>	12
30.0	28.0	28.4	25.0	VO	<del>1100</del>	11
27.5	25.5	25.9	22.5	VO	<del>1000</del>	10
25.0	23.0	23.4	20.0	VO	<del>0900</del>	9
22.5	20.5	20.9	17.5	VO	<del>0800</del>	8
20.0	18.0	18.4	15.0	VO	<del>0700</del>	7
17.5	15.5	15.9	12.5	VO	<del>0600</del>	6
15.0	13.0	13.4	10.0	VO	<del>0500</del>	5
12.5	10.5	10.9	7.5	VO	<del>0400</del>	4
10.0	8.0	8.4	5.0		<del>-0300</del>	3
7.5	5.5	5.9	2.5	VO	<del>51052-0200</del>	2
D	C	B	A		ENG. NO.	CKT.

REVISED EC NO: J2008-2948 DRW: NAKAMURAA 2008/03/31 CHKD: T. HARUYAMA 2008/04/22 APPR: NUKITA 2008/06/03	GENERAL TOLERANCES (UNLESS SPECIFIED)		DIMENSION STYLE MM ONLY		SCALE 5:1	DESIGN UNITS METRIC	THIRD ANGLE PROJECTION	
	10 UNDER	$\pm 0.2$	DRAWN BY T. ITOH		TITLE 2.5MM PITCH CABLE HOLDER (FOR 6MM STRIP LENGTH)			
	10 OVER 30 UNDER	$\pm 0.25$	CHECKED BY M. FUKUSHIMA		DATE '97/7/4			
	30 OVER	$\pm 0.3$	APPROVED BY M. FUKUSHIMA		DATE '97/7/4			
	ANGULAR	$\pm 3^\circ$	MATERIAL NO. SEE TABLE		DOCUMENT NO. SD-51052-001		SHEET NO. 2 OF 2	
DRAFT WHERE APPLICABLE MUST REMAIN WITHIN DIMENSIONS		THIS DRAWING CONTAINS INFORMATION THAT IS PROPRIETARY TO MOLEX INCORPORATED AND SHOULD NOT BE USED WITHOUT WRITTEN PERMISSION						